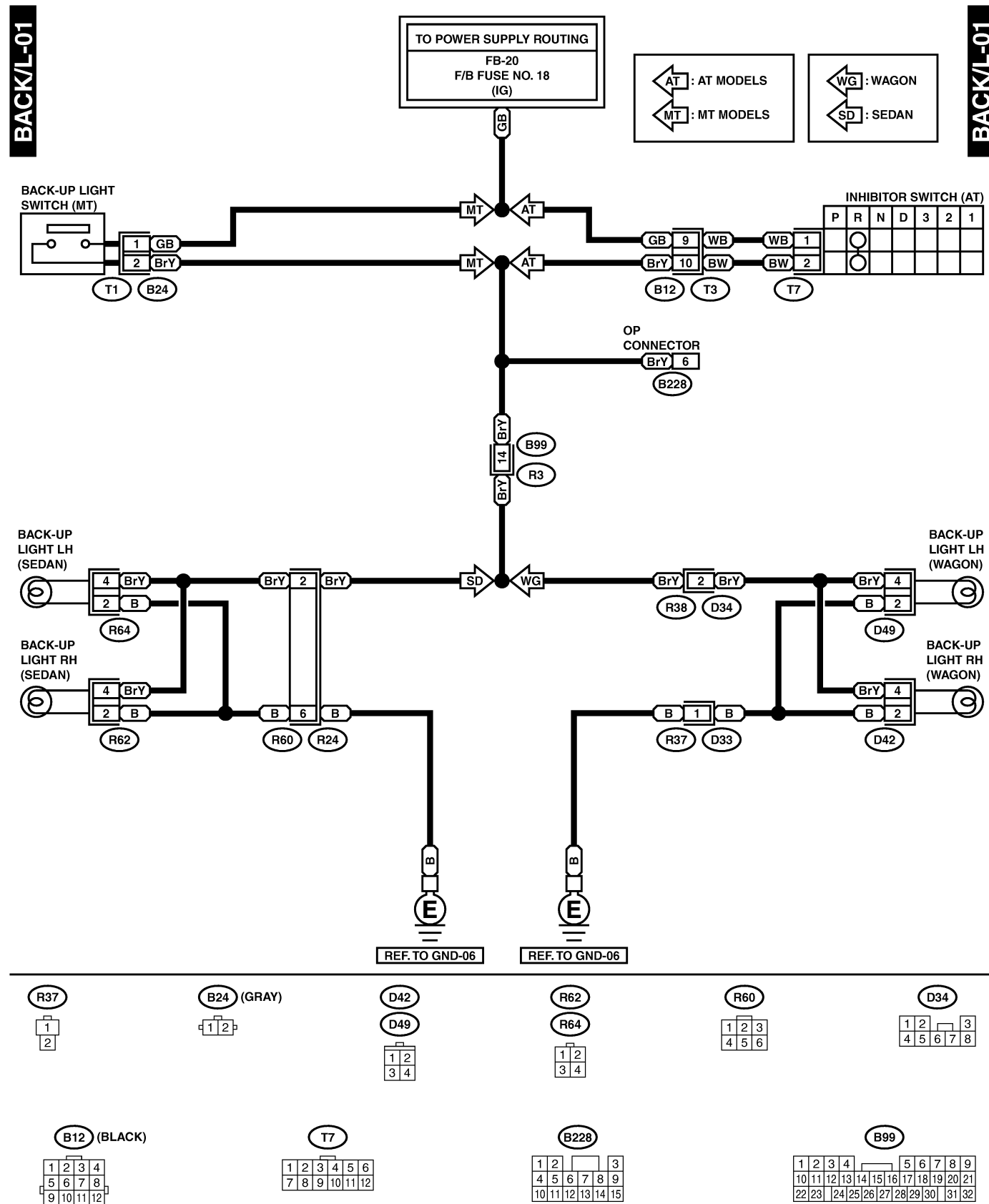


# BACK-UP LIGHT SYSTEM

Wiring System

## 22. Back-up Light System S903414

### A: SCHEMATIC S903414A21



BU29-21