

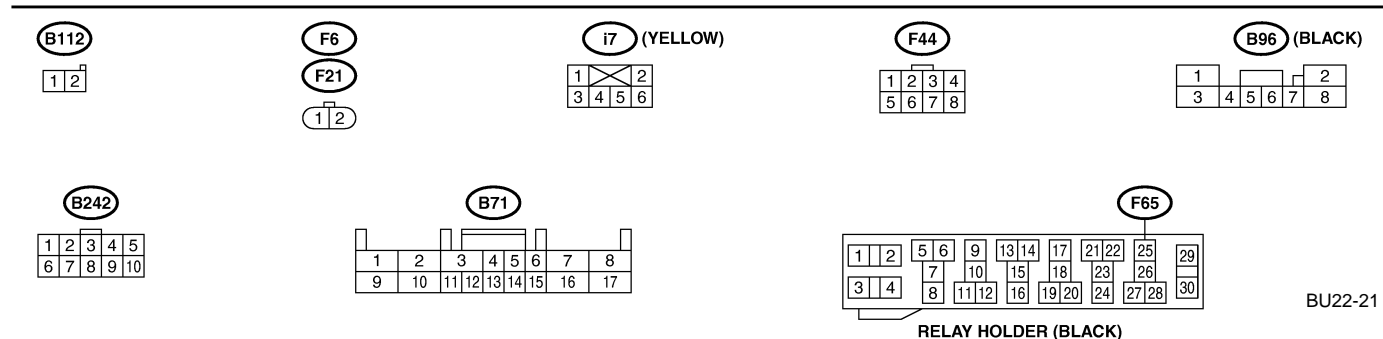
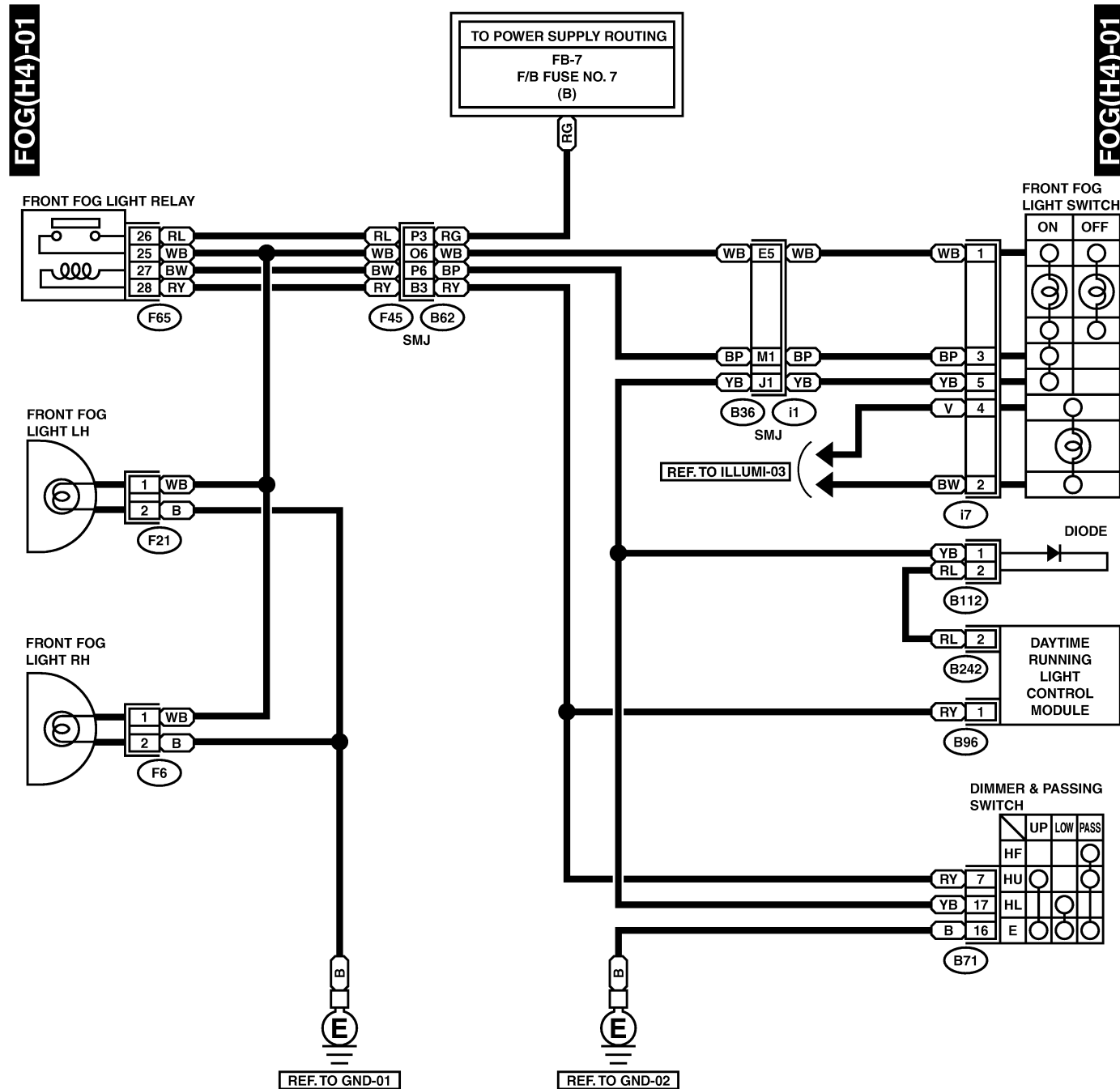
# FRONT FOG LIGHT SYSTEM

Wiring System

## 24. Front Fog Light System S903473

### A: SCHEMATIC S903473A21

#### 1. 4-CYLINDER ENGINE MODEL S903473A2103



BU22-21

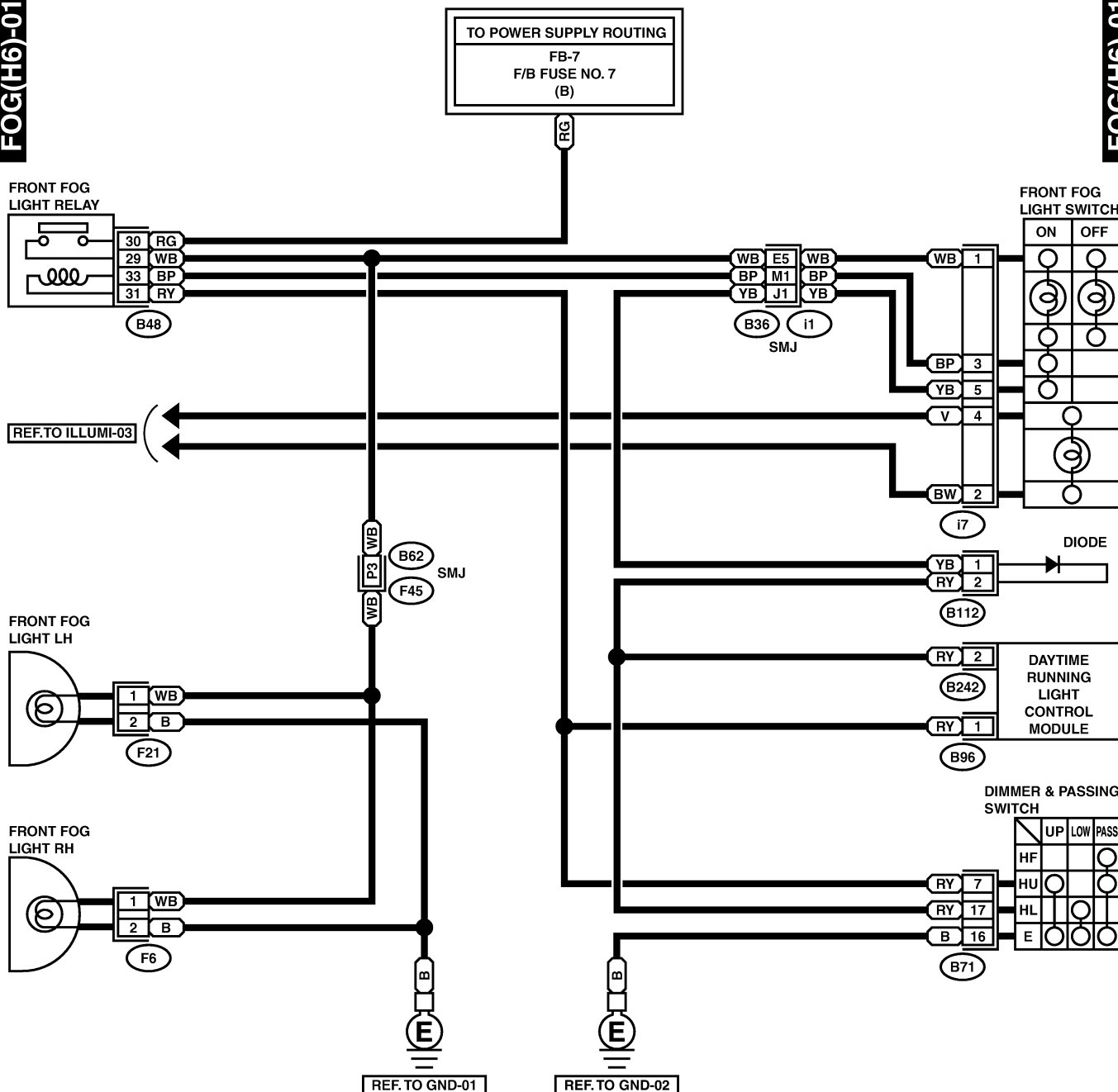
# FRONT FOG LIGHT SYSTEM

Wiring System

## 2. 6-CYLINDER ENGINE MODEL S903473A2104

FOG(H6)-01

FOG(H6)-01



B112



F6



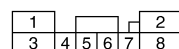
i7 (YELLOW)



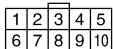
F44



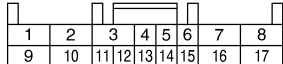
B96 (BLACK)



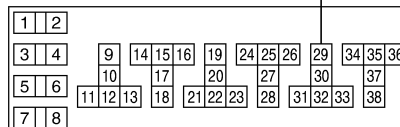
B242



B71



B48



RELAY BLOCK (BLACK)