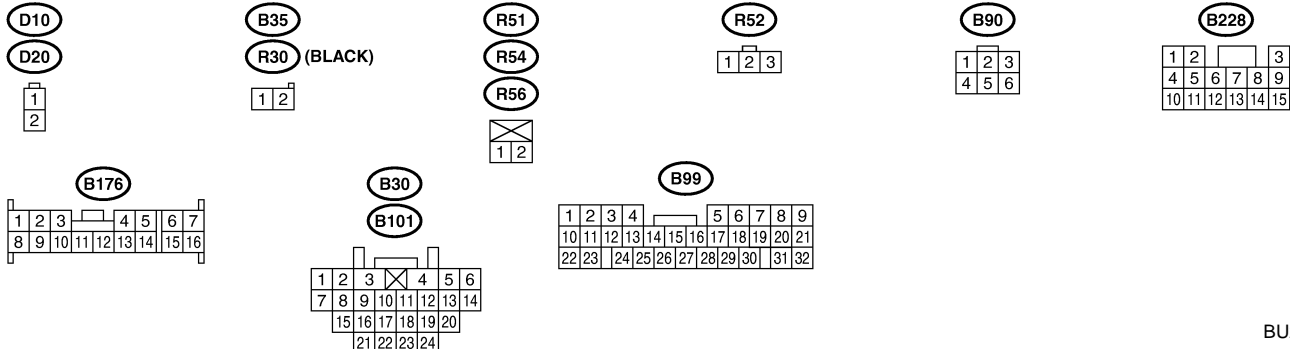
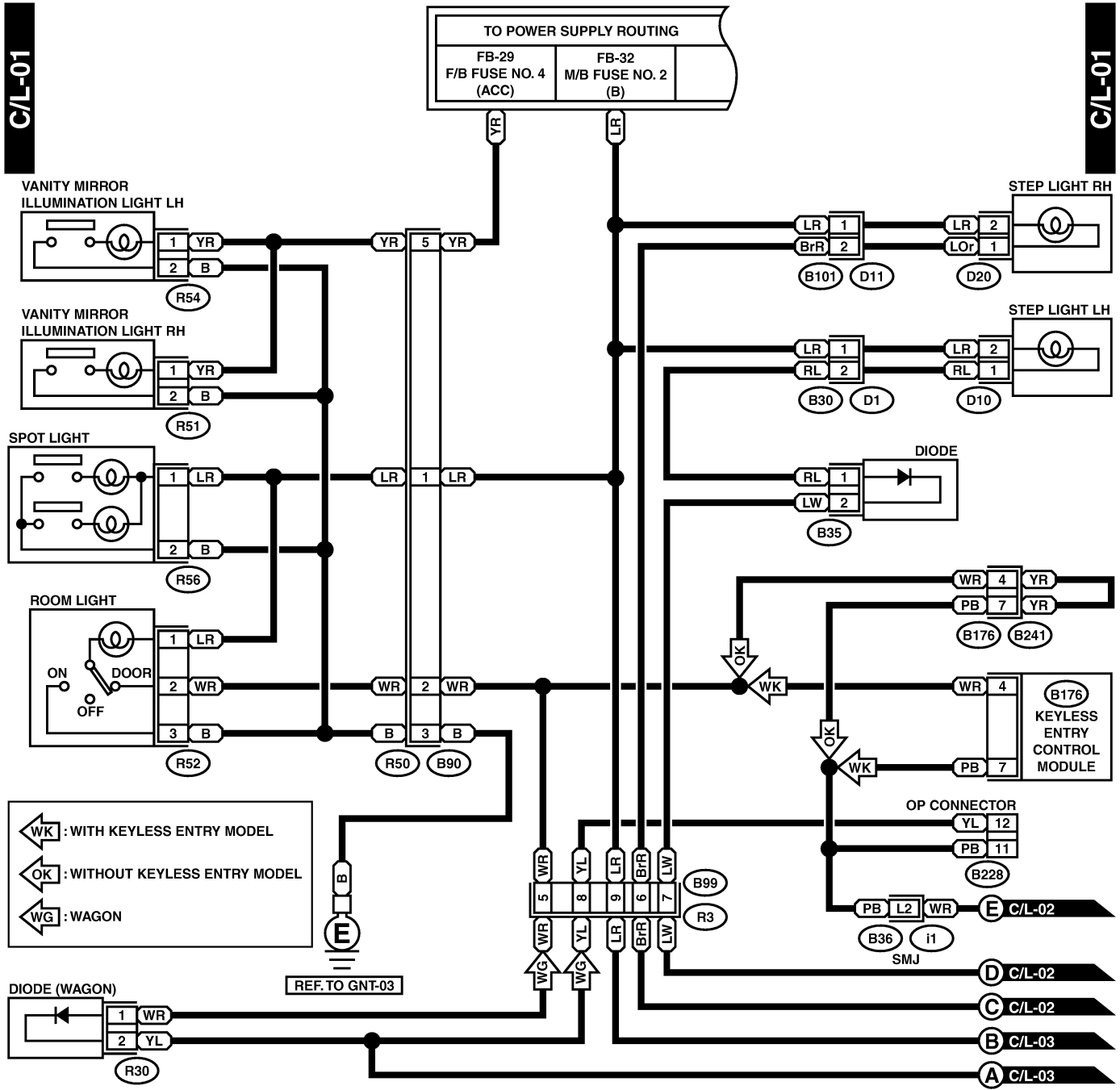


# IN COMPARTMENT LIGHT SYSTEM

Wiring System

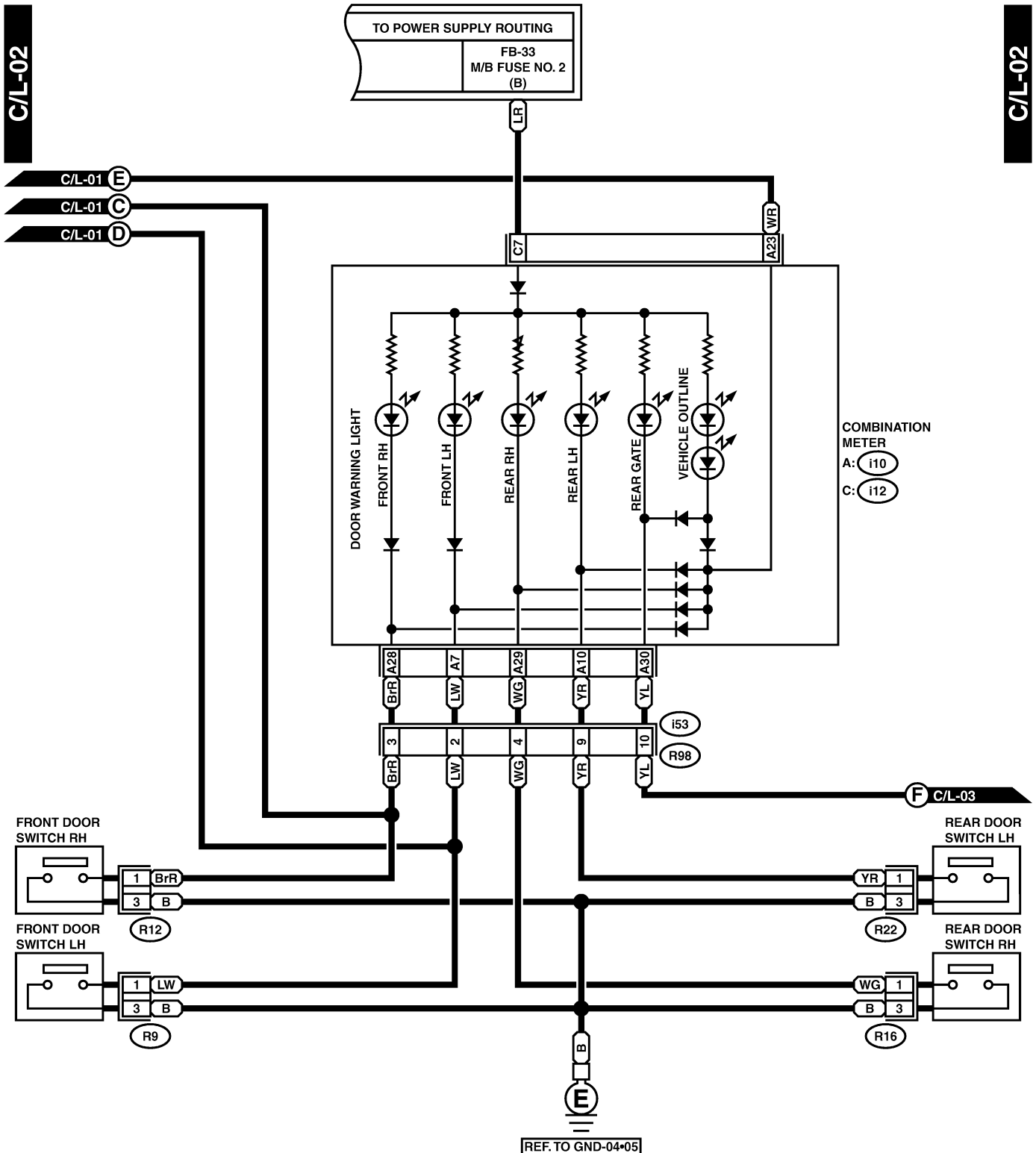
## 26. In Compartment Light System S903665

### A: SCHEMATIC S903665A21

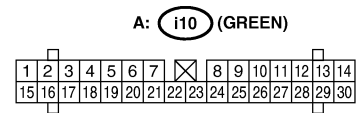
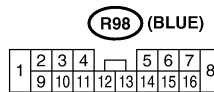
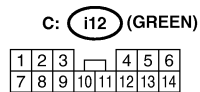
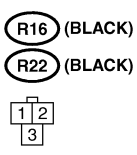


# IN COMPARTMENT LIGHT SYSTEM

Wiring System

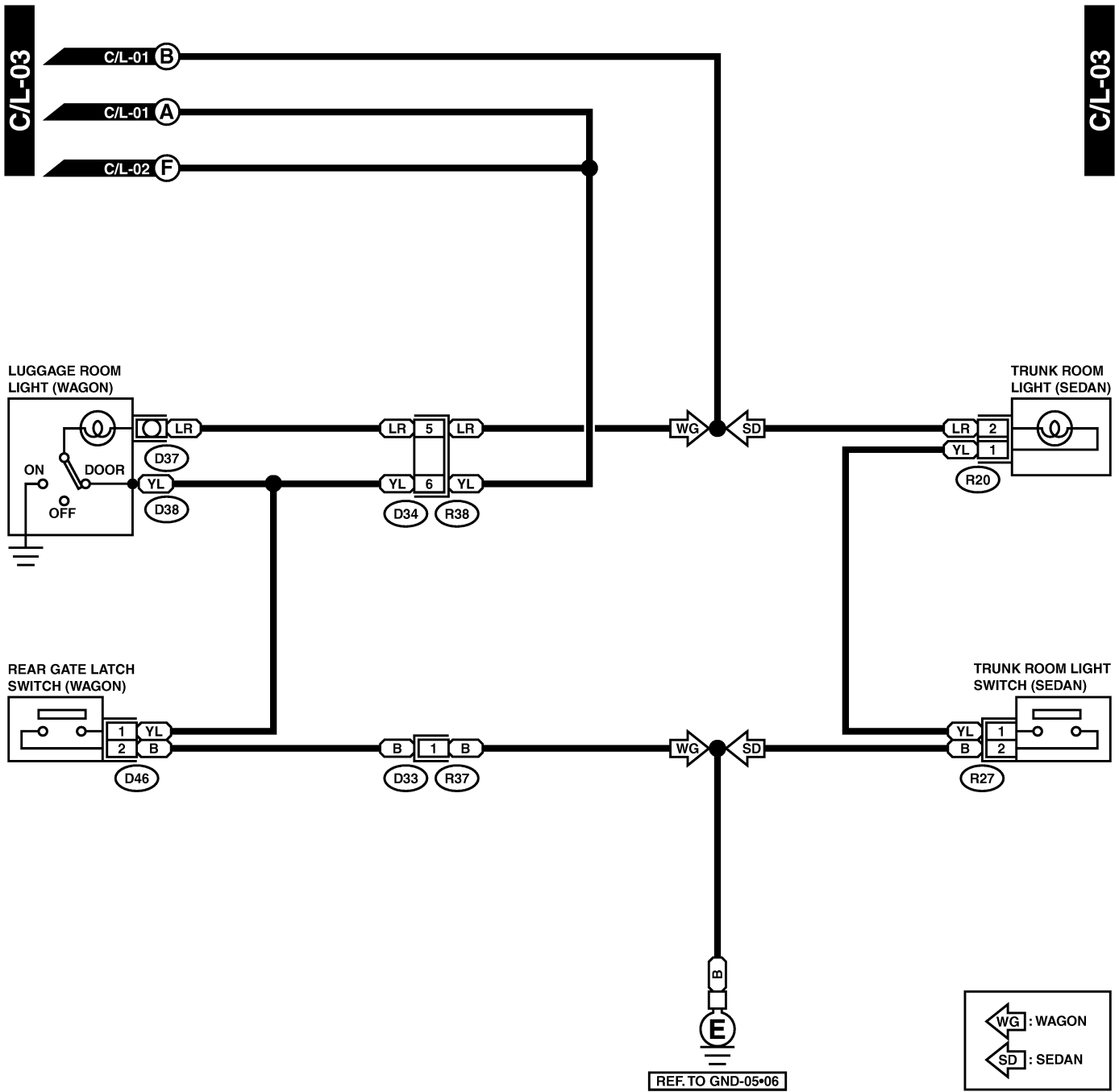


REF. TO GND-04\*05



# IN COMPARTMENT LIGHT SYSTEM

Wiring System



REF. TO GND-05-06

