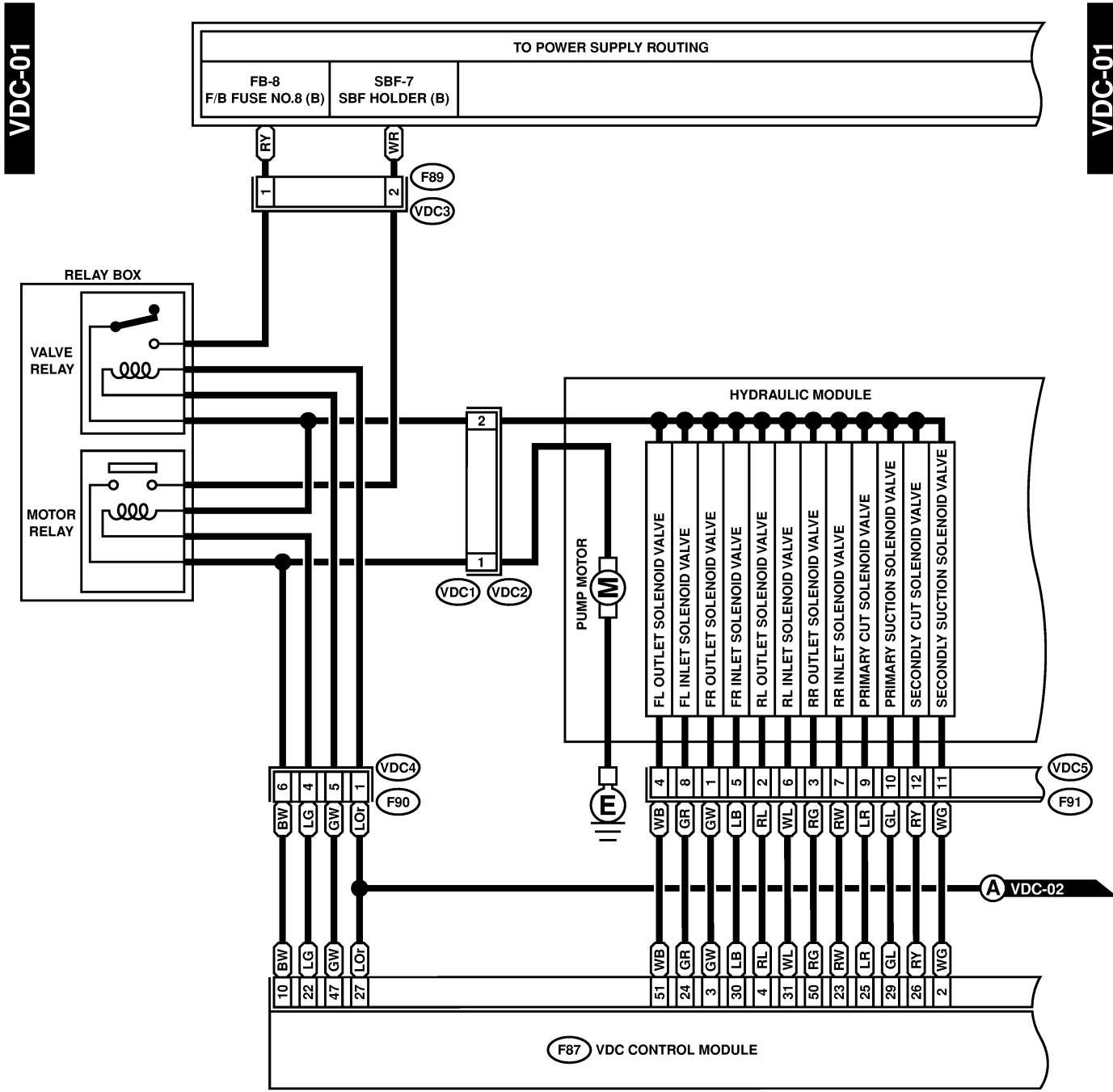


45. Vehicle Dynamic Control System S903441

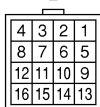
A: SCHEMATIC S903441A21



F89 (GRAY)

F90 (BLACK)

F91 (BLACK)

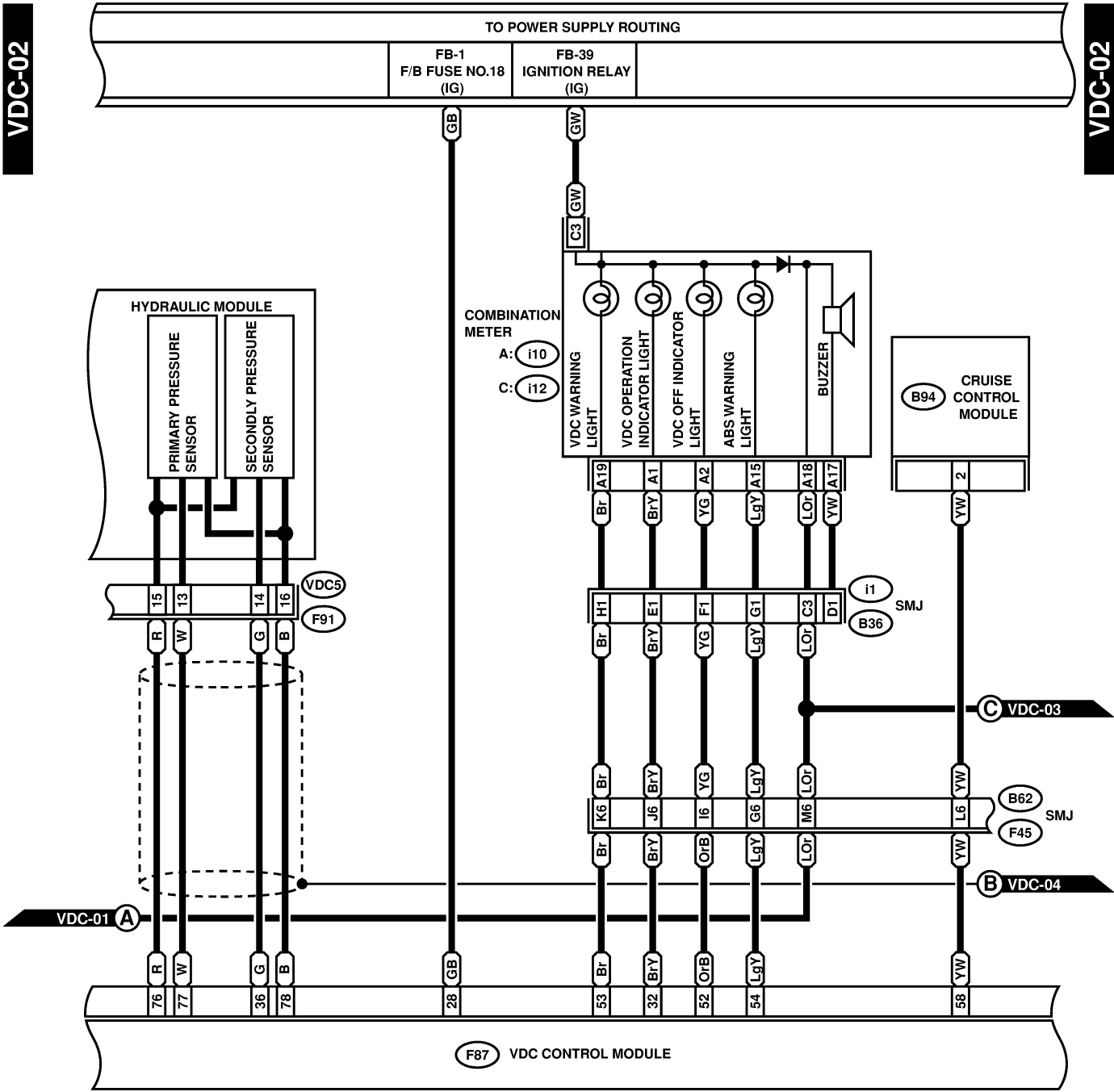


F87 (BLACK)

1	2	3	4	5	6	7	8	9	10	11	12	13	14	15	16	17	18	19	20	21	22	23	24	25	26	27	28	
29	30	31	32	33	34	35	36	37	38	39	40	41	42	43	44	45	46	47	48	49	50	51	52	53	54	55		
56	57	58	59	60	61	62	63	64	65	66	67	68	69	70	71	72	73	74	75	76	77	78	79	80	81	82	83	

VEHICLE DYNAMIC CONTROL SYSTEM

Wiring System



C: i12 (GREEN)

1	2	3	4	5	6
7	8	9	10	11	12
13	14				

F91 (BLACK)

4	3	2	1
8	7	6	5
12	11	10	9
16	15	14	13

B94 (BLACK)

1	2	3	4	5	6	7	8	9	10
11	12	13	14	15	16	17	18	19	20

A: i10 (GREEN)

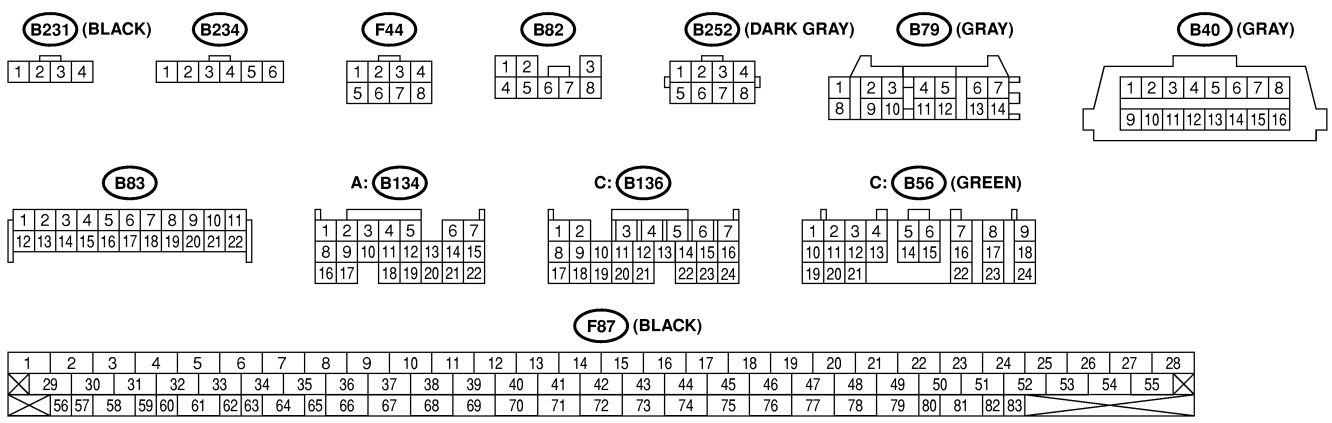
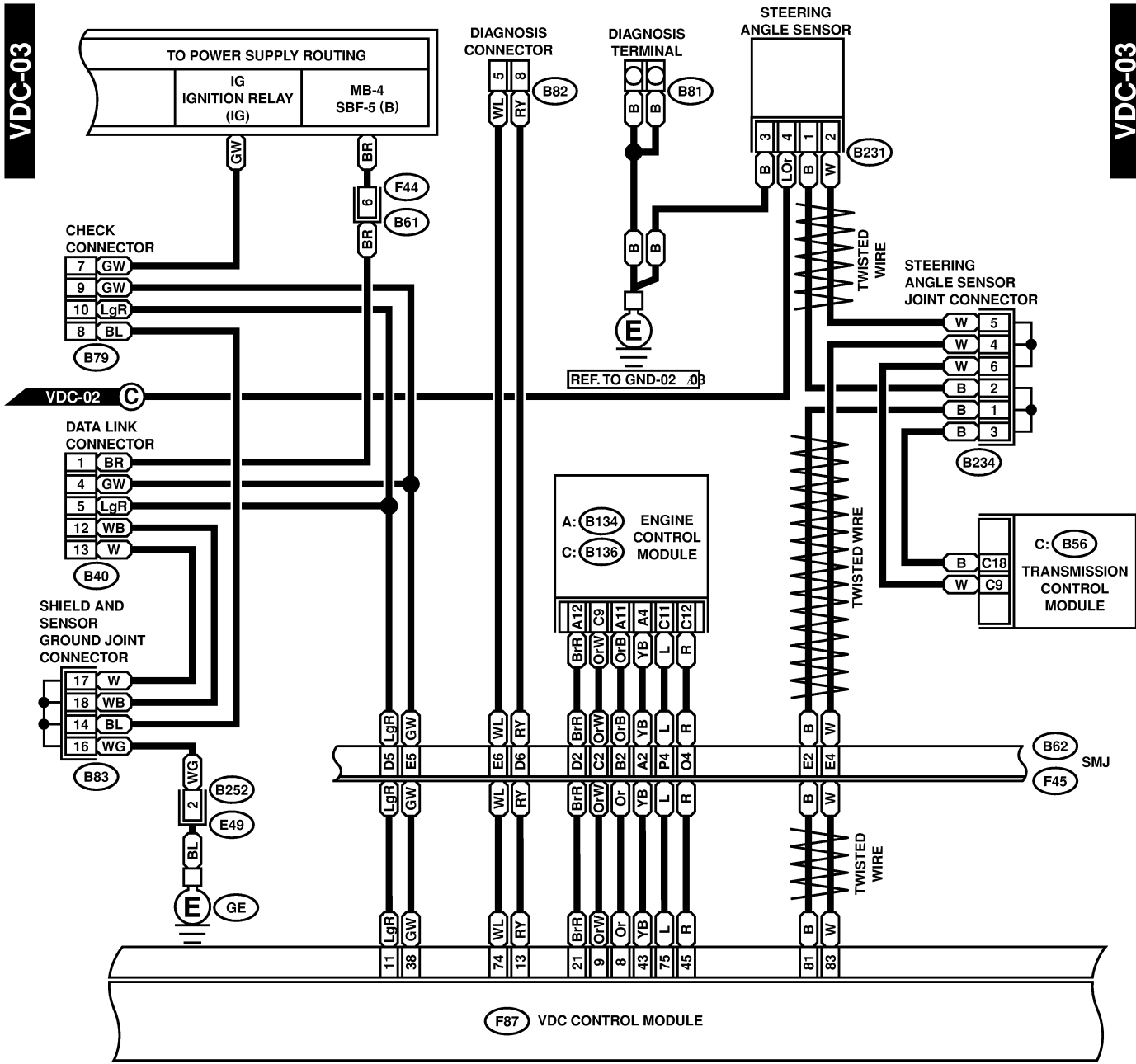
1	2	3	4	5	6	7	8	9	10	11	12	13	14
15	16	17	18	19	20	21	22	23	24	25	26	27	28
29	30												

F87 (BLACK)

1	2	3	4	5	6	7	8	9	10	11	12	13	14	15	16	17	18	19	20	21	22	23	24	25	26	27	28
29	30	31	32	33	34	35	36	37	38	39	40	41	42	43	44	45	46	47	48	49	50	51	52	53	54	55	56
57	58	59	60	61	62	63	64	65	66	67	68	69	70	71	72	73	74	75	76	77	78	79	80	81	82	83	84

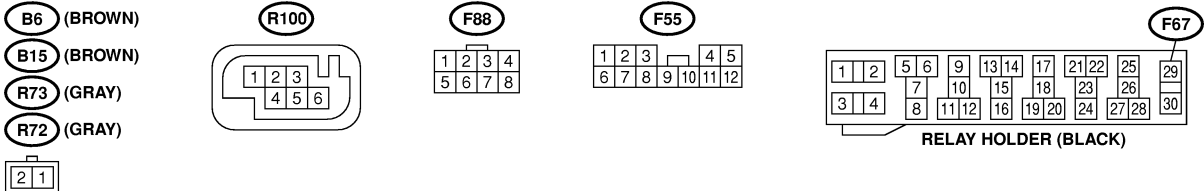
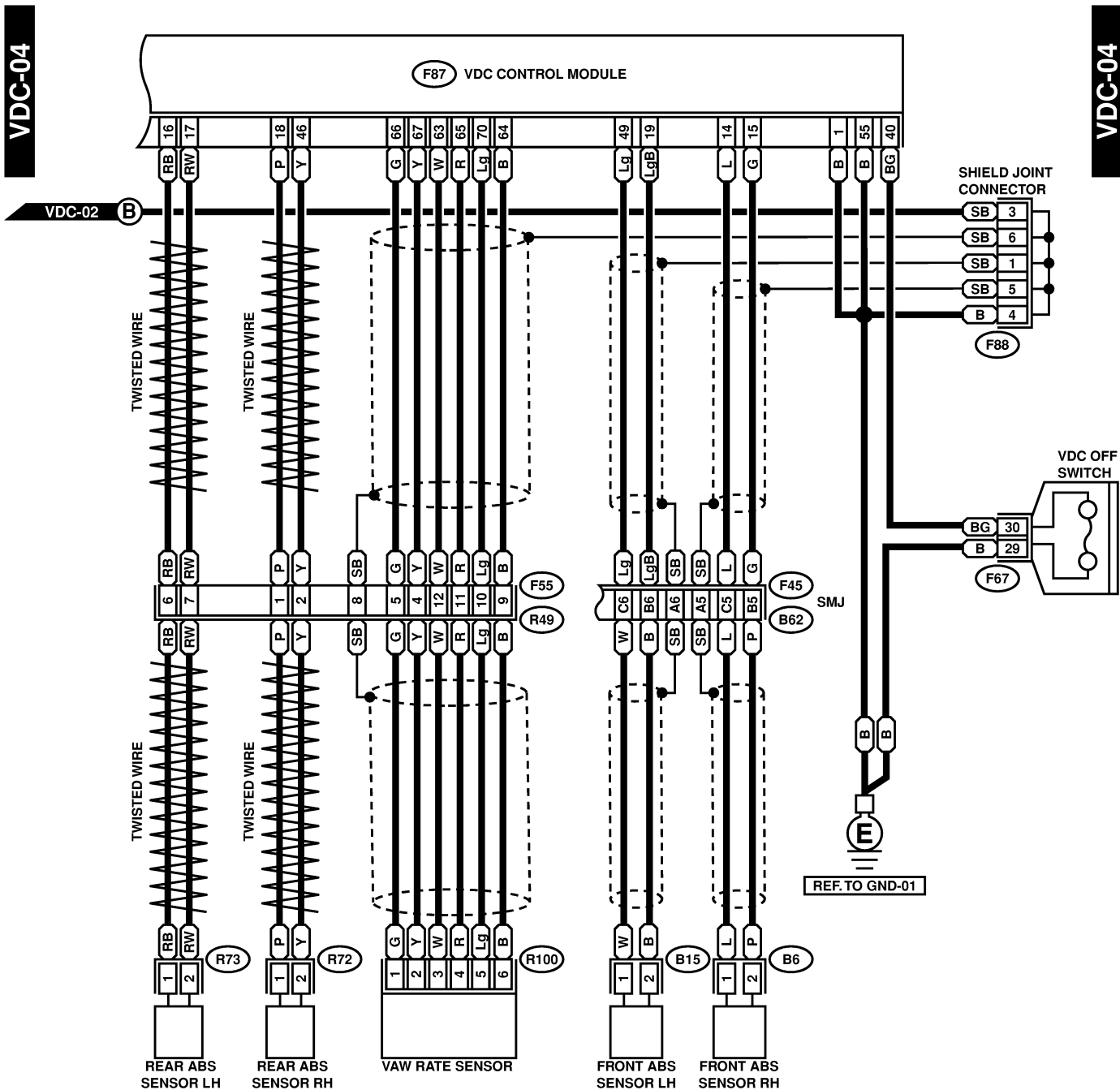
VEHICLE DYNAMIC CONTROL SYSTEM

Wiring System



VEHICLE DYNAMIC CONTROL SYSTEM

Wiring System



F87 (BLACK)

1	2	3	4	5	6	7	8	9	10	11	12	13	14	15	16	17	18	19	20	21	22	23	24	25	26	27	28
29	30	31	32	33	34	35	36	37	38	39	40	41	42	43	44	45	46	47	48	49	50	51	52	53	54	55	56
57	58	59	60	61	62	63	64	65	66	67	68	69	70	71	72	73	74	75	76	77	78	79	80	81	82	83	84