

8. Transfer Clutch Pressure Test S502159

A: INSPECTION S502159A10

1. TEST METHODS S502159A1001

- Except VTD model

Check transfer clutch pressure in accordance with the following chart in the same manner as with line pressure.

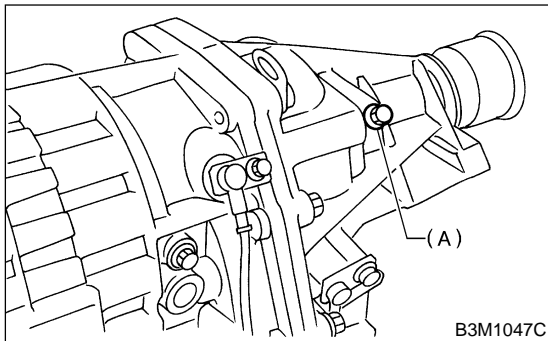
- ST 498897700 OIL PRESSURE ADAPTER SET
- ST 498575400 OIL PRESSURE GAUGE ASSY

AWD mode: "D" range

FWD mode: "P" range, engine speed 2,000 rpm

CAUTION:

Before setting in FWD mode, install spare fuse on FWD mode switch.

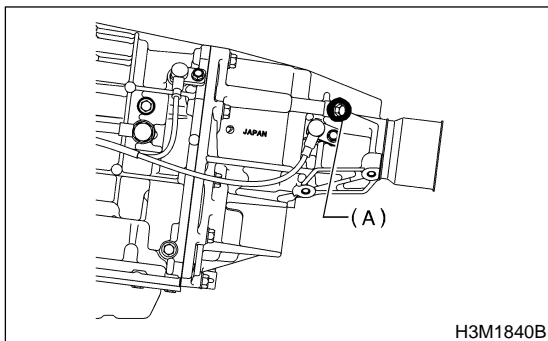


(A) Test plug

- VTD model

Check transfer clutch pressure in accordance with the following chart in the same manner as with line pressure.

- ST 498897700 OIL PRESSURE ADAPTER SET
- ST 498575400 OIL PRESSURE GAUGE ASSY



(A) Test plug

2. EVALUATION S502159A1002

- Except VTD model

NOTE:

If oil pressure is not produced or if it does not change in the AWD mode, the transfer duty solenoid or transfer valve assembly may be malfunctioning. If oil pressure is produced in the FWD mode, the problem is similar to that in the AWD mode.

Standard transfer clutch pressure kPa (kg/cm ² , psi)			
Duty ratio (%)	Throttle position	AWD mode	FWD mode
5	Full closed	932 — 1,089 (9.5 — 11.1, 135 — 158)	—
60	2/3 throttle	216 — 294 (2.2 — 3.0, 31 — 43)	—
95	Full open	—	0 (0, 0)

- VTD model

Duty ratio (%)	Throttle position	Standard transfer clutch pressure kPa (kg/cm ² , psi)
5	Full closed	932 — 1,089 (9.5 — 11.1, 135 — 158)
60	2/3 throttle	216 — 294 (2.2 — 3.0, 31 — 43)