

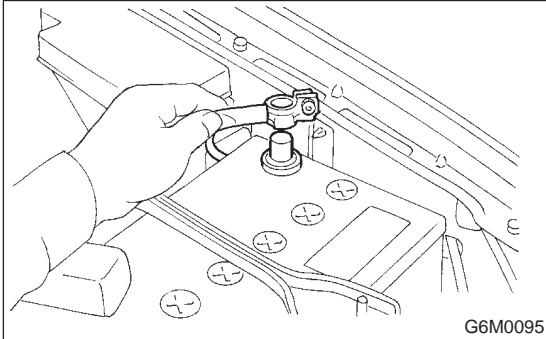
TRANSMISSION CONTROL MODULE (TCM)

Automatic Transmission

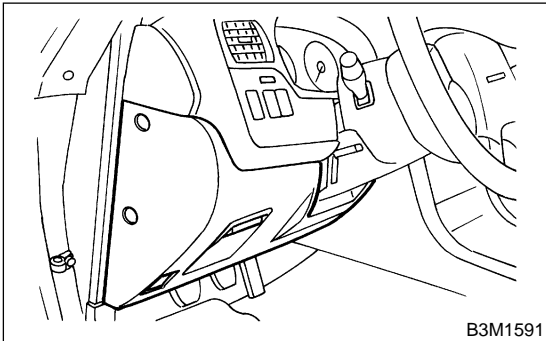
17. Transmission Control Module (TCM) S502225

A: REMOVAL S502225A18

- 1) Disconnect battery ground cable.

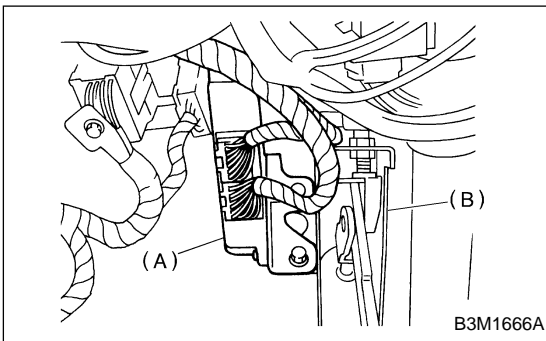


- 2) Remove lower cover and then disconnect connector.



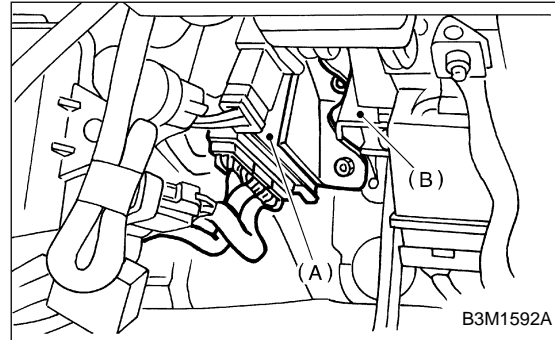
- 3) Disconnect connectors from transmission control module.

Except VTD model



- (A) Transmission control module
- (B) Brake pedal bracket

VTD model



- (A) Transmission control module
- (B) Brake pedal bracket

4) Remove transmission control module.

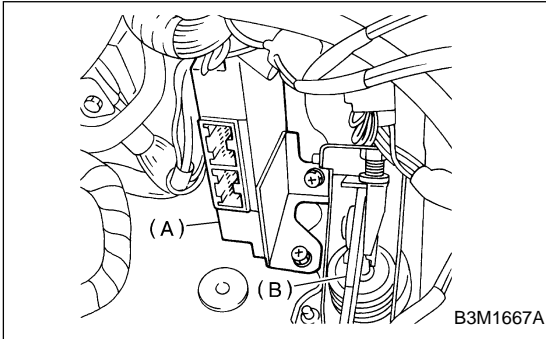
B: INSTALLATION S502225A11

1) Install transmission control module.

Tightening torque:

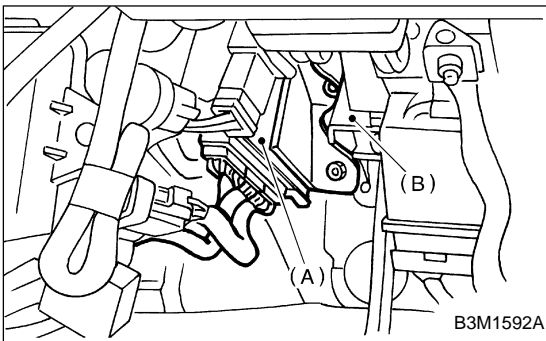
7.4 N·m (0.75 kgf·m, 5.4 ft·lb)

Except VTD model



- (A) Transmission control module
- (B) Pedal bracket

VTD model



- (A) Transmission control module
- (B) Brake pedal bracket

2) Connect connectors to transmission control module.

3) Install in the reverse order of removal.