

## 2. Clutch Disc and Cover S504252

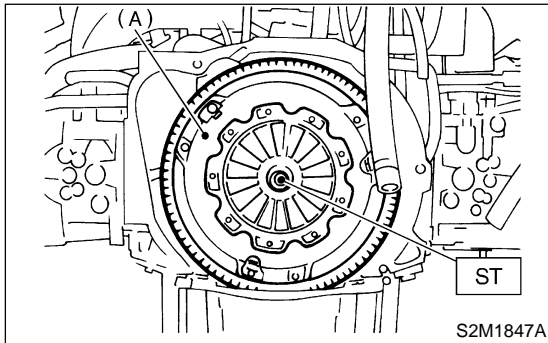
ST 499747100 CLUTCH DISC GUIDE

### A: REMOVAL S504252A18

1) Remove transmission assembly from vehicle body. <Ref. to MT-27 REMOVAL, Manual Transmission Assembly.>

2) Install ST on flywheel.

ST 498497100 CRANKSHAFT STOPPER



(A) Clutch cover

3) Remove clutch cover and clutch disc.

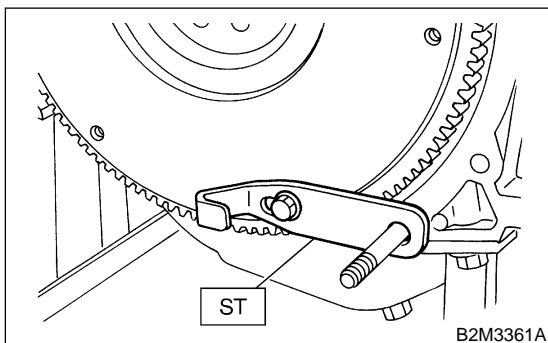
#### CAUTION:

- Take care not to allow oil on the clutch disc facing.
- Do not disassemble either clutch cover or clutch disc.

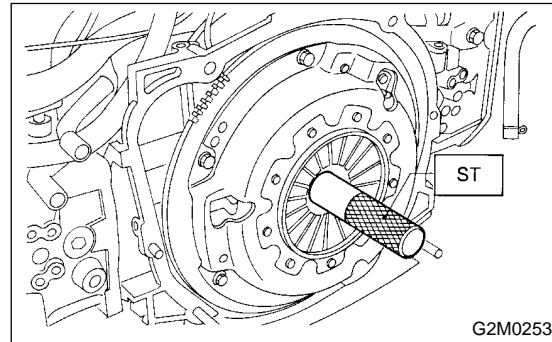
### B: INSTALLATION S504252A11

1) Install flywheel and ST.

ST 498497100 CRANKSHAFT STOPPER



2) Insert ST into the clutch disc and install them on the flywheel by inserting the ST end into the pilot bearing.



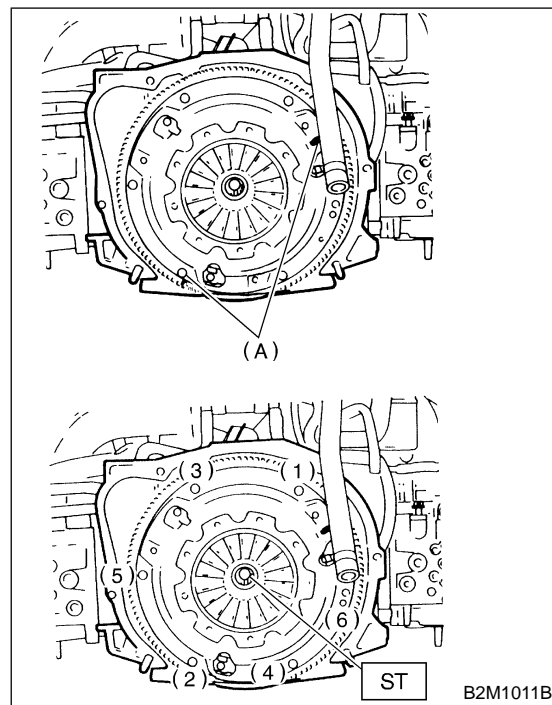
3) Install clutch cover on flywheel and tighten bolts to the specified torque.

#### NOTE:

- When installing the clutch cover on the flywheel, position the clutch cover so that there is a gap of 120° or more between "0" marks on the flywheel and clutch cover. ("0" marks indicate the directions of residual unbalance.)
- Note the front and rear of the clutch disc when installing.
- Temporarily tighten bolts by hand. Each bolt should be tightened to the specified torque in a crisscross fashion.

#### Tightening torque:

**15.7 N·m (1.6 kgf-m, 11.6 ft-lb)**



(A) "0" marks

4) Remove ST.

ST 499747100 CLUTCH DISC GUIDE

5) Install transmission assembly. <Ref. to MT-30 INSTALLATION, Manual Transmission.>

# CLUTCH DISC AND COVER

Clutch System

## C: INSPECTION S504252A10

### 1. CLUTCH DISC S504252A1001

#### 1) Facing wear

Measure the depth of rivet head from the surface of facing. Replace if facings are worn locally or worn down to less than the specified value.

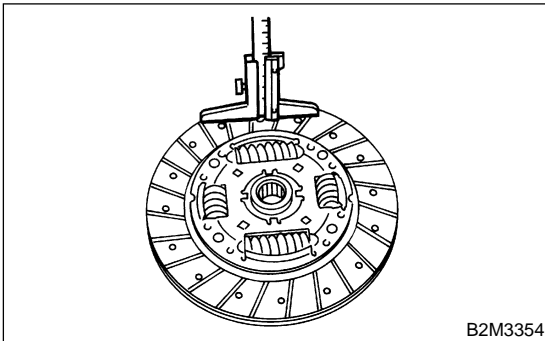
**Depth of rivet head:**

**Limit of sinking**

**0.3 mm (0.012 in)**

#### CAUTION:

Do not wash clutch disc with any cleaning fluid.

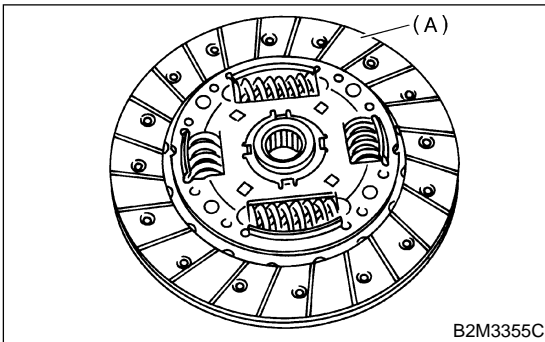


#### 2) Hardened facing

Correct by using emery paper or replace.

#### 3) Oil soilage on facing

Replace clutch disc and inspect transmission front oil seal, transmission case mating surface, engine rear oil seal and other points for oil leakage.



(A) Facing

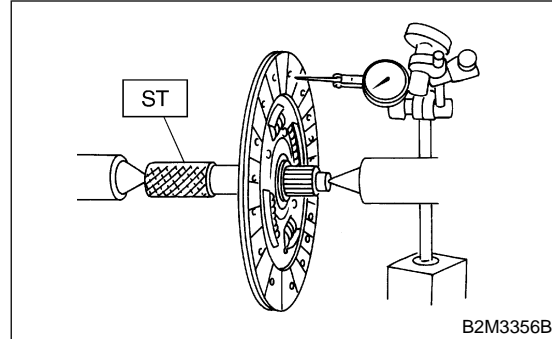
#### 4) Deflection on facing

If deflection exceeds the specified value at the outer circumference of facing, repair or replace.

## ST 499747100 CLUTCH DISC GUIDE

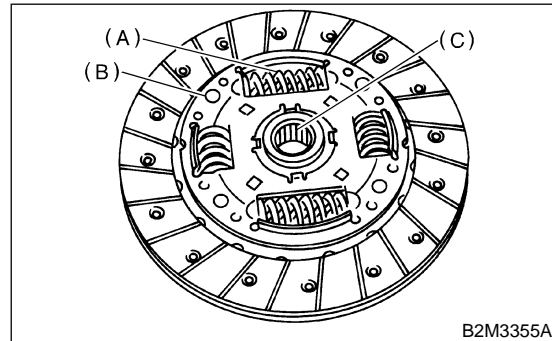
**Limit for deflection:**

**1.0 mm (0.039 in) at R = 107 mm (4.21 in)**



#### 5) Worn spline, loose rivets and torsion spring failure

Replace defective parts.



- (A) Torsion spring
- (B) Rivet
- (C) Spline

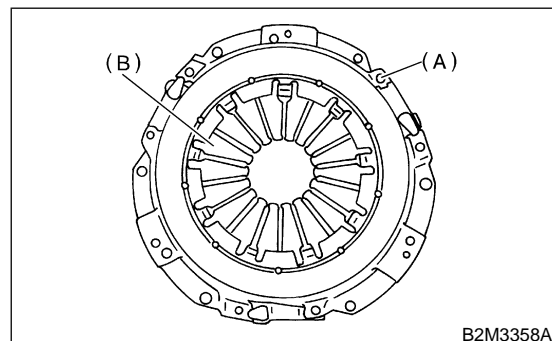
## 2. CLUTCH COVER S504252A1002

#### NOTE:

Visually check for the following items without disassembling, and replace or repair if defective.

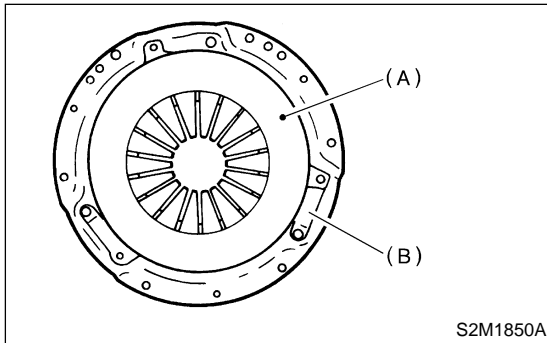
#### 1) Loose thrust rivet.

2) Damaged or worn bearing contact area at center of diaphragm spring.



- (A) Thrust rivet
- (B) Diaphragm spring

- 3) Damaged or worn disc contact surface of pressure plate.
- 4) Loose strap plate setting bolt.
- 5) Worn diaphragm sliding surface.



- (A) Pressure plate  
(B) Strap plate