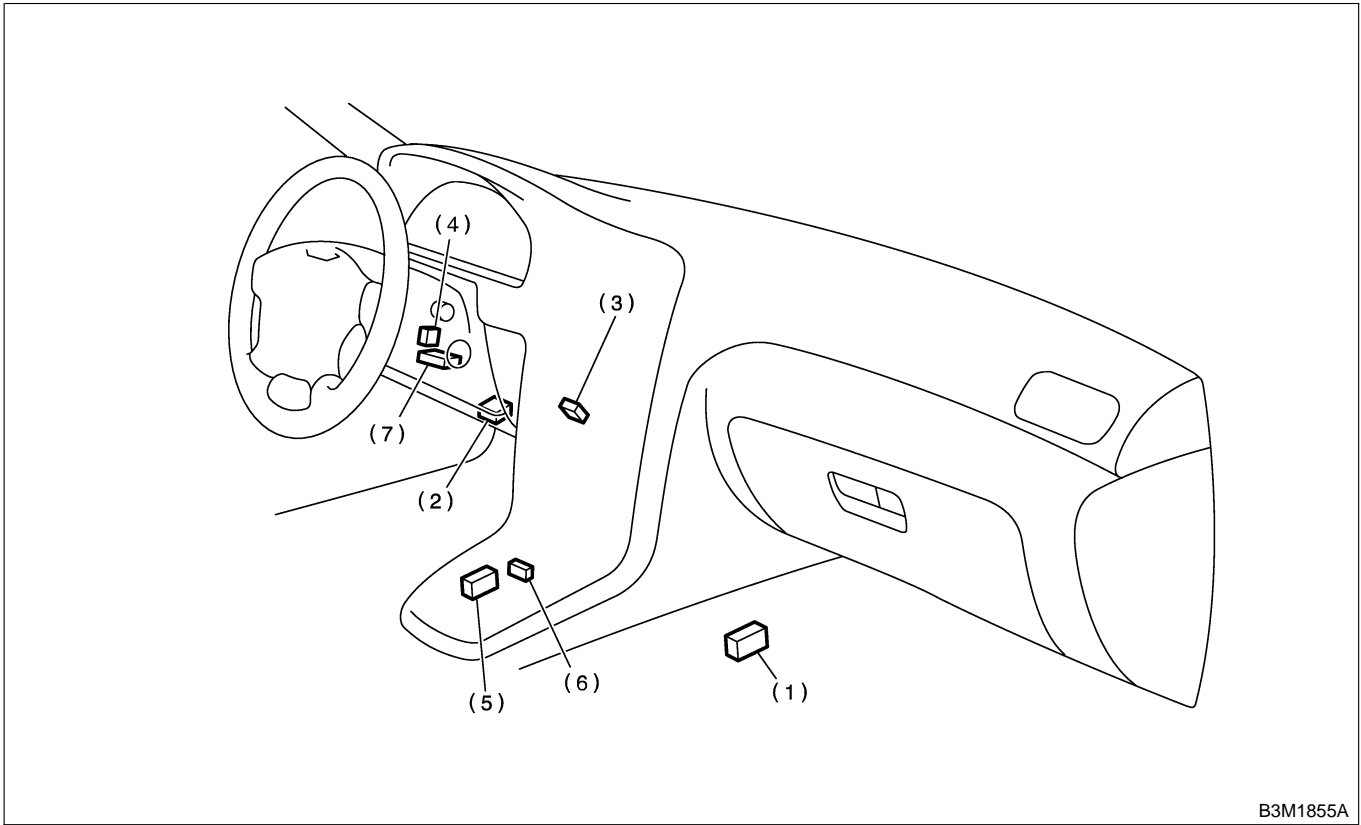


ELECTRICAL COMPONENT

Control Systems

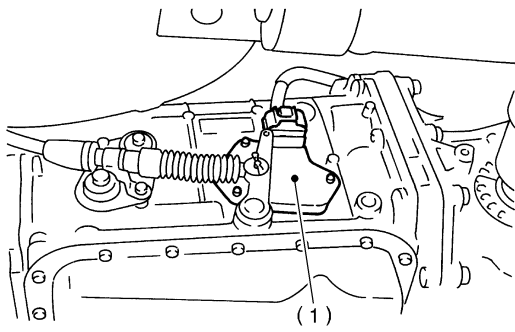
2. Electrical Component SS01547

A: LOCATION SS01547A13

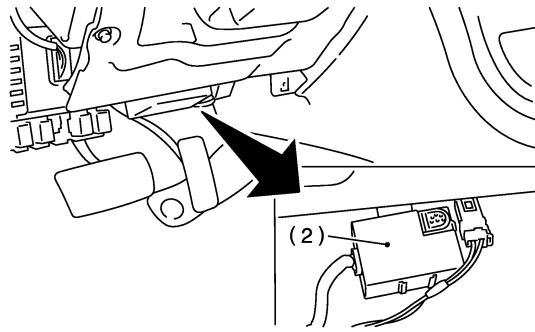


B3M1855A

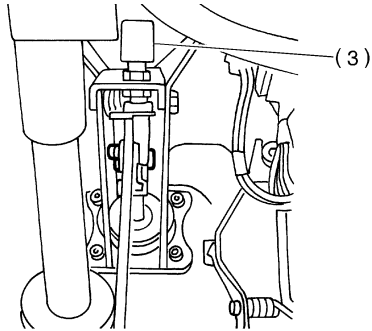
- | | | |
|-----------------------------|-------------------------|-----------------------|
| (1) Inhibitor switch | (4) Key warning switch | (7) Key lock solenoid |
| (2) AT shift control module | (5) Shift lock solenoid | |
| (3) Stop light switch | (6) "P" position switch | |



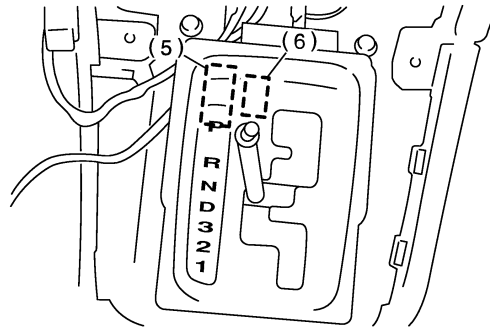
B2M2246E



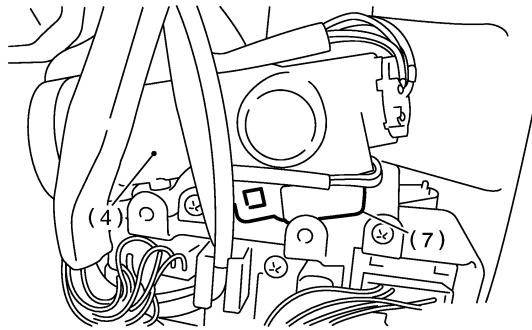
B3M1857A



B4M1747B



B3M1859A



B3M1860A

SUBARU.