

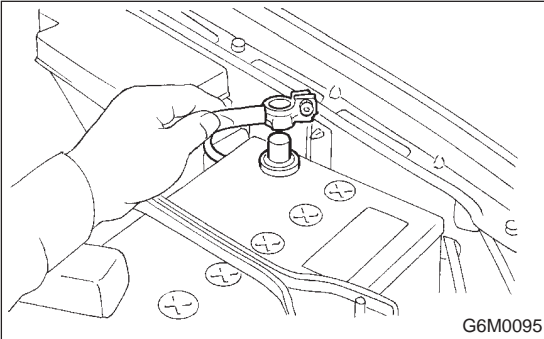
## 7. AT Shift Lock Control Module

S501237

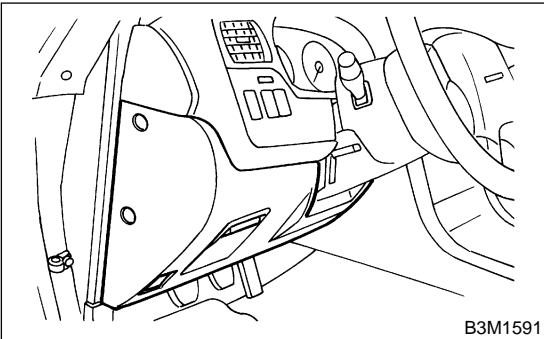
### A: REMOVAL

S510237A18

- 1) Disconnect battery ground terminal.



- 2) Remove the lower cover and then disconnect connector.



- 3) Disconnect connector from AT shift lock control module.
- 4) Remove the AT shift lock control module.

### B: INSTALLATION

S510237A11

Install in the reverse order of removal.