

3. Transmission Gear Oil S503219

A: REPLACEMENT S503219A20

- 1) Lift-up the vehicle.
- 2) Drain transmission gear oil completely.

CAUTION:

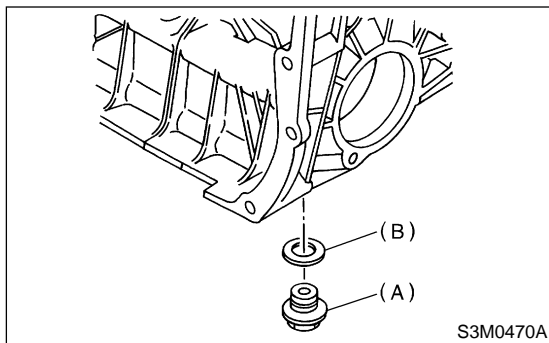
Directly after the engine has been running, the transmission gear oil is hot. Be careful not to burn yourself.

NOTE:

Tighten transmission gear oil drain plug after draining transmission gear oil.

Tightening torque:

44 N·m (4.5 kgf-m, 32.5 ft-lb)



- (A) Drain plug
(B) Gasket

- 3) Pour gear oil into the gauge hole.

Recommended gear oil:

Use GL-5 or equivalent.

Gear oil capacity:

3.5 ℓ (3.7 US qt, 3.1 Imp qt)

- 4) Check the level of the transmission gear oil.

CAUTION:

When inserting the level gauge into transmission gear, align the protrusion on the side of the top part of the level gauge with the notch in the gauge hole.

NOTE:

The level should be within the specified range marked on the gauge.