

## 6. Oil Seal S503143

### A: REPLACEMENT S503143A20

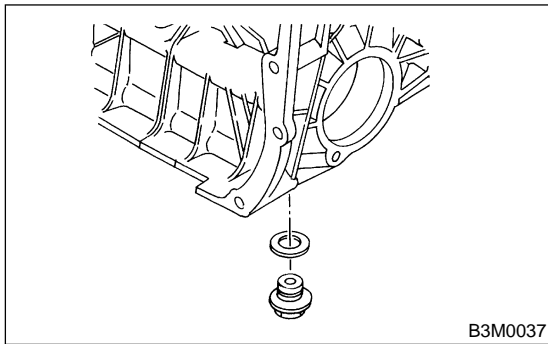
- 1) Clean transmission exterior.
- 2) Drain gear oil completely.

**NOTE:**

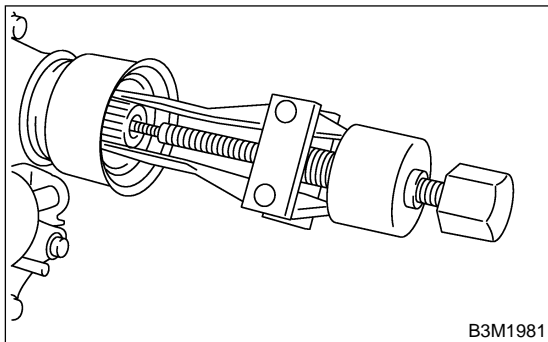
Tighten drain plug after draining gear oil.

**Tightening torque:**

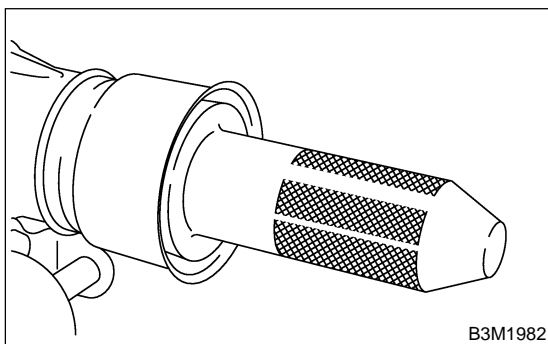
**44 N·m (4.5 kgf-m, 32.5 ft-lb)**



- 3) Remove rear exhaust pipe and muffler.
- 4) Remove heat shield cover.
- 5) Remove propeller shaft. <Ref. to DS-13 REMOVAL, Propeller Shaft.>
- 6) Using ST, remove the oil seal.  
ST 398527700 PULLER ASSY



- 7) Using ST, install the oil seal.  
ST 498057300 INSTALLER



- 8) Install the propeller shaft. <Ref. to DS-14 INSTALLATION, Propeller Shaft.>
- 9) Install the heat shield cover.

- 10) Install the rear exhaust pipe and muffler.
- 11) Pour gear oil and check the oil level. <Ref. to MT-26 REPLACEMENT, Transmission Gear Oil.>