

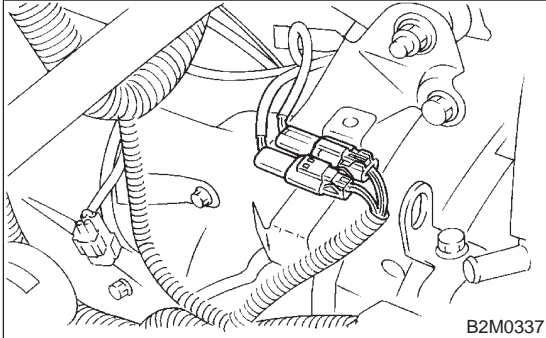
SWITCHES AND HARNESS

Manual Transmission and Differential

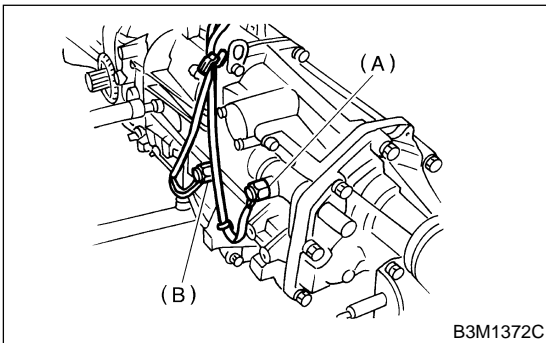
7. Switches and Harness S503232

A: REMOVAL S503232A18

- 1) Disconnect connector battery ground terminal.
- 2) Disconnect connector back-up light switch and neutral position switch.



- 3) Lift-up the vehicle.
- 4) Remove back-up light switch and neutral position switch with harness.



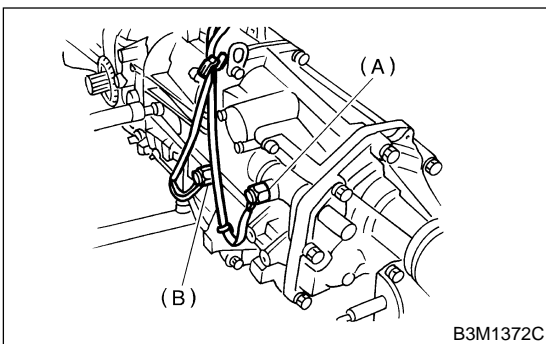
- (A) Neutral switch
(B) Back-up light switch

B: INSTALLATION S503232A11

- 1) Install back-up light switch and neutral position switch with harness.

Tightening torque:

24.5 N·m (2.5 kgf·m, 18.1 ft·lb)



- (A) Neutral switch
(B) Back-up light switch

- 2) Disconnect connector of back-up light switch and neutral position switch.
- 3) Connect battery ground terminal.

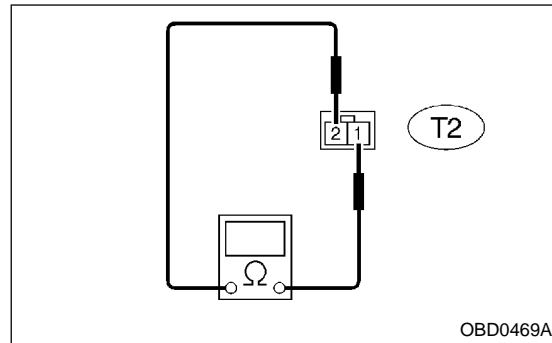
C: INSPECTION S503232A10

1. BACK-UP LIGHT SWITCH S503232A1001

Inspect the back-up light switch. <Ref. to LI-16 INSPECTION, Back-up Light System.>

2. NEUTRAL POSITION SWITCH S503232A1002

- 1) Turn ignition switch to OFF.
- 2) Disconnect connector neutral position switch.
- 3) Using the circuit tester, verify the current in neutral position. Also verify that there is no current in positions other than neutral.



- 4) Replace defective parts.