

# PREPARATION FOR OVERHAUL

Manual Transmission and Differential

## 9. Preparation for Overhaul S503091

### A: PROCEDURE S503091E45

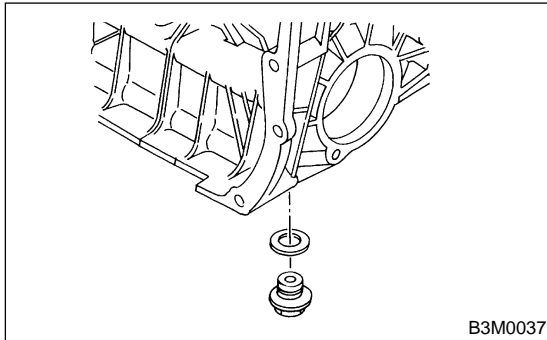
- 1) Clean oil, grease, dirt and dust from transmission.
- 2) Remove drain plug to drain oil. After draining, retighten it as before.

#### CAUTION:

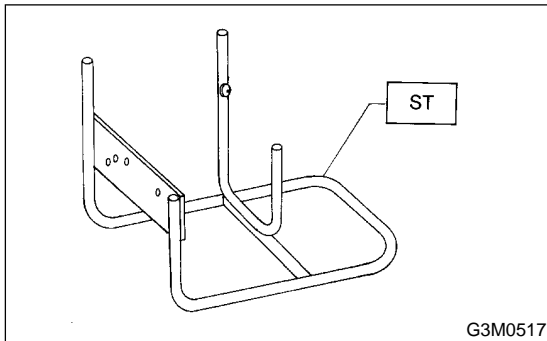
Replace gasket with a new one.

#### Tightening torque:

**44 N·m (4.5 kgf-m, 32.5 ft-lb)**



- 3) Attach transmission to ST.  
ST 499937100 TRANSMISSION STAND SET



- 4) Rotating parts should be coated with oil prior to assembly.
- 5) All disassembled parts, if to be reused, should be reinstalled in the original positions and directions.
- 6) Gaskets, lock washers and lock nut must be replaced with new ones.
- 7) Liquid gasket should be used where specified to prevent leakage.