

13. Center Differential S503158

A: REMOVAL S503158A18

- 1) Remove the manual transmission assembly from vehicle. <Ref. to MT-27 REMOVAL, Manual Transmission Assembly.>
- 2) Remove the transfer case with extension assembly. <Ref. to MT-39 REMOVAL, Transfer Case and Extension Case Assembly.>
- 3) Remove the extension case assembly. <Ref. to MT-39 REMOVAL, Transfer Case and Extension Case Assembly.>
- 4) Remove the transfer driven gear. <Ref. to MT-45 REMOVAL, Transfer Driven Gear.>
- 5) Remove the center differential.

B: INSTALLATION S503158A11

- 1) Install the center differential into transmission case.
- 2) Install the transfer driven gear. <Ref. to MT-45 INSTALLATION, Transfer Driven Gear.>
- 3) Install the extension case assembly. <Ref. to MT-39 INSTALLATION, Extension Case Assembly.>
- 4) Install the manual transmission assembly to vehicle. <Ref. to MT-30 INSTALLATION, Manual Transmission Assembly.>

C: DISASSEMBLY S503158A06

NOTE:

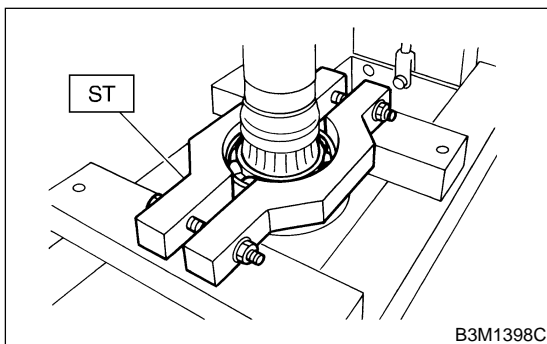
Do not disassemble center differential because it is a non-disassemble part.

Remove ball bearing using ST.

CAUTION:

Do not reuse ball bearing.

ST 498077300 CENTER DIFFERENTIAL BEARING REMOVER

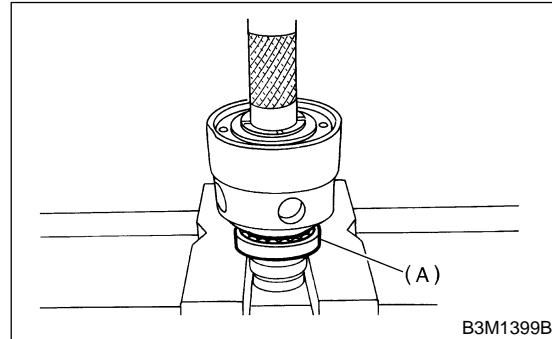


D: ASSEMBLY S503158A02

Install ball bearing to center differential assembly.

CAUTION:

Do not apply pressure in excess of 10 kN (1 ton, 1.1 US ton, 1.0 Imp ton).



(A) Ball bearing

E: INSPECTION S503158A10

1) Bearings

Replace bearings in the following cases:

- Broken or rusty bearings
- Worn or damaged
- Bearings that fail to turn smoothly or make abnormal noise when turned after gear oil lubrication.
- Bearings having other defects

2) Center differential

Replace center differential assembly in the following case:

- Worn or damaged