

GROUND DISTRIBUTION

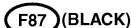
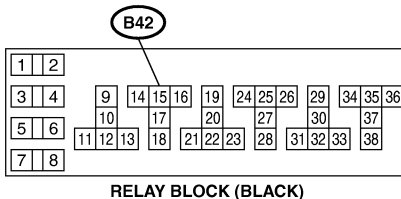
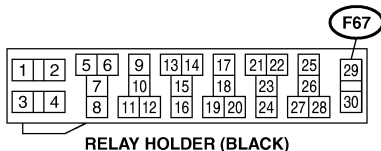
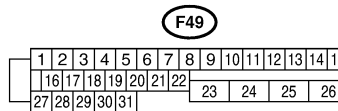
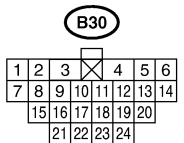
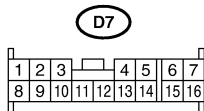
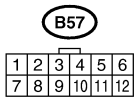
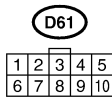
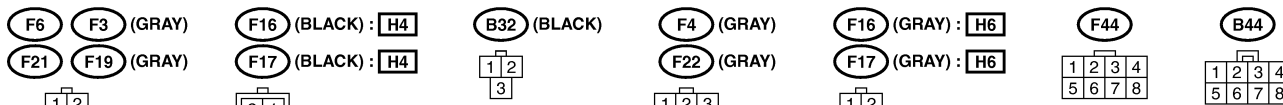
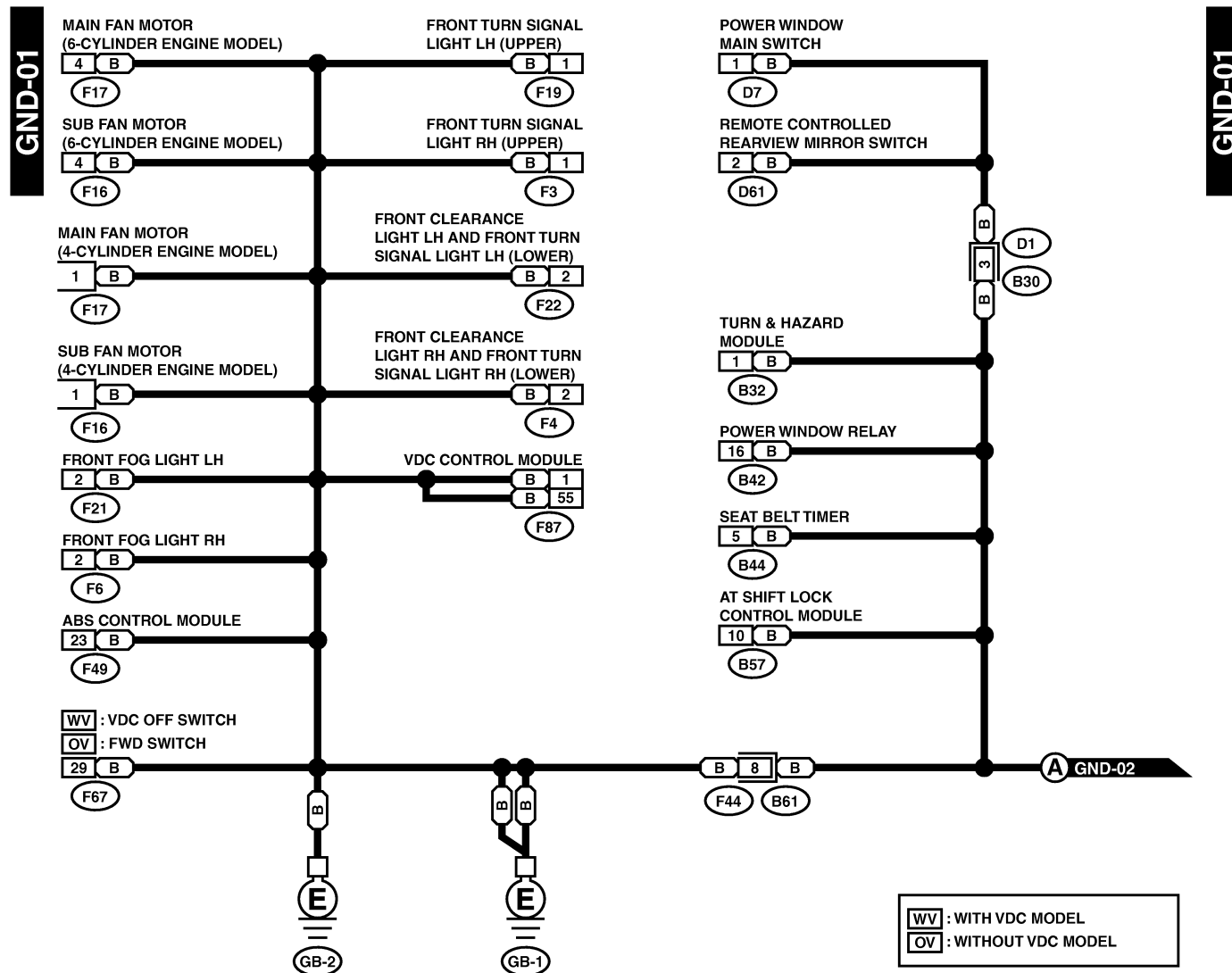
Wiring System

5. Ground Distribution

S903472

A: SCHEMATIC

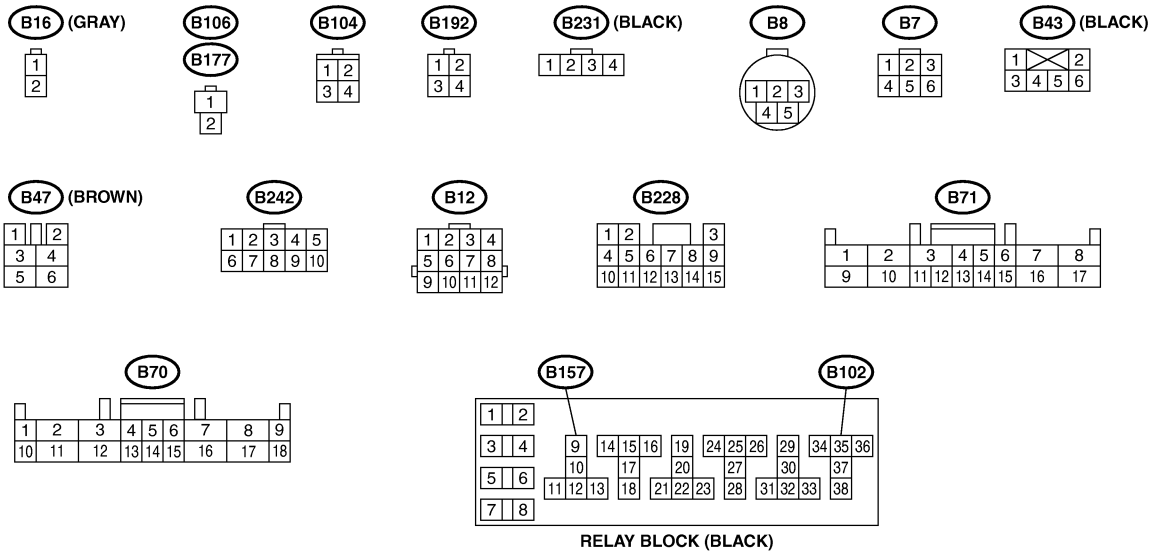
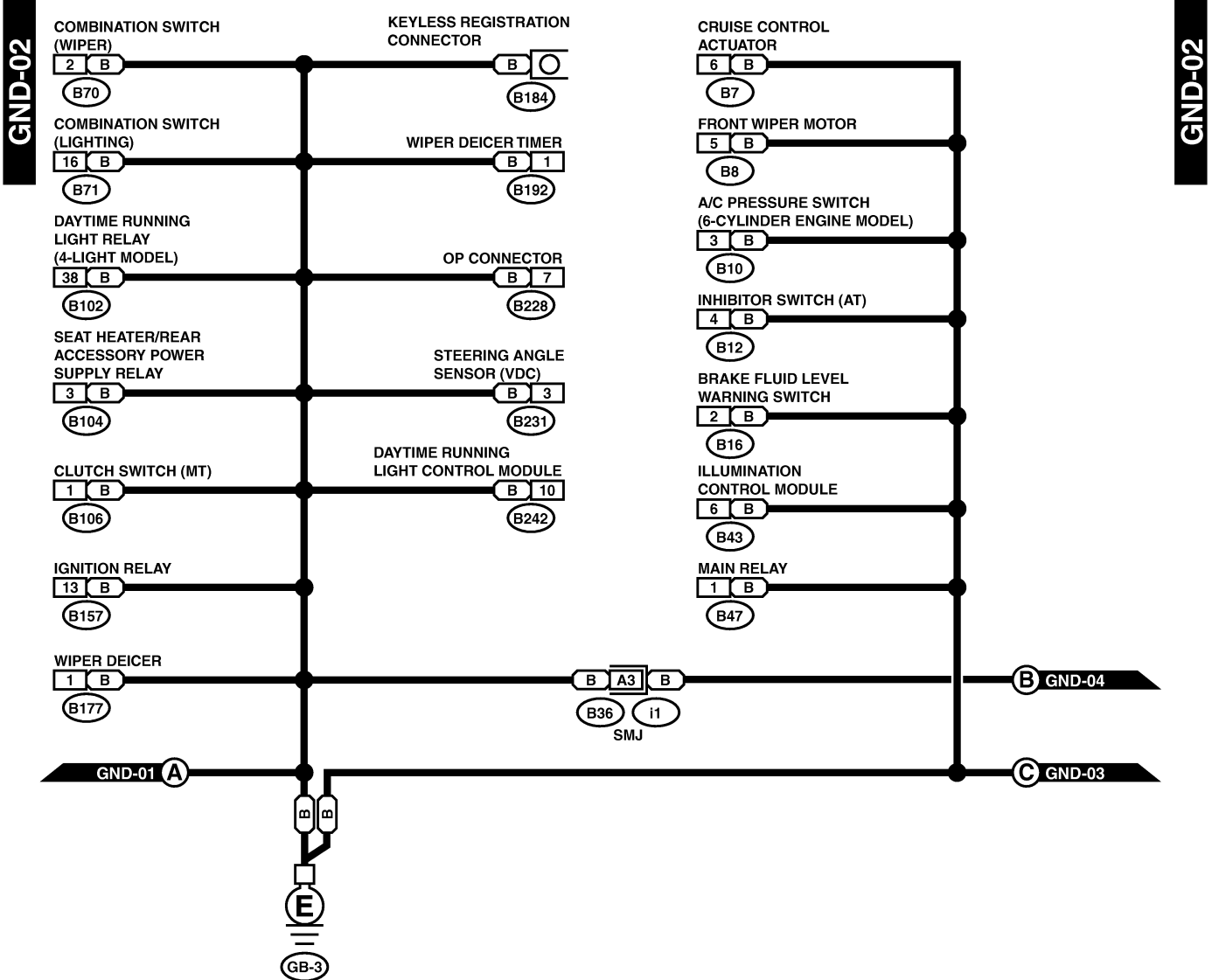
S903472A21



1	2	3	4	5	6	7	8	9	10	11	12	13	14	15	16	17	18	19	20	21	22	23	24	25	26	27	28
29	30	31	32	33	34	35	36	37	38	39	40	41	42	43	44	45	46	47	48	49	50	51	52	53	54	55	56
57	58	59	60	61	62	63	64	65	66	67	68	69	70	71	72	73	74	75	76	77	78	79	80	81	82	83	84

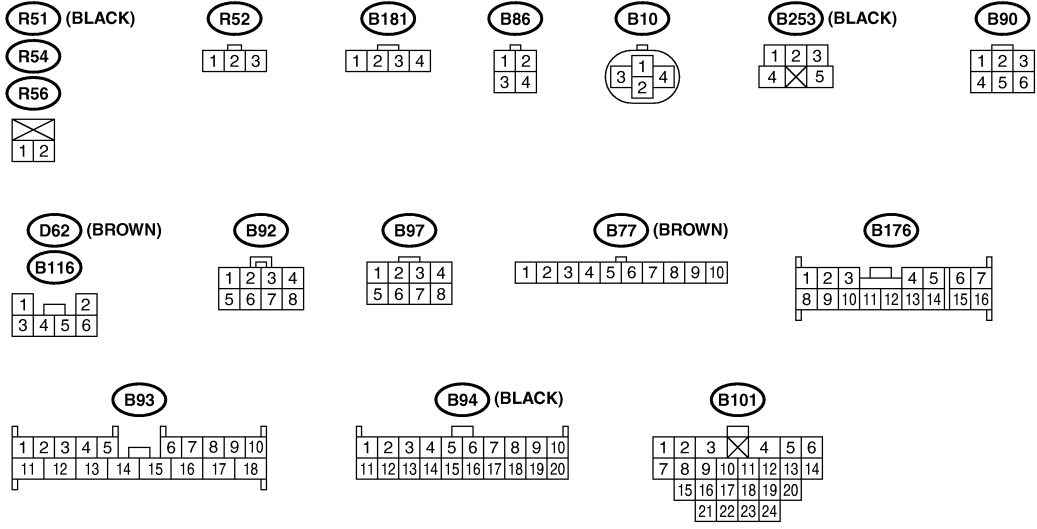
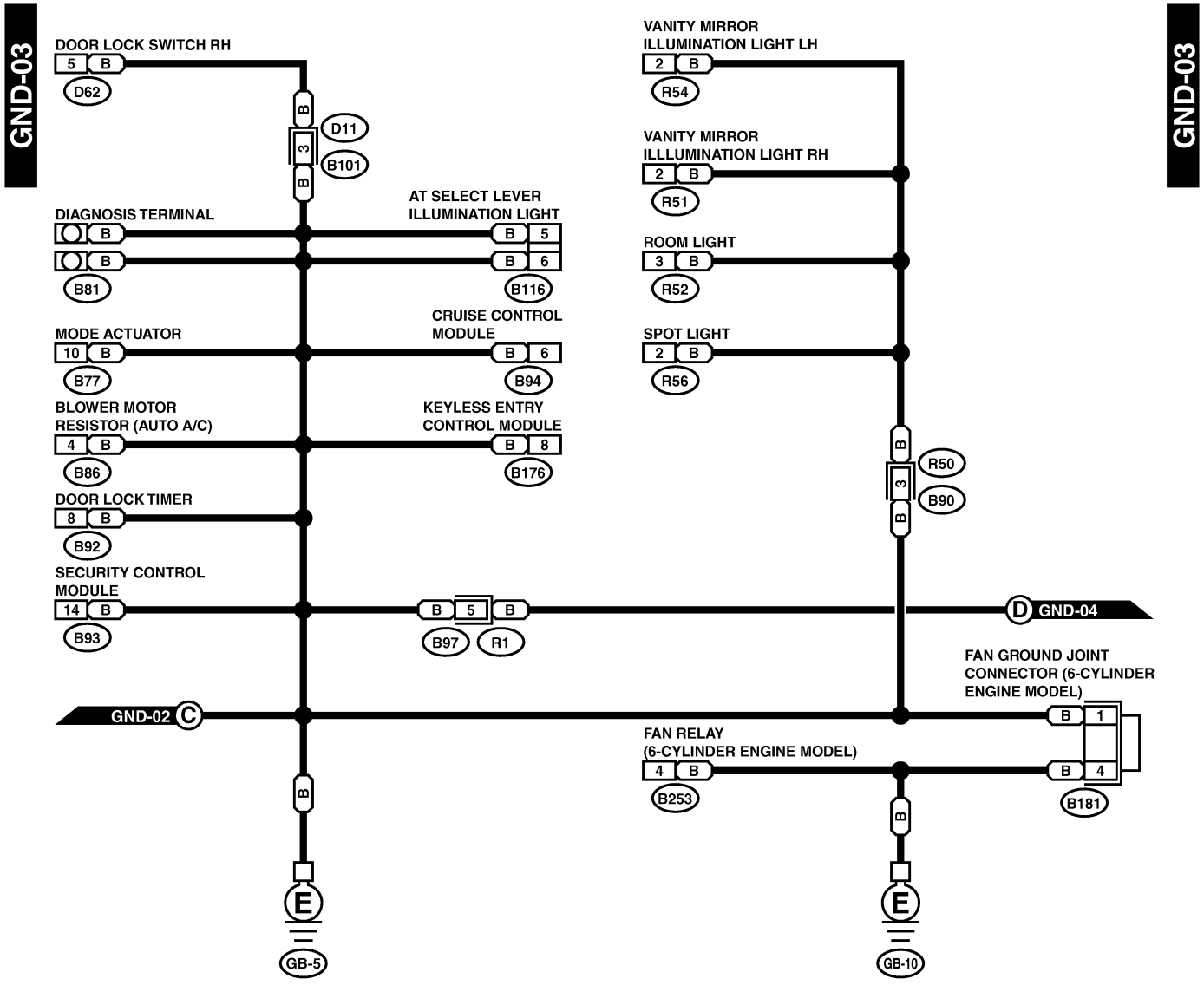
GROUND DISTRIBUTION

Wiring System



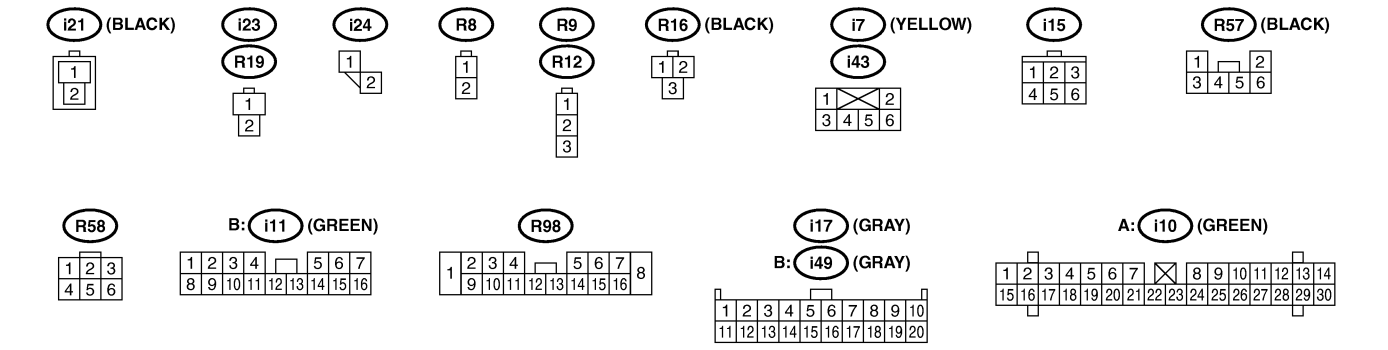
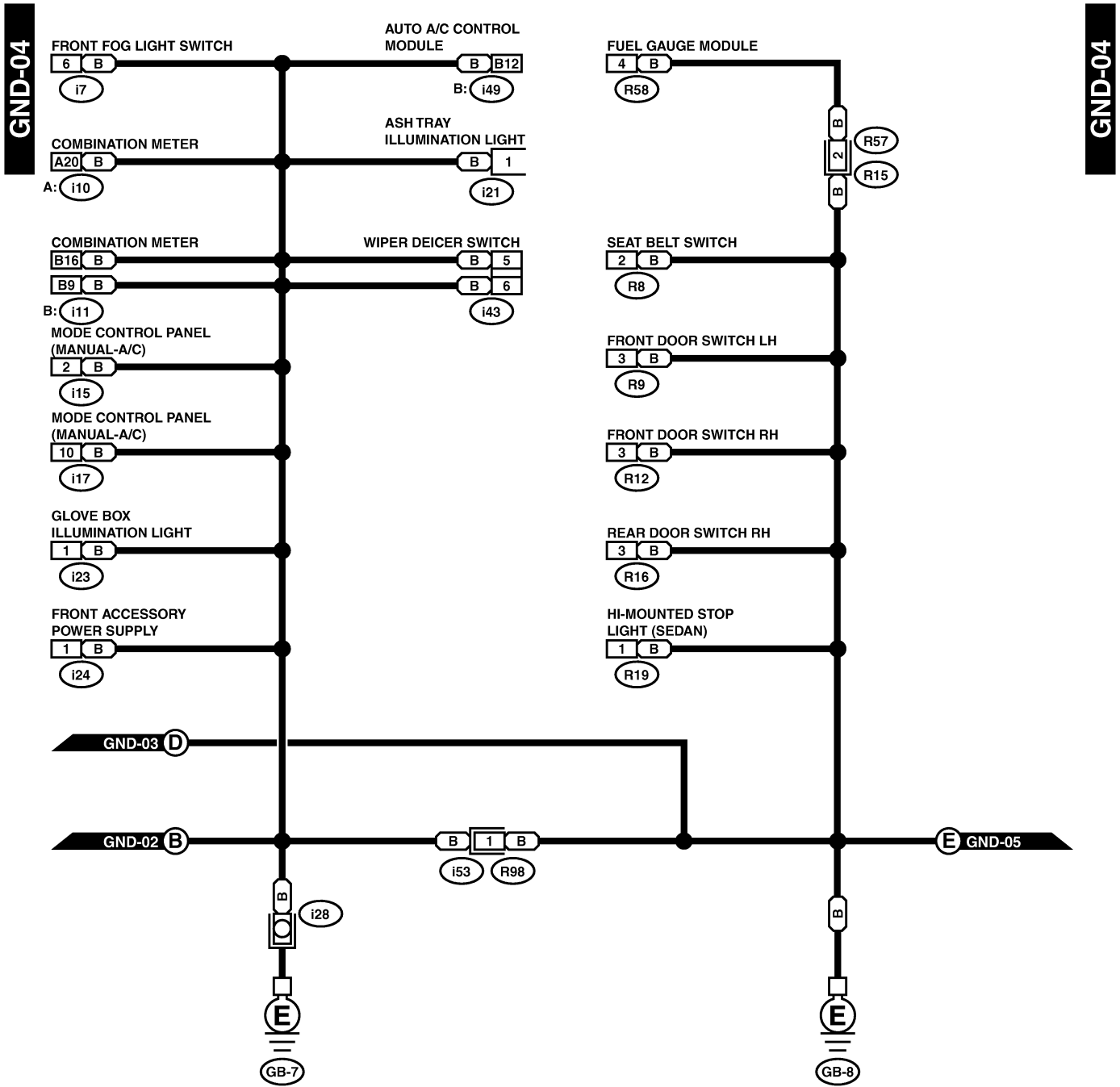
GROUND DISTRIBUTION

Wiring System



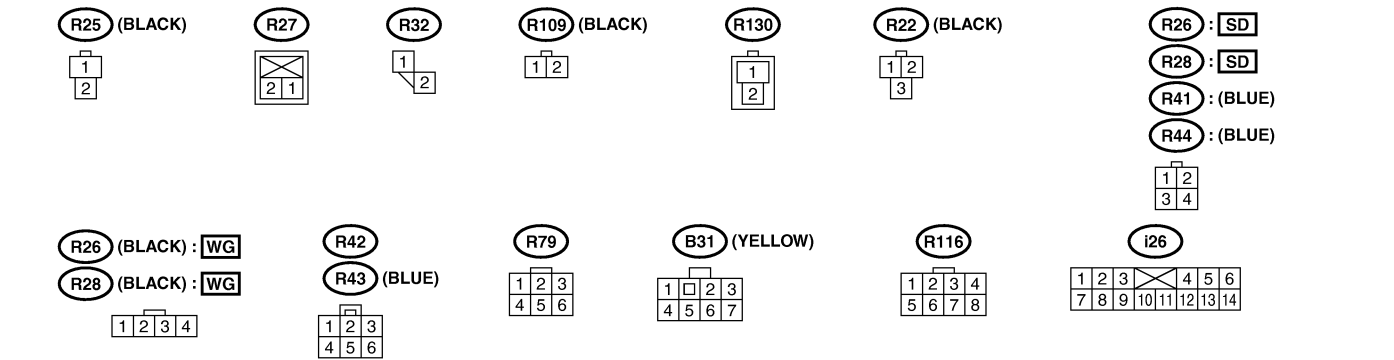
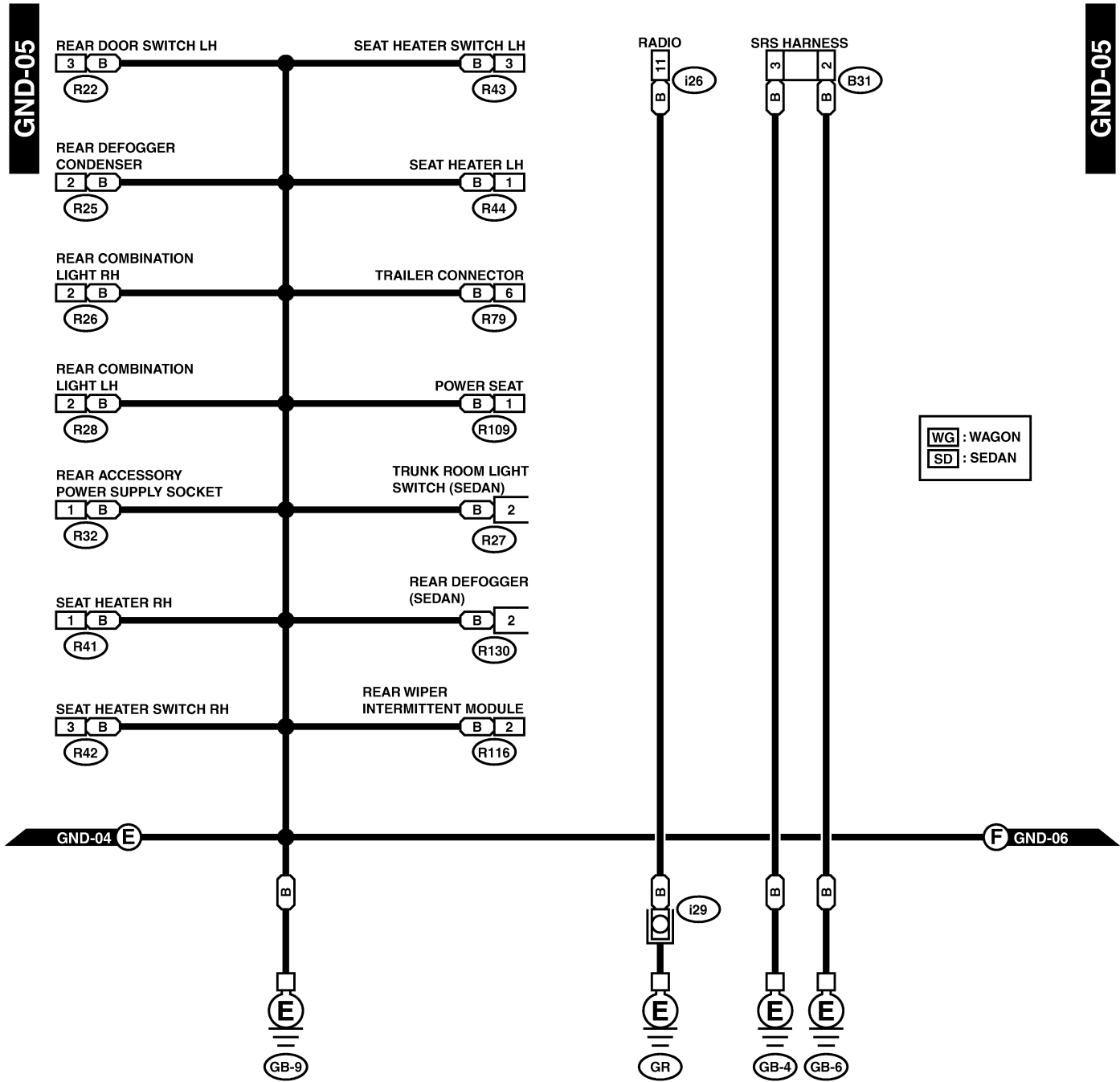
GROUND DISTRIBUTION

Wiring System



GROUND DISTRIBUTION

Wiring System

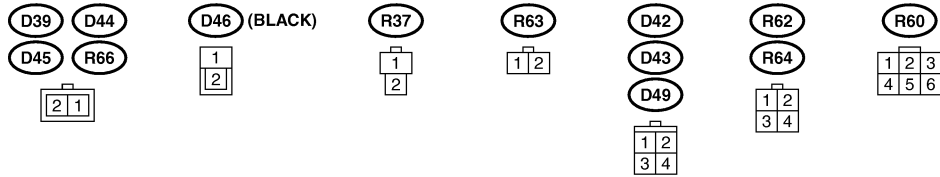
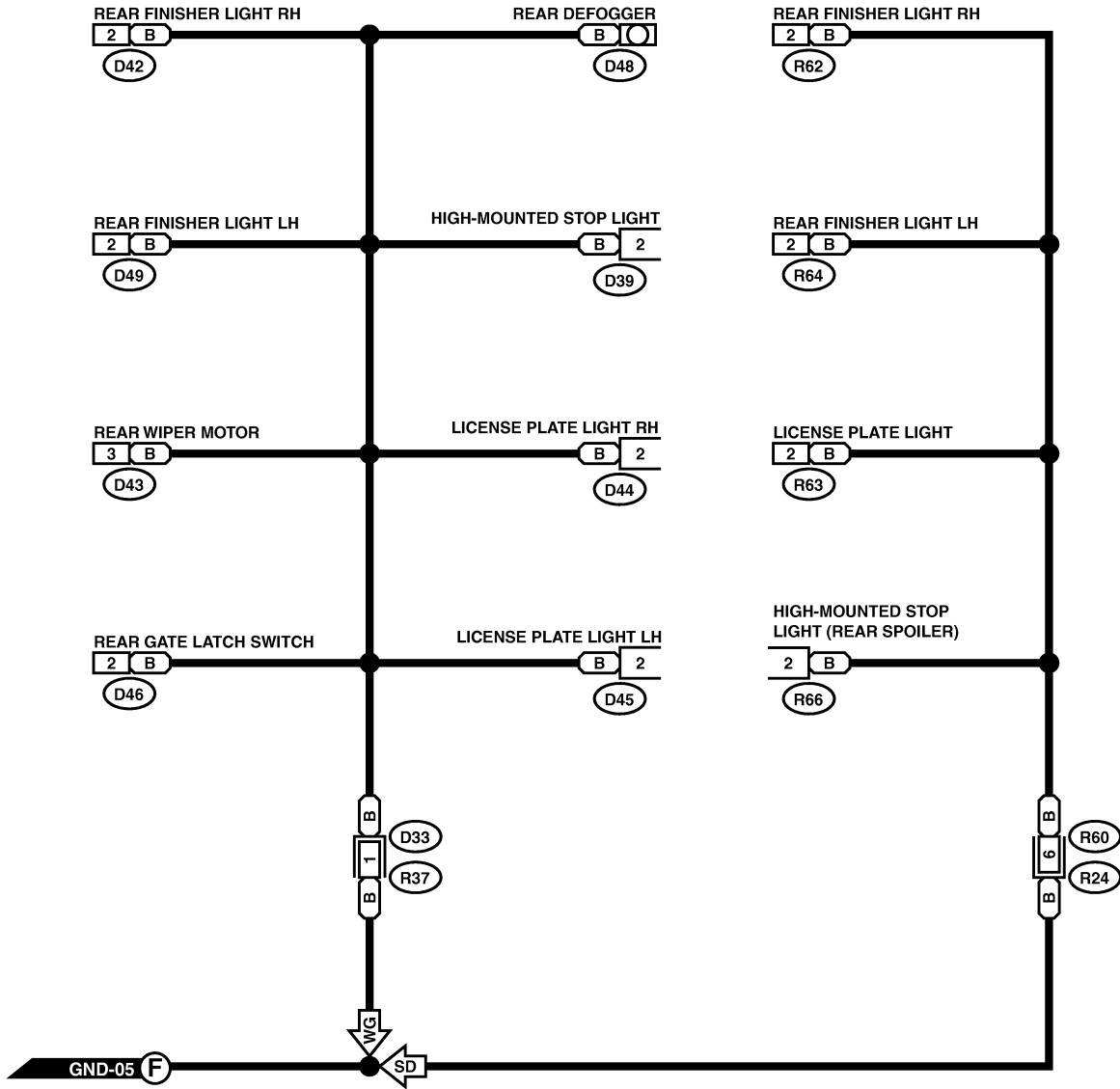
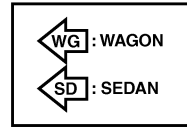


GROUND DISTRIBUTION

Wiring System

GND-06

GND-06



GROUND DISTRIBUTION

Wiring System

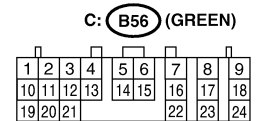
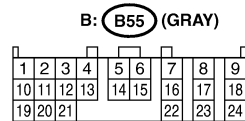
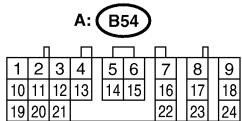
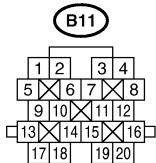
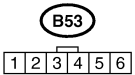
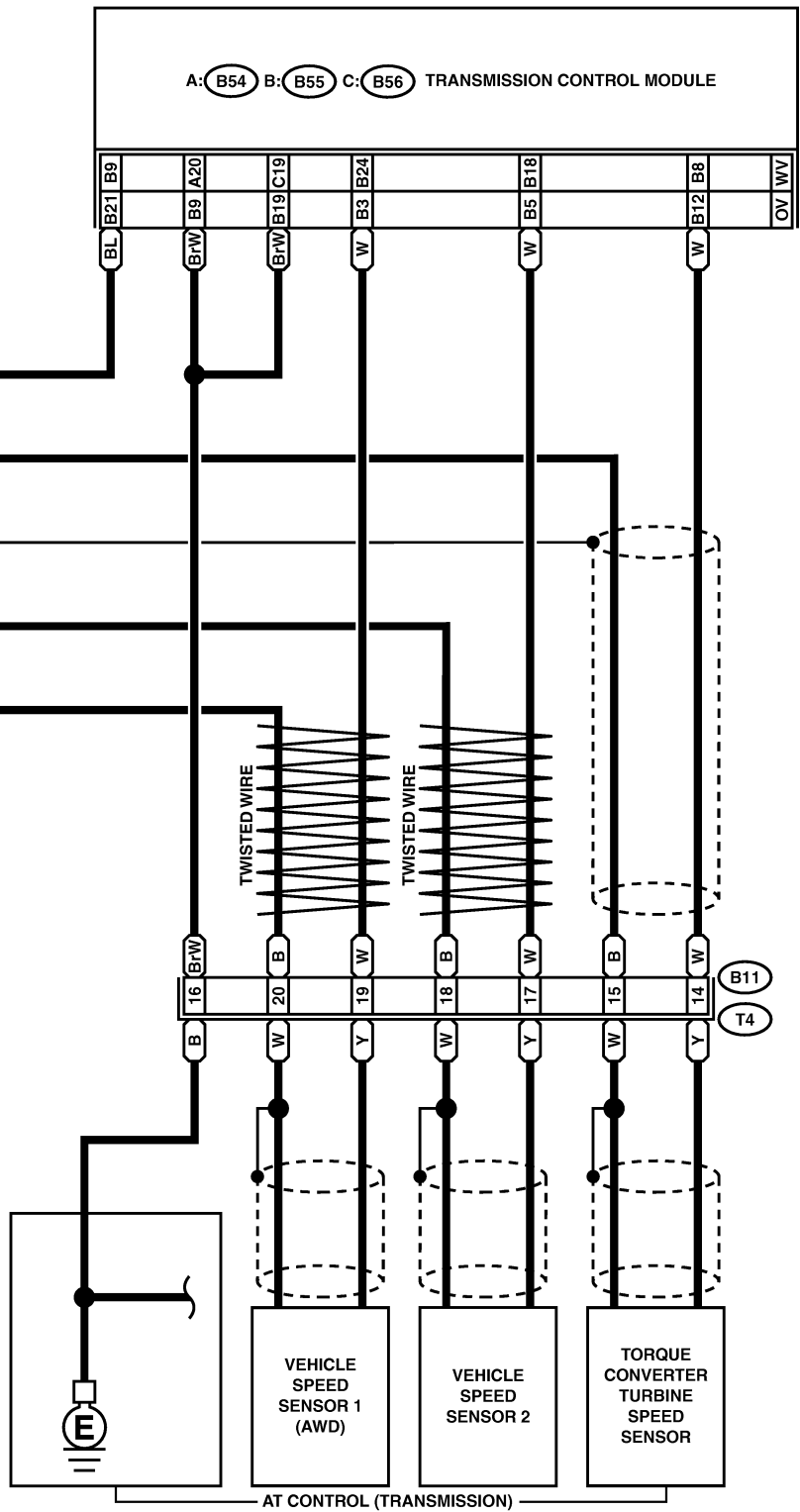
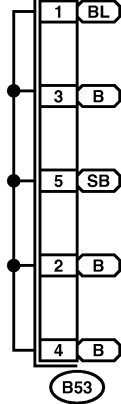
GND-07

GND-07

OV : WITHOUT VDC MODEL
WV : WITH VDC MODEL

A: B54 B: B55 C: B56 TRANSMISSION CONTROL MODULE

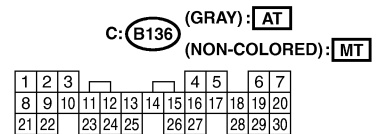
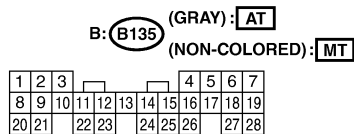
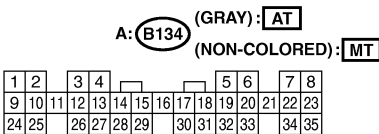
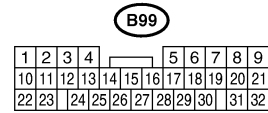
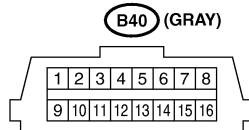
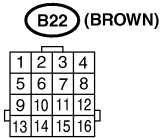
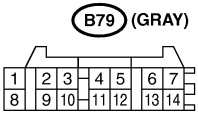
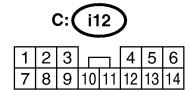
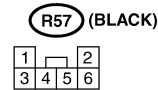
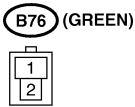
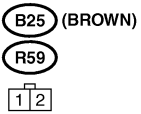
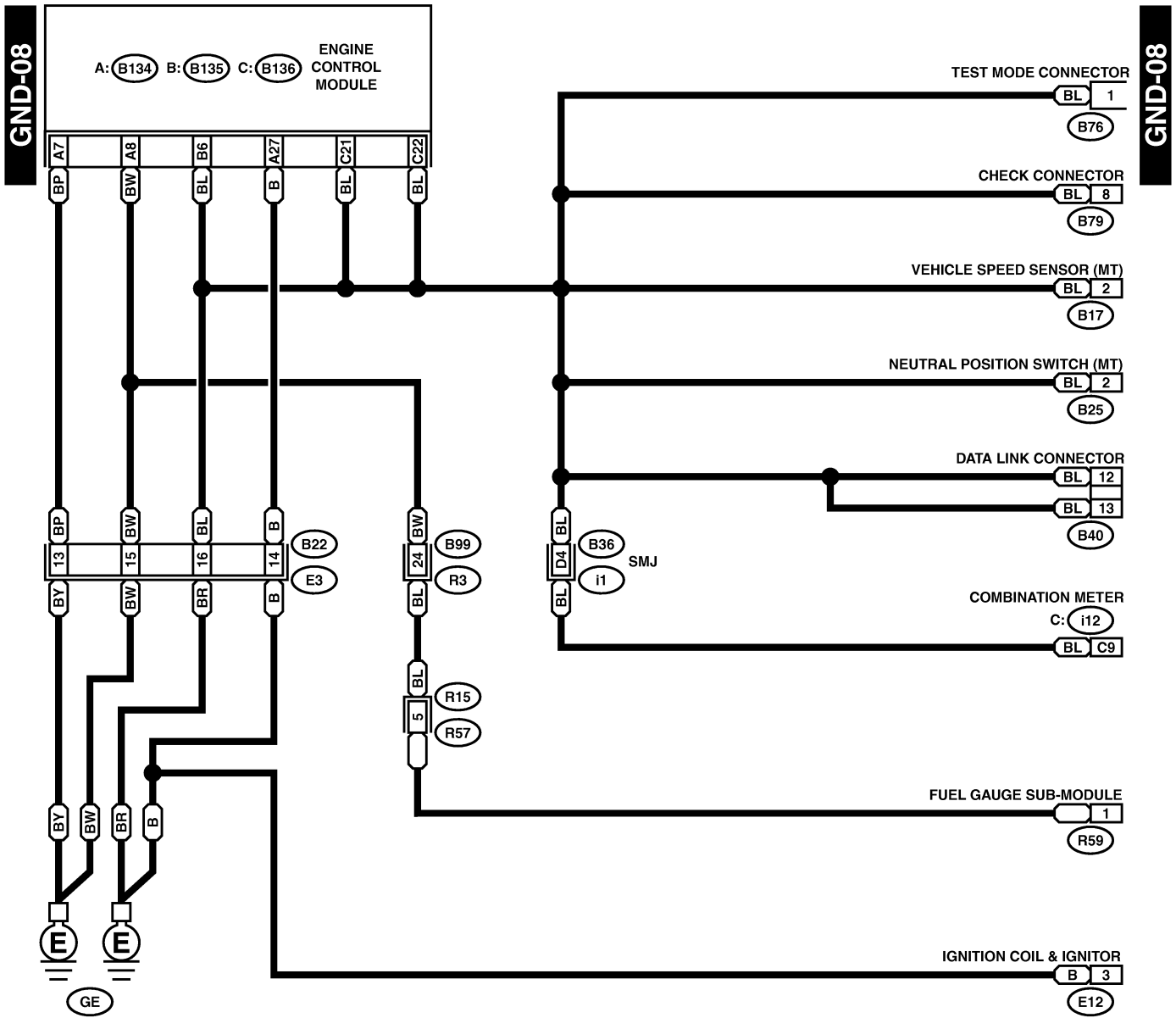
SHIELD JOINT CONNECTOR



BU04-21G

GROUND DISTRIBUTION

Wiring System



GROUND DISTRIBUTION

Wiring System

