

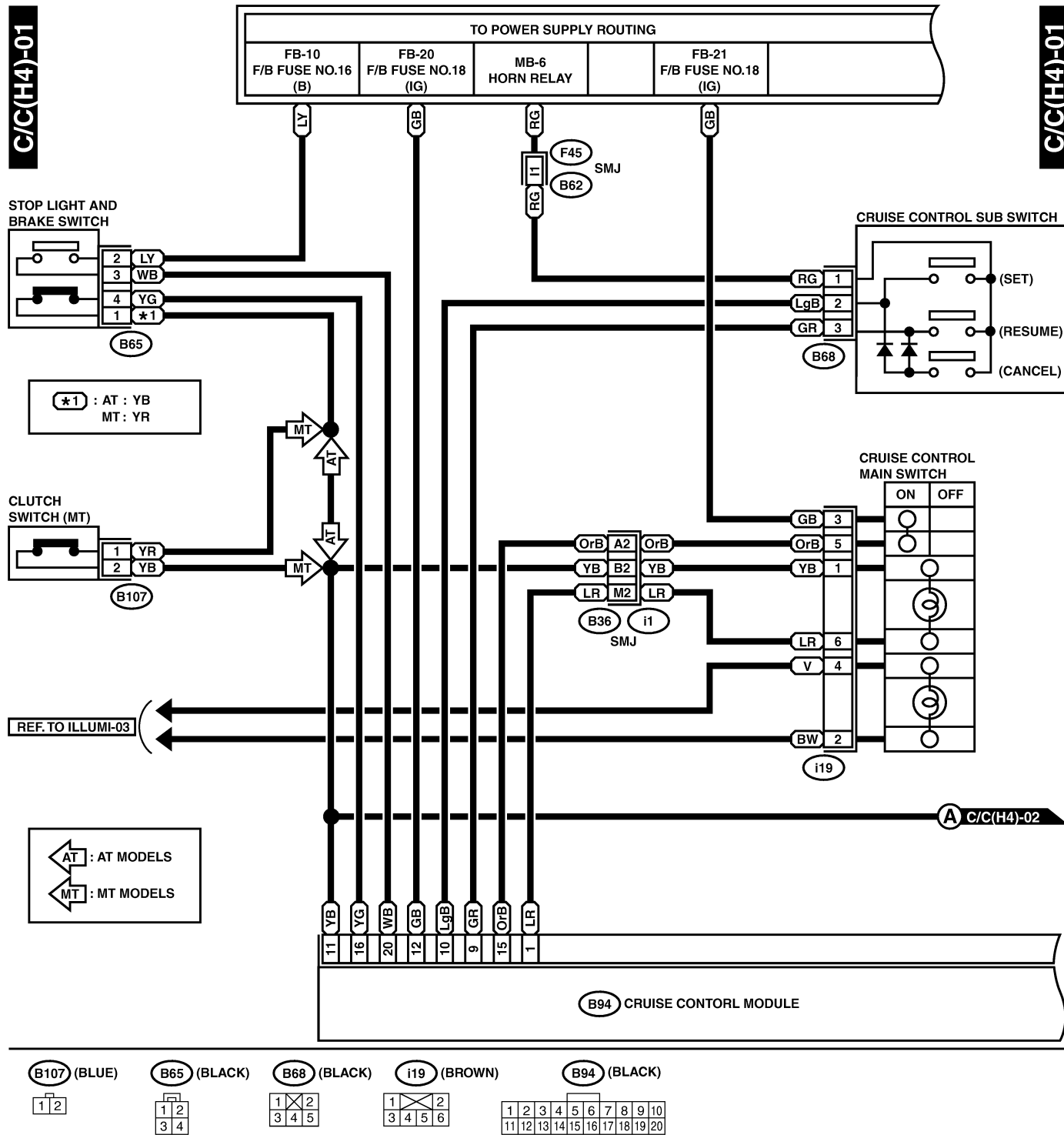
14. Cruise Control System S903495

A: SCHEMATIC S903495A21

CRUISE CONTROL SYSTEM

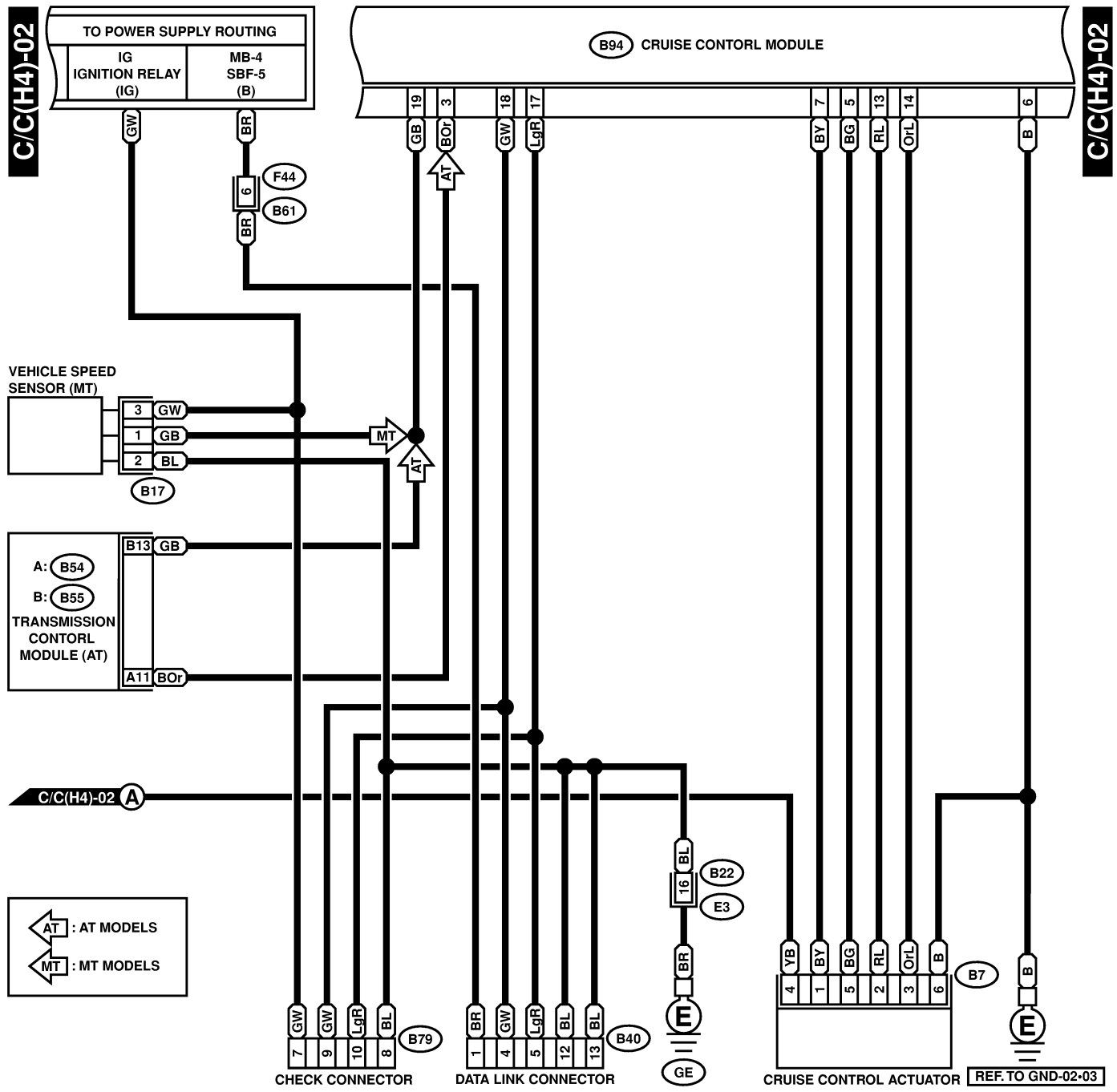
Wiring System

1. 4-CYLINDER ENGINE MODEL S903495A2103



CRUISE CONTROL SYSTEM

Wiring System



B17 (BLACK)



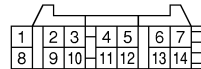
B7 (BLACK)



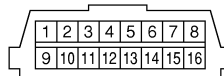
F44



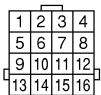
B79 (GRAY)



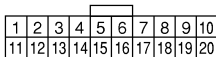
B40 (GRAY)



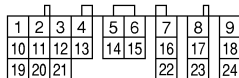
B22 (BROWN)



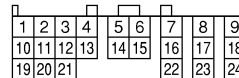
B94 (BLACK)



A: B54

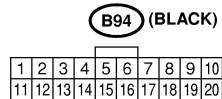
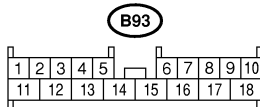
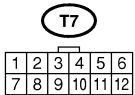
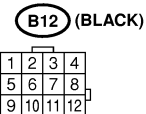
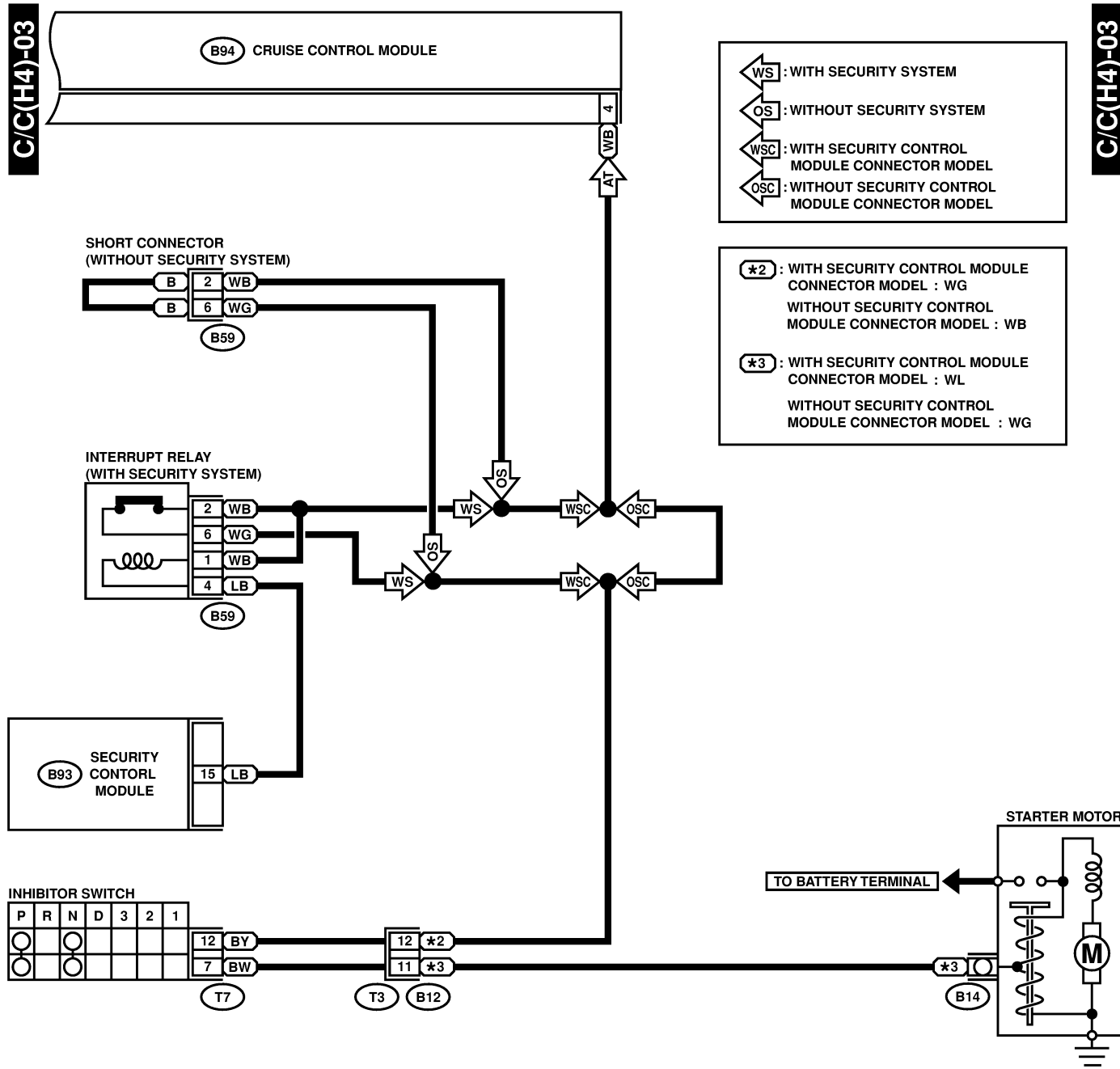


B: B55 (GRAY)



CRUISE CONTROL SYSTEM

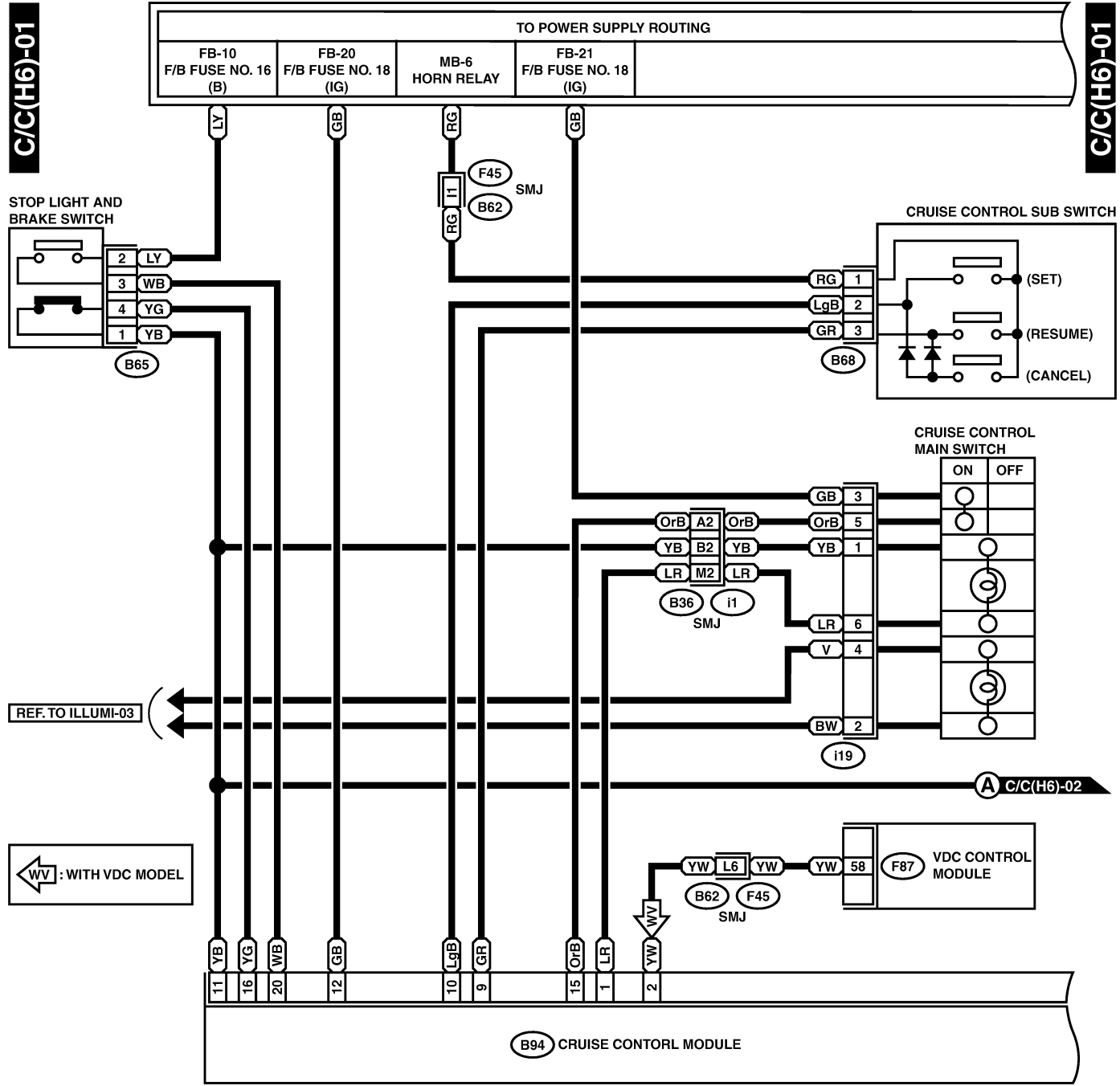
Wiring System



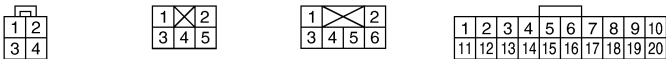
CRUISE CONTROL SYSTEM

Wiring System

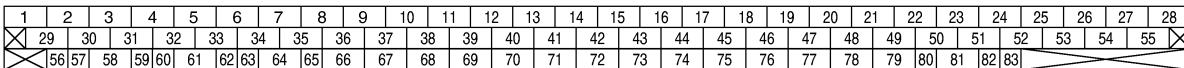
2. 6-CYLINDER ENGINE MODEL S903495A2104



B65 (BLACK) **B68 (BLACK)** **i19 (BROWN)** **B94 (BLACK)**

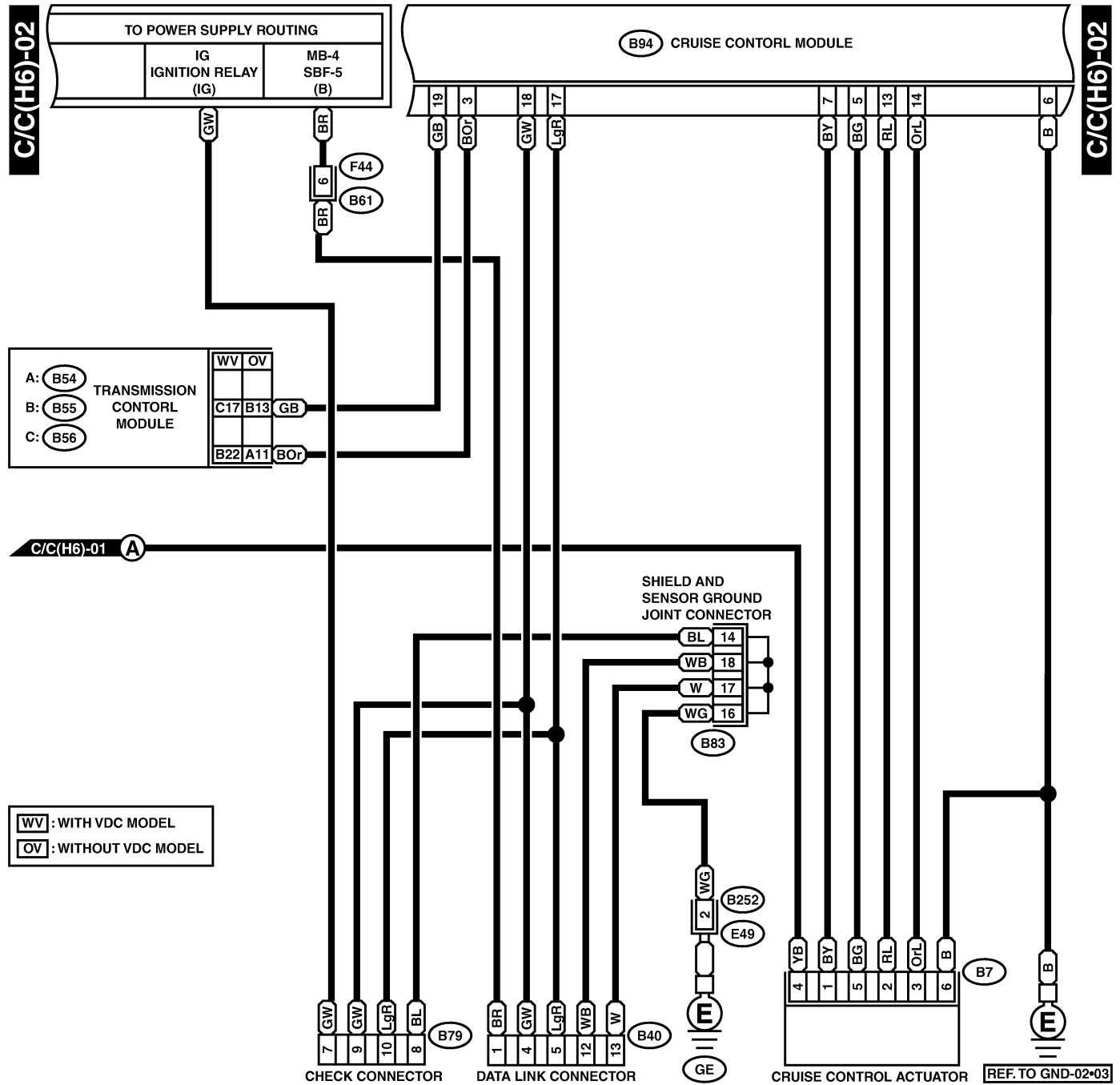


F87 (BLACK)



CRUISE CONTROL SYSTEM

Wiring System



B7 (BLACK)



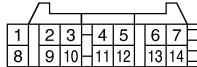
F44



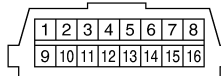
B252 (DARK GRAY)



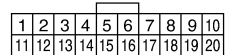
B79 (GRAY)



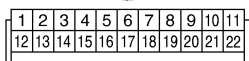
B40 (GRAY)



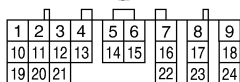
B94 (BLACK)



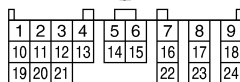
B83



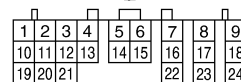
A: B54



B: B55 (GRAY)



C: B56 (GREEN)



CRUISE CONTROL SYSTEM

Wiring System

