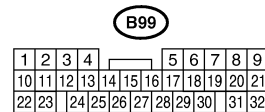
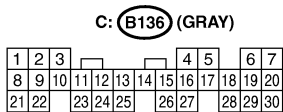
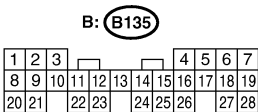
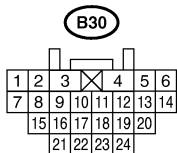
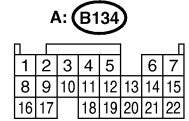
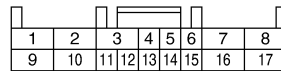
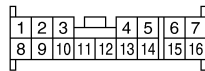
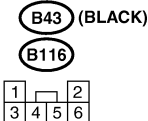
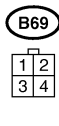
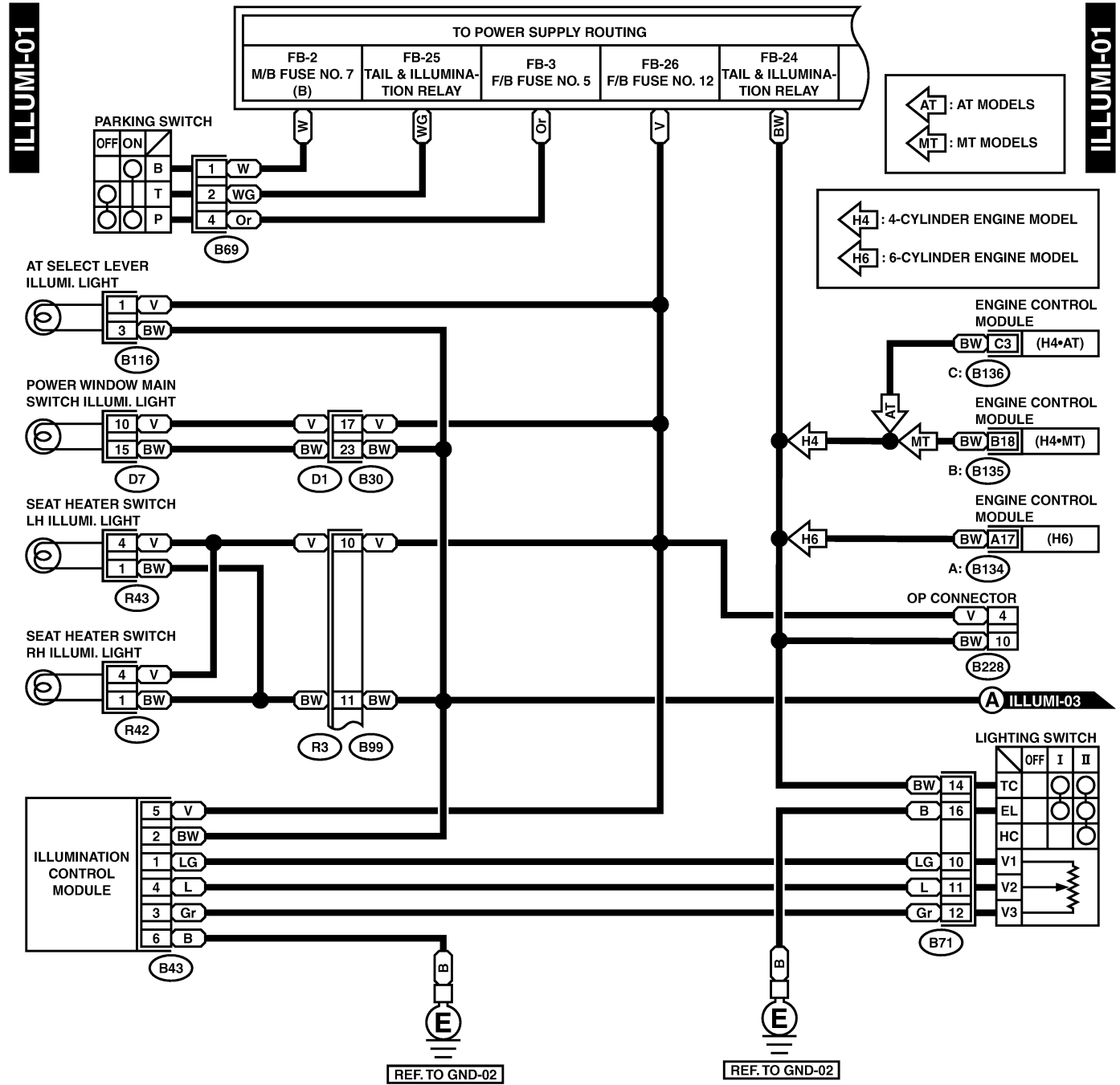


## 23. Clearance Light and Illumination Light System

S903489

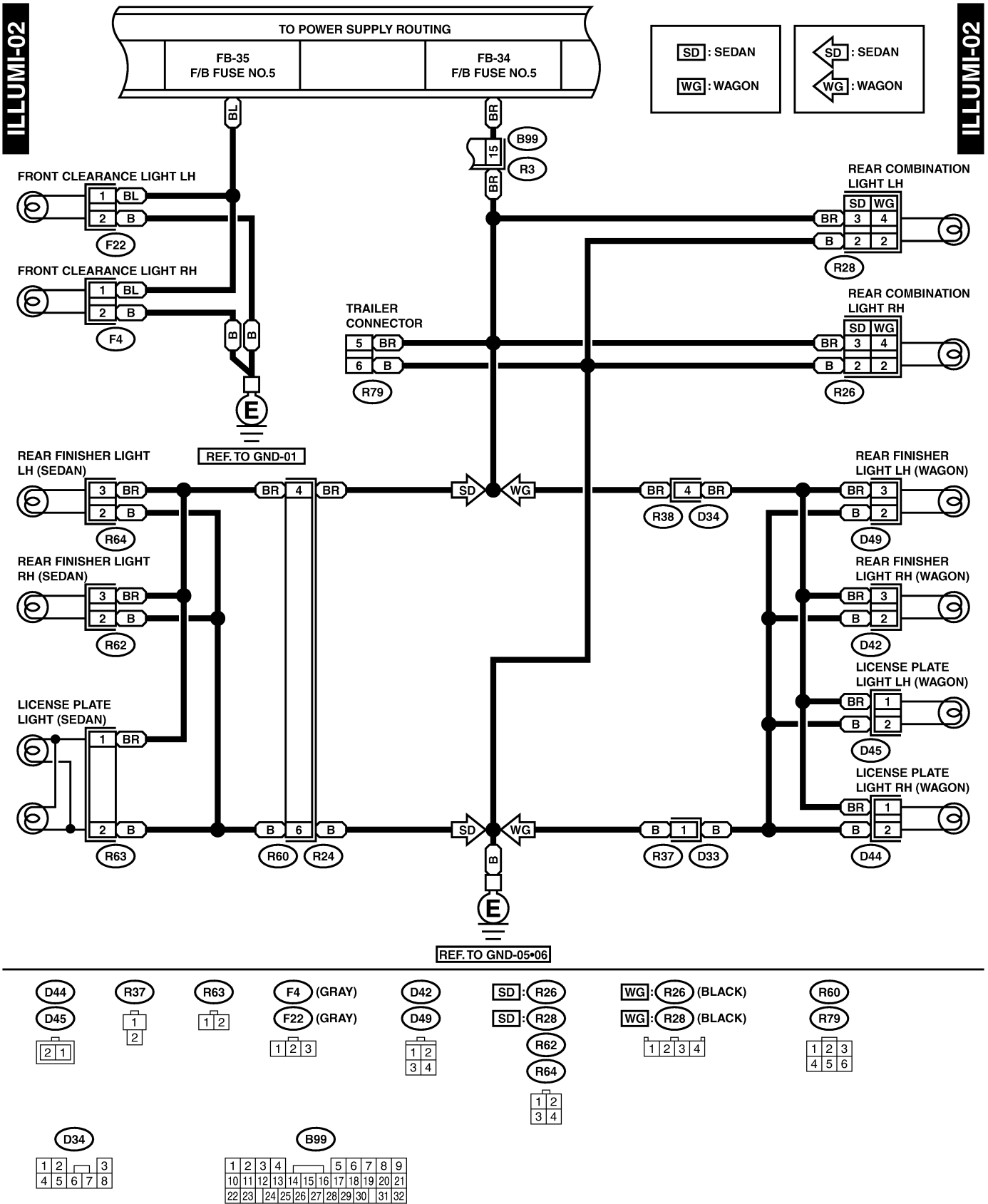
### A: SCHEMATIC

S903489A21



# CLEARANCE LIGHT AND ILLUMINATION LIGHT SYSTEM

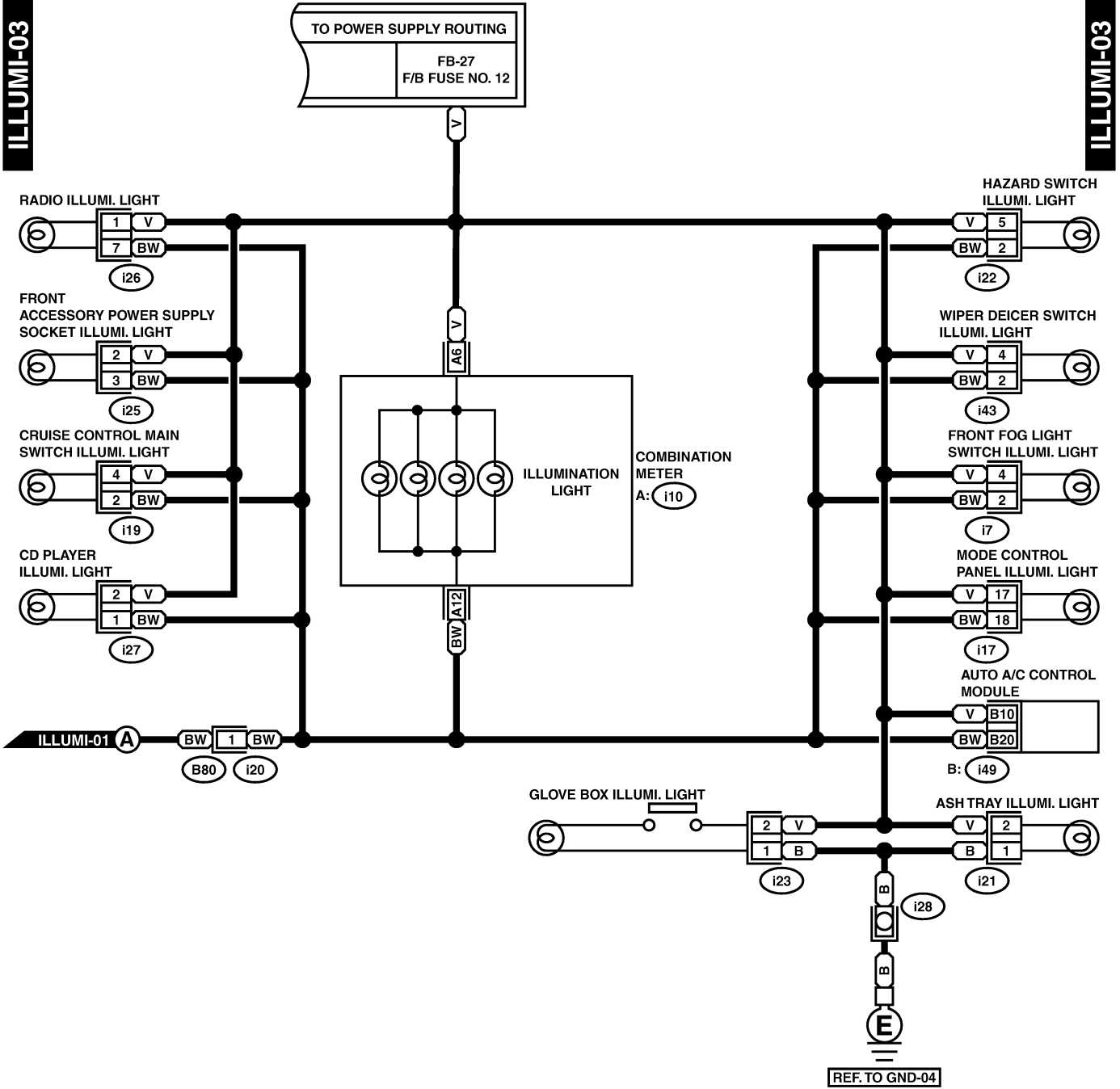
Wiring System



BU21-21B

# CLEARANCE LIGHT AND ILLUMINATION LIGHT SYSTEM

Wiring System



i21 (BLACK)



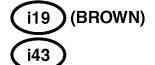
i23



i25



i7 (YELLOW)



i19 (BROWN)



i43



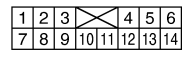
i20



i22

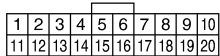


i26



i17 (GRAY)

B: i49 (GRAY)



A: i30 (GREEN)

