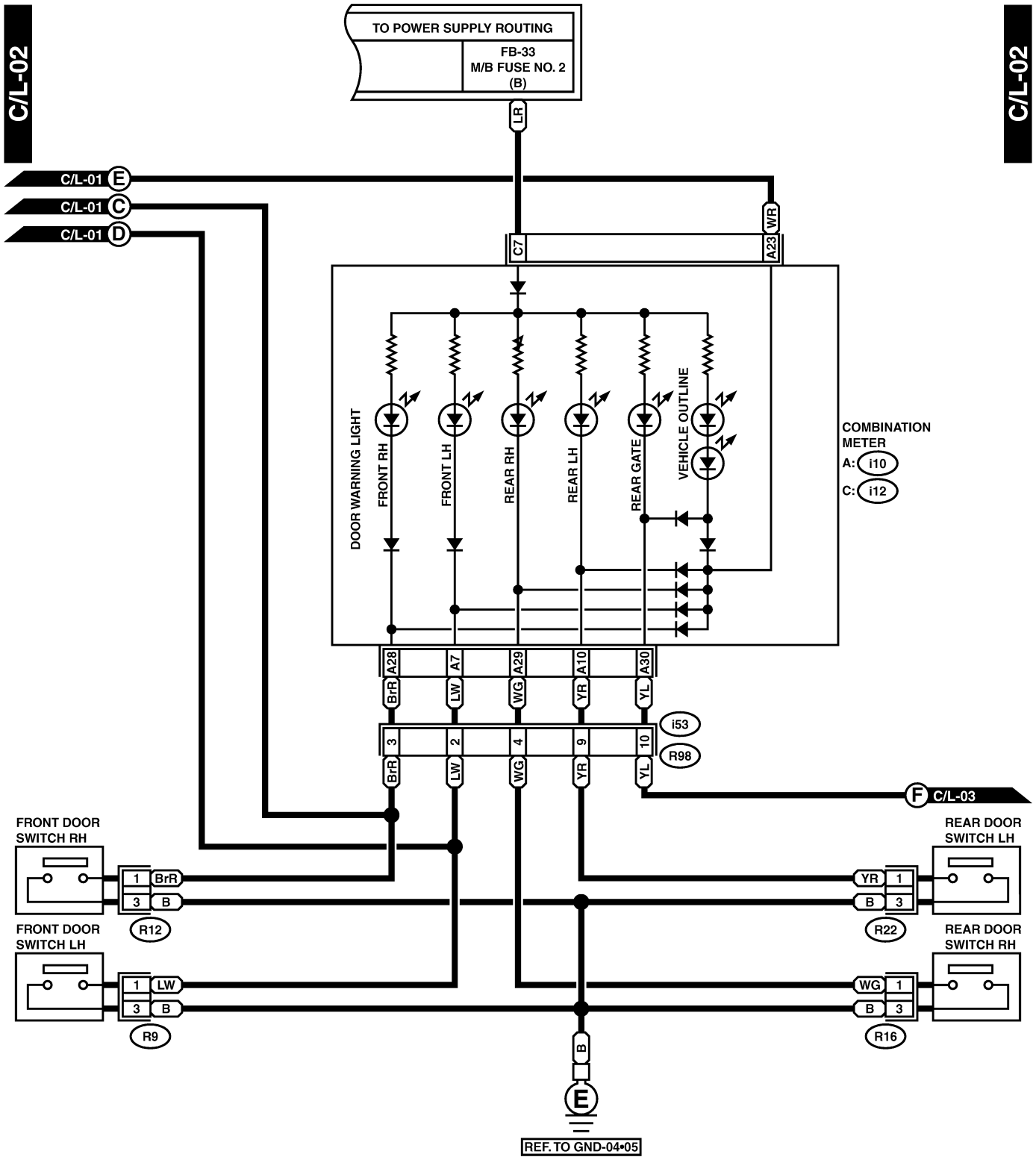
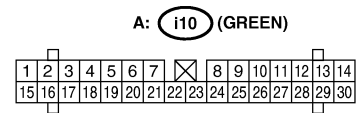
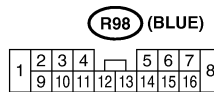
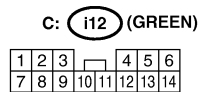
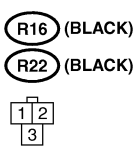


IN COMPARTMENT LIGHT SYSTEM

Wiring System



REF. TO GND-04*05



IN COMPARTMENT LIGHT SYSTEM

Wiring System

