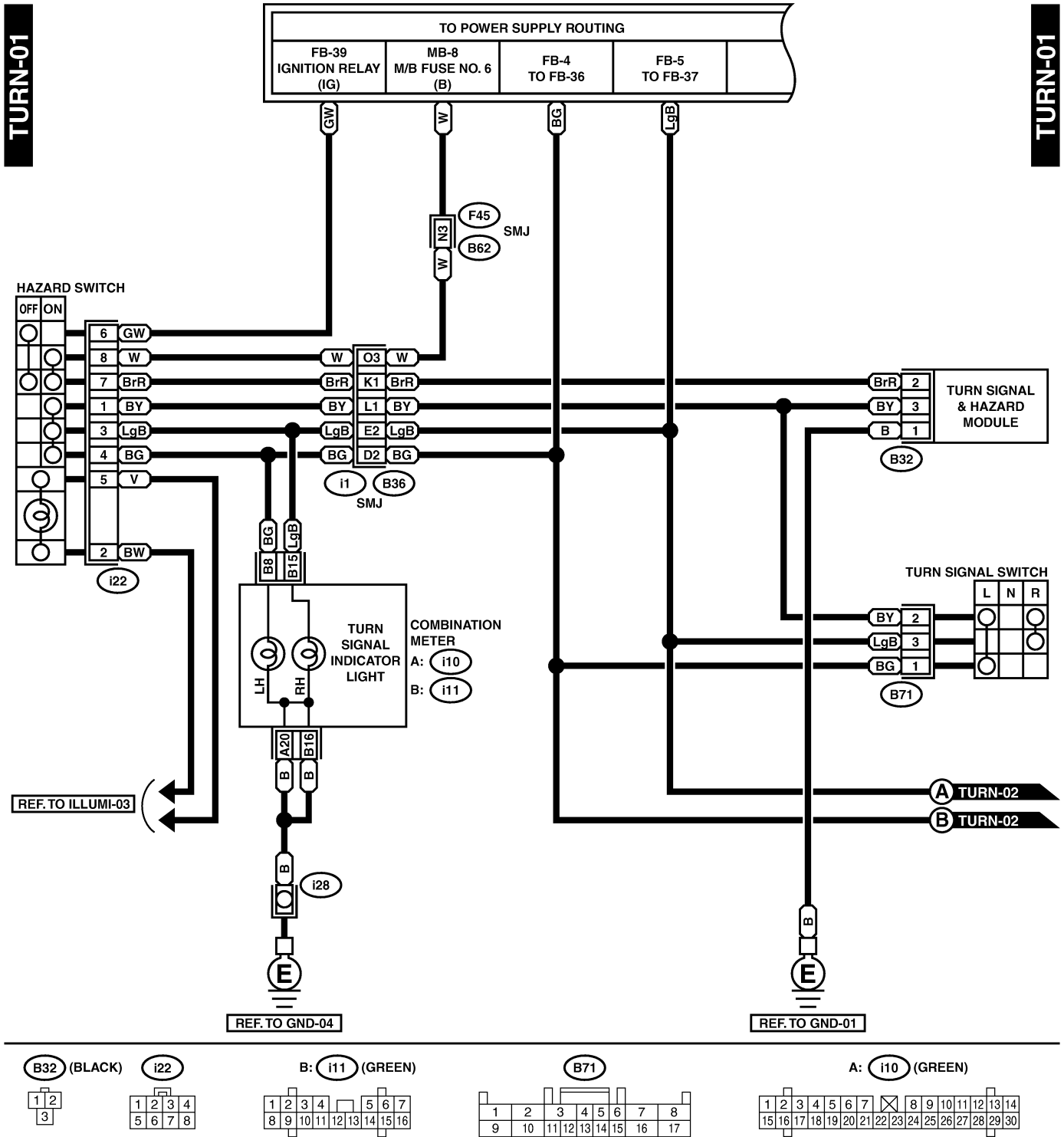


## 28. Turn Signal Light and Hazard Light System S903481

### A: SCHEMATIC S903481A21



# TURN SIGNAL LIGHT AND HAZARD LIGHT SYSTEM

Wiring System

