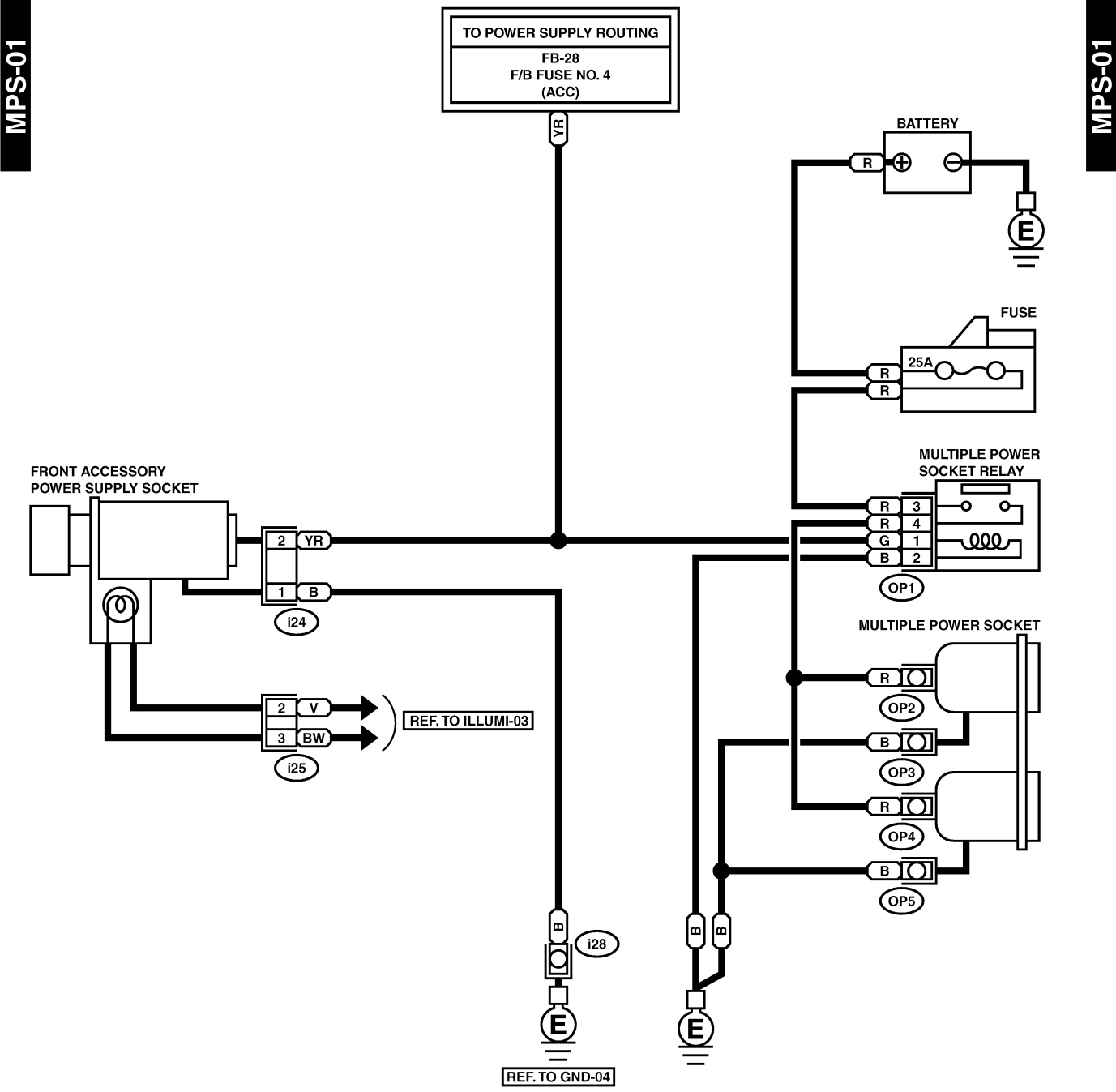


29. Multiple Power Socket System (Option) S903666

A: SCHEMATIC S903666A21



MPS-01

MPS-01

