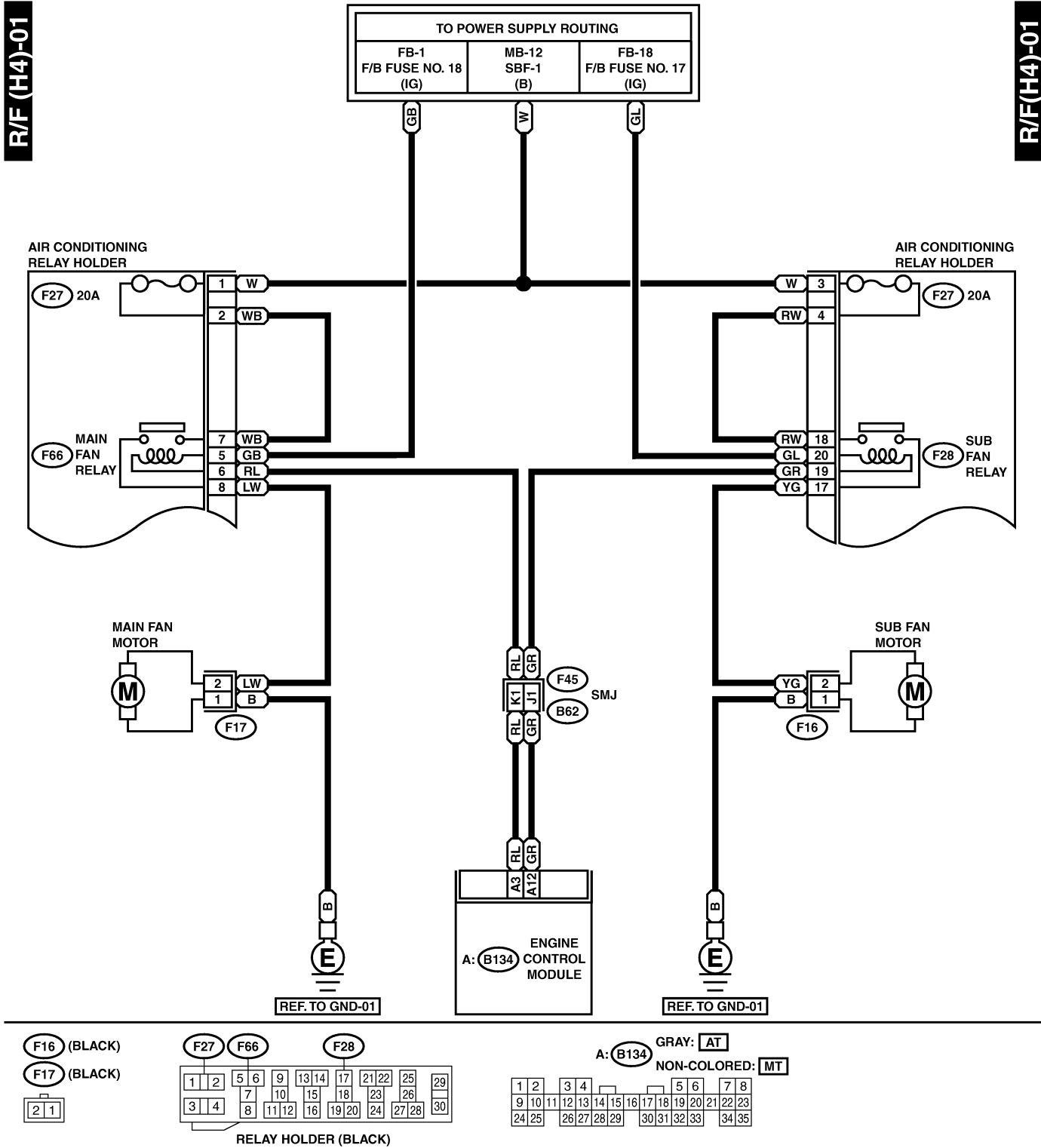


35. Radiator Fan System S903480

A: SCHEMATIC S903480A21

1. 4-CYLINDER ENGINE MODEL S903480A2101



R/F(H4)-01

R/F(H4)-01

RADIATOR FAN SYSTEM

Wiring System

2. 6-CYLINDER ENGINE MODEL S903480A2102

R/F(H6)-01

R/F(H6)-01

