

# REAR WINDOW DEFOGGER SYSTEM

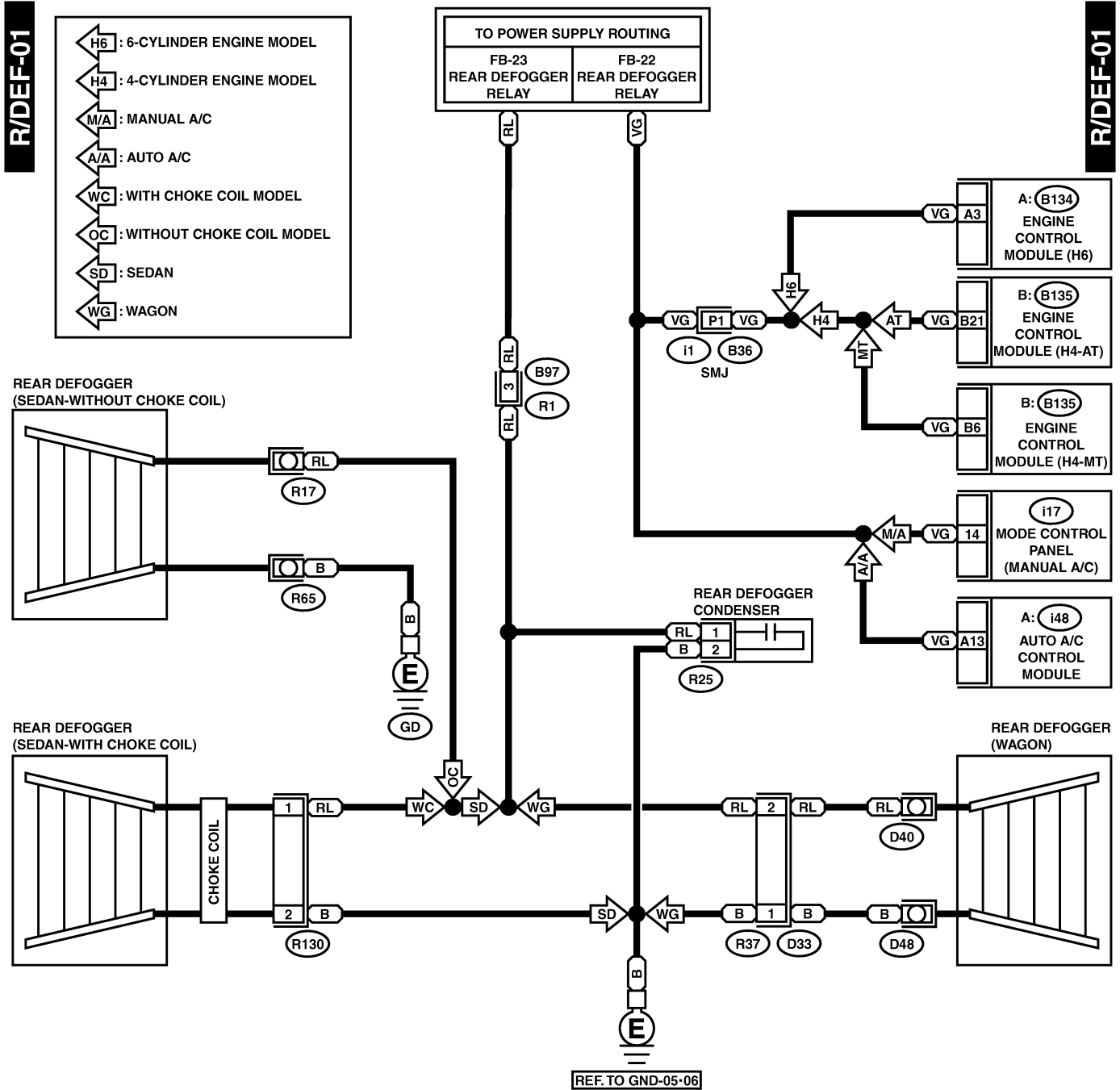
Wiring System

## 37. Rear Window Defogger System

S903455

### A: SCHEMATIC

S90345A21



REF. TO GND-05-06

