

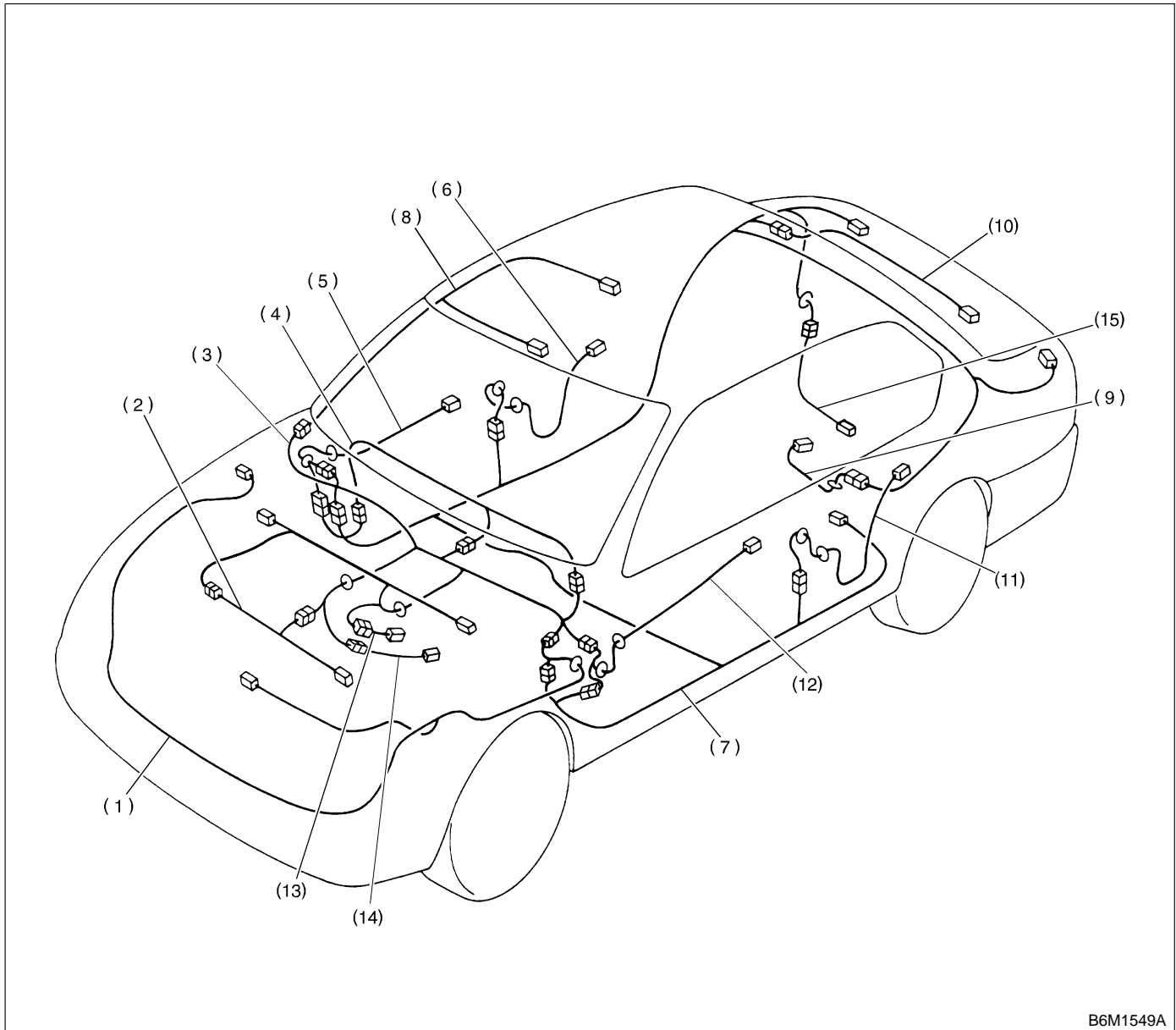
# OVERALL SYSTEMS

Wiring System

## 49. Overall Systems S903672

### A: LOCATION S903672A13

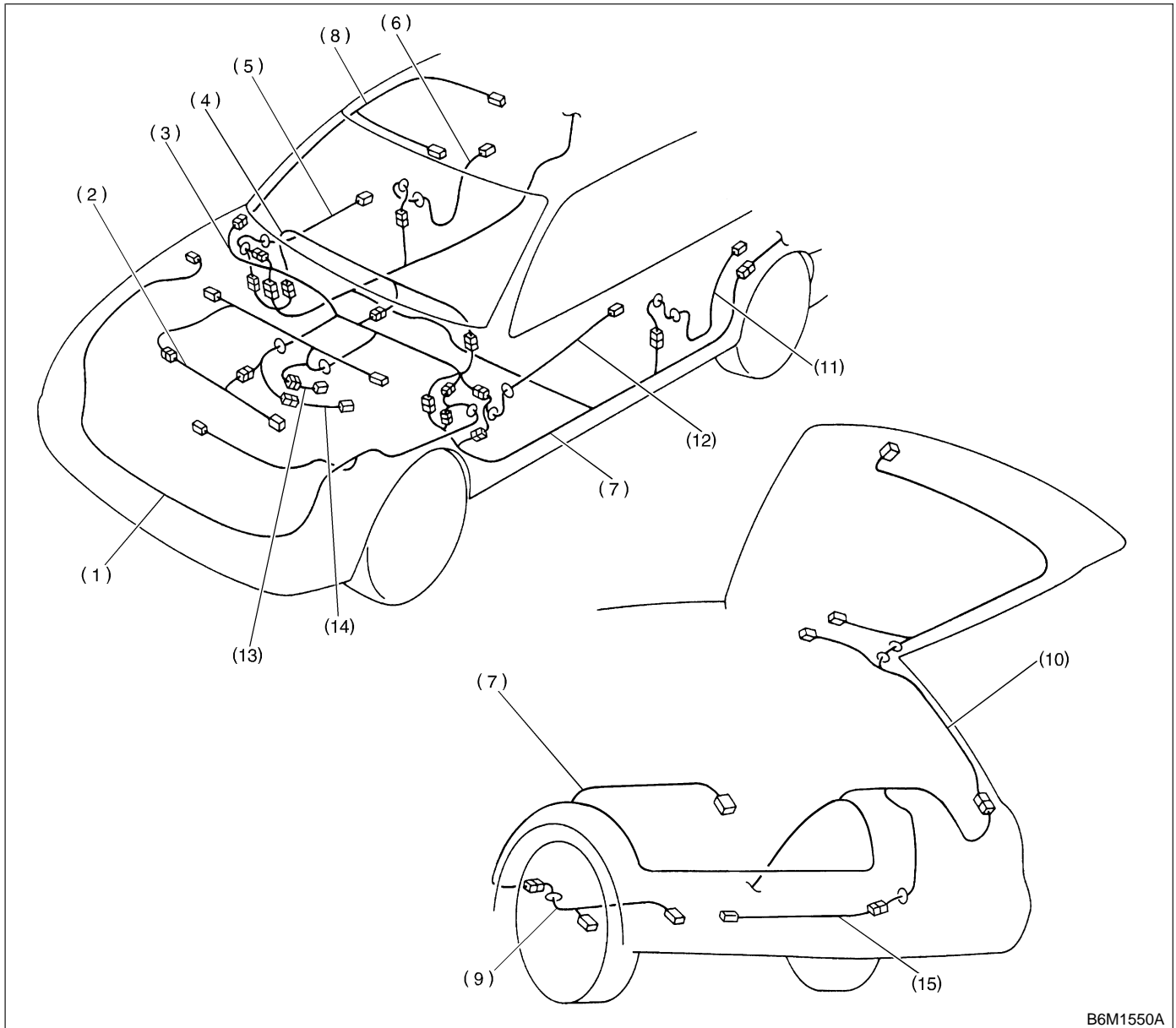
#### 1. SEDAN MODEL S903672A1301



B6M1549A

- |                                     |                         |                              |
|-------------------------------------|-------------------------|------------------------------|
| (1) Front wiring harness            | (6) Rear door cord RH   | (11) Rear door cord LH       |
| (2) Engine wiring harness           | (7) Rear wiring harness | (12) Front door cord LH      |
| (3) Bulkhead wiring harness         | (8) Roof cord           | (13) Transmission cord       |
| (4) Instrument panel wiring harness | (9) Fuel tank cord      | (14) Rear oxygen sensor cord |
| (5) Front door cord RH              | (10) Trunk lid cord     | (15) ORVR cord               |

## 2. WAGON MODEL S903672A1302



B6M1550A

- |                                     |                         |                              |
|-------------------------------------|-------------------------|------------------------------|
| (1) Front wiring harness            | (6) Rear door cord RH   | (11) Rear door cord LH       |
| (2) Engine wiring harness           | (7) Rear wiring harness | (12) Front door cord LH      |
| (3) Bulkhead wiring harness         | (8) Roof cord           | (13) Transmission cord       |
| (4) Instrument panel wiring harness | (9) Fuel tank cord      | (14) Rear oxygen sensor cord |
| (5) Front door cord RH              | (10) Rear gate cord     | (15) ORVR cord               |