

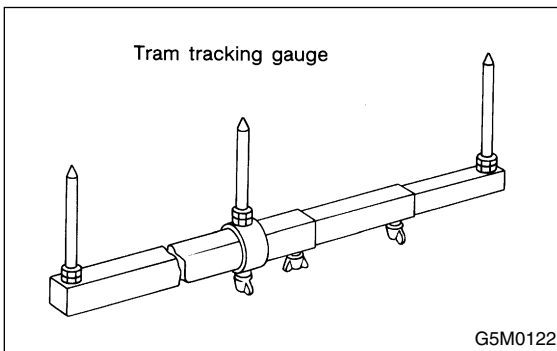
3. Datum Dimensions S906337

A: MEASUREMENT S906337A14

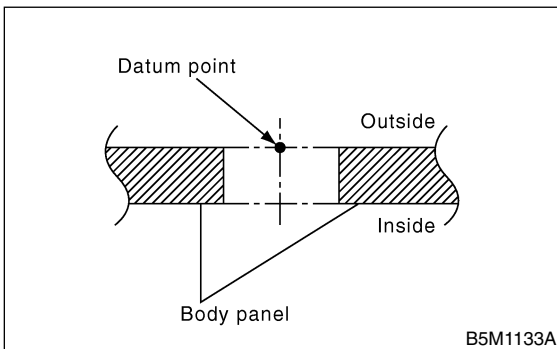
Refer to LOCATION for details on measurement points. <Ref. to BS-3, LOCATION, Datum Points.>

NOTE:

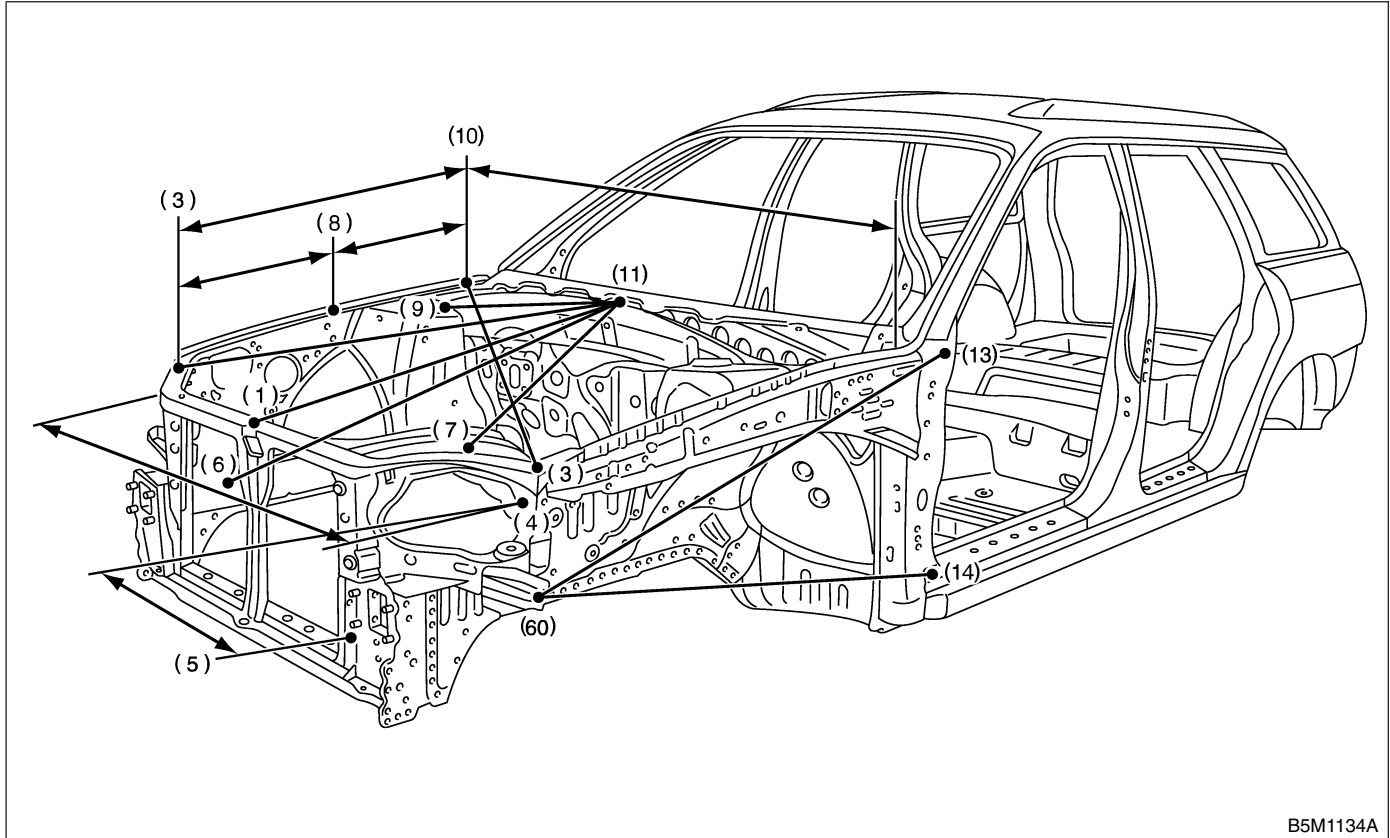
- Using a tram tracking gauge, measure all the dimensions.
- When using a tape measure, carefully measure dimensions without letting the tape measure sag or twist.
- Measure the linear dimensions between cores of holes.
- Suffixes "RH" and "LH" indicate right-hand and left-hand.



- Measure at the center of the circle around the outside of the body panel.



1. FRONT STRUCTURE S906337A1401



B5M1134A

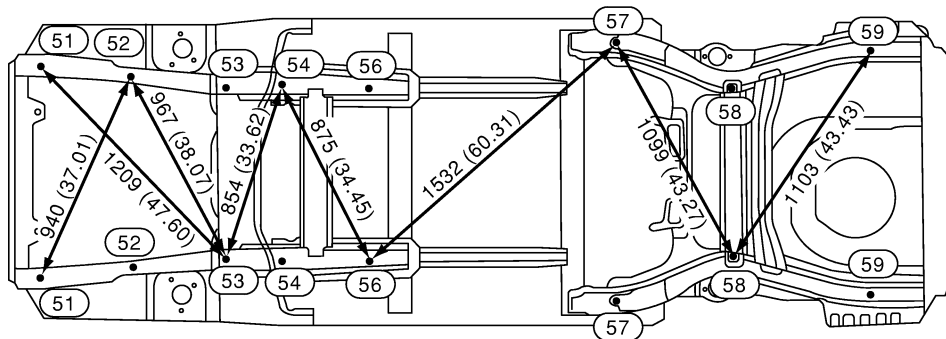
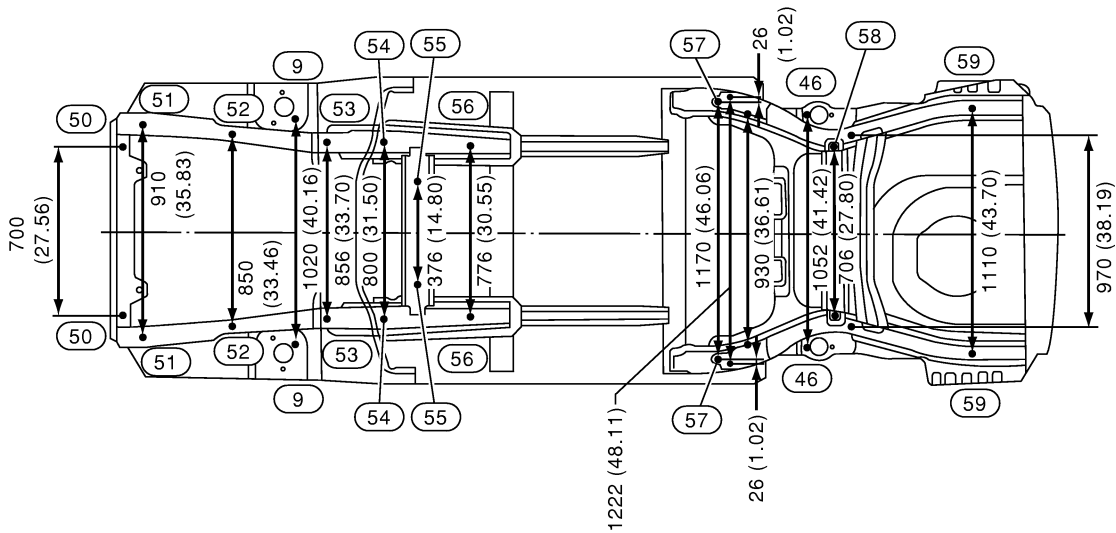
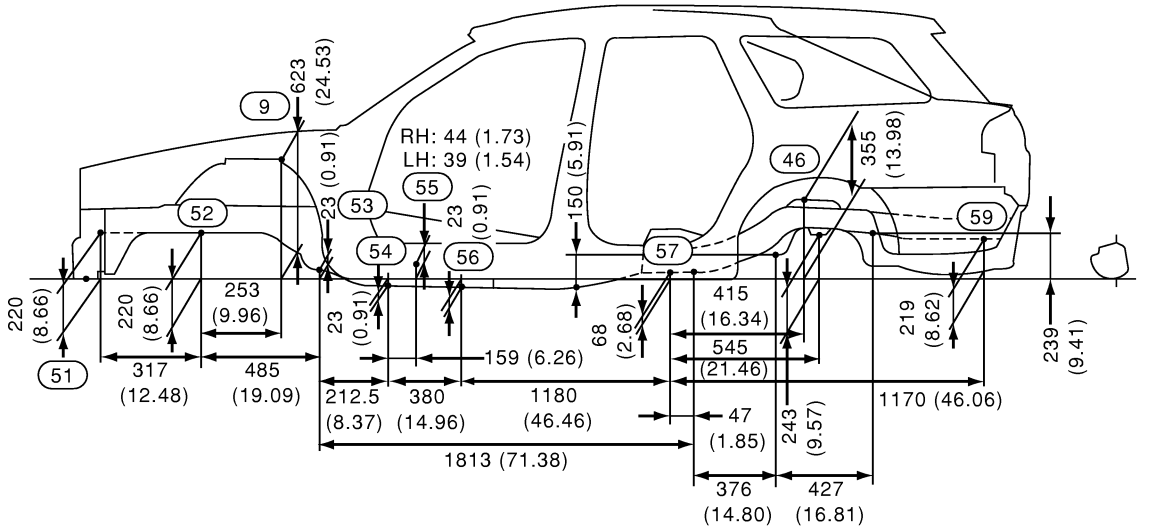
Point to point	Dimension	Point to point	Dimension
(11) to (1)	888 (34.96)	(4) RH to (4) LH	1,320 (51.97)
(11) to (9) RH	519 (20.43)	(5) RH to (4) LH	1,073 (42.24)
(11) to (9) LH	519 (20.43)	(5) LH to (4) RH	1,073 (42.24)
(11) to (6) RH	950 (37.40)	(6) RH to (13) RH	1,179 (46.42)
(11) to (6) LH	950 (37.40)	(6) LH to (13) LH	1,179 (46.42)
(11) to (3) RH	1,008 (39.68)	(6) RH to (14) RH	1,135 (44.68)
(11) to (3) LH	1,008 (39.68)	(6) LH to (14) LH	1,135 (44.68)
(10) RH to (3) RH	897 (35.31)	(10) RH to (3) LH	1,679 (66.10)
(10) RH to (8) RH	504 (19.84)	(10) LH to (3) RH	1,679 (66.10)
(10) LH to (8) LH	504 (19.84)	(8) RH to (8) LH	1,398 (55.04)
(9) RH to (9) LH	1,020 (40.16)	(8) RH to (10) LH	1,519 (59.80)
(6) RH to (6) LH	870 (34.25)	(8) LH to (10) RH	1,519 (59.80)
(6) RH to (10) LH	1,522 (59.92)	(3) RH to (8) LH	1,439 (56.65)
(6) LH to (10) RH	1,522 (59.92)	(3) LH to (8) RH	1,439 (56.65)
(8) RH to (3) RH	395 (15.55)	(7) RH to (7) LH	860 (33.86)
(8) LH to (3) LH	395 (15.55)	(7) RH to (6) LH	943 (37.13)
(10) RH to (10) LH	1,470 (57.87)	(7) LH to (6) RH	943 (37.13)
(3) RH to (3) LH	1,370 (53.94)	(7) RH to (10) LH	1,322 (52.05)
(5) RH to (5) LH	720 (28.35)	(7) LH to (10) RH	1,322 (52.05)

Unit: mm (in)

DATUM DIMENSIONS

Body Structure

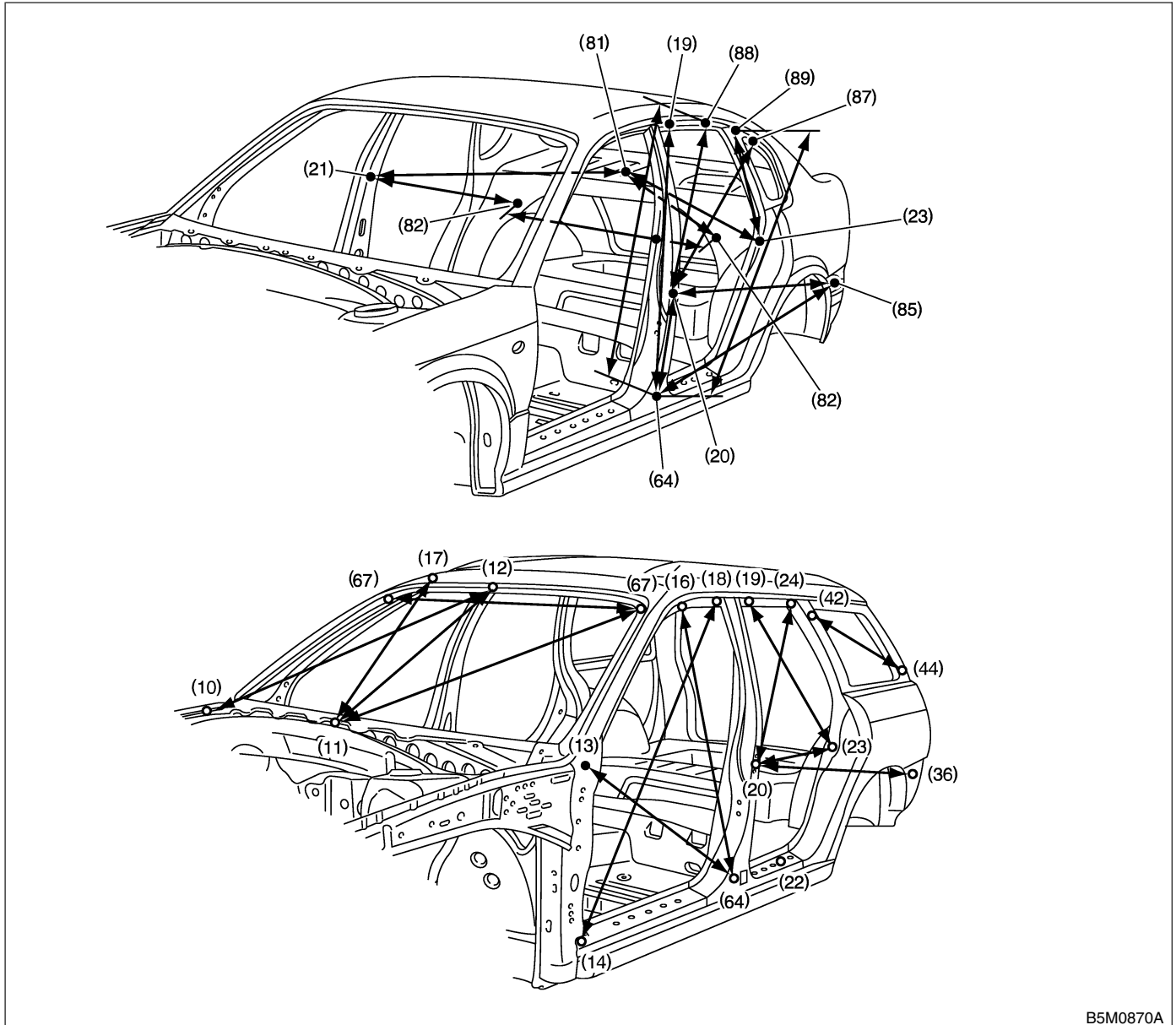
2. CENTER STRUCTURE S906337A1402



Unit: mm (in)

B5M0879A

3. WINDSHIELD AND DOORS S906337A1403



B5M0870A

DATUM DIMENSIONS

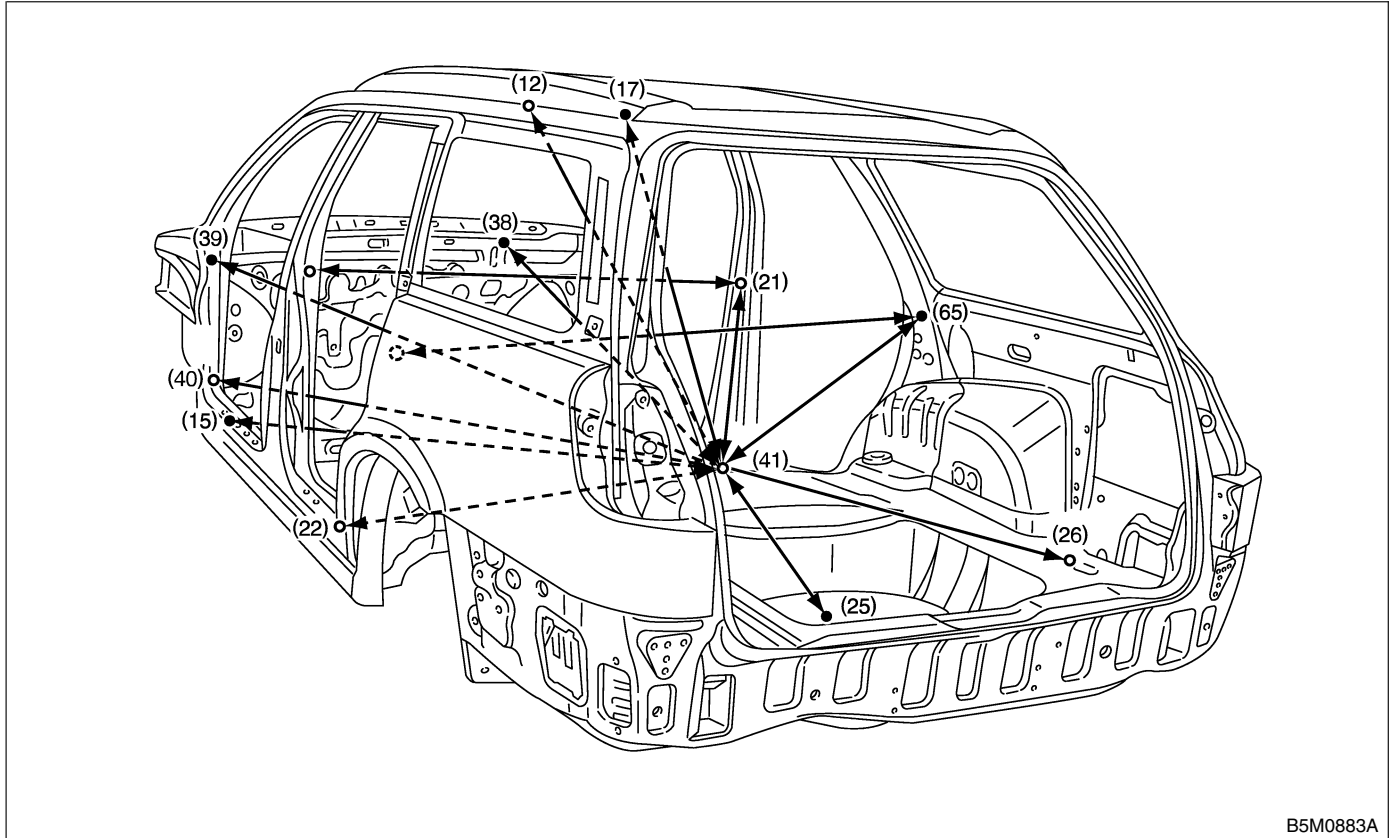
Body Structure

Point to point	Dimension	Point to point	Dimension
(14) RH to (18) RH	1,425 (56.10)	(12) to (10) RH	1,136 (44.72)
(14) LH to (18) LH	1,425 (56.10)	(12) to (10) LH	1,136 (44.72)
(13) RH to (64) RH	1,031 (40.59)	(11) to (17) RH	1,130 (44.49)
(13) LH to (64) LH	1,031 (40.59)	(11) to (17) LH	1,130 (44.49)
(16) RH to (64) RH	966 (38.03)	(81) to (82) RH	611 (24.06)
(16) LH to (64) LH	966 (38.03)	(81) to (82) LH	611 (24.06)
(20) RH to (23) RH	864 (34.02)	(81) to (21) RH	1,309 (51.54)
(20) LH to (23) LH	864 (34.02)	(81) to (21) LH	1,309 (51.54)
(20) RH to (24) RH	863 (33.98)	(81) to (23) RH	812 (31.97)
(20) LH to (24) LH	863 (33.98)	(81) to (23) LH	812 (31.97)
(19) RH to (23) RH	899 (35.39)	(82) LH to (21) LH	1,019 (40.12)
(19) LH to (23) LH	899 (35.39)	(82) RH to (21) LH	1,606 (63.23)
(20) RH to (36) RH	1,548 (60.94)	(82) RH to (82) LH	1,140 (44.88)
(20) LH to (36) LH	1,548 (60.94)	(85) LH to (20) LH	1,548 (60.94)
(42) RH to (44) RH	1,037 (40.83)	(85) LH to (64) LH	1,650 (64.96)
(42) LH to (44) LH	1,037 (40.83)	(19) LH to (64) LH	1,029 (40.51)
(11) to (12)	989 (38.94)	(20) LH to (87) LH	911 (35.87)
(67) RH to (67) LH	1,100 (43.31)	(20) LH to (88) LH	842 (33.15)
(11) to (67) RH	1,119 (44.06)	(20) LH to (64) LH	399 (15.71)
(11) to (67) LH	1,119 (44.06)	(23) LH to (89) LH	552 (21.73)
(12) to (67) RH	551 (21.69)	(88) LH to (64) LH	1,192 (46.93)
(12) to (67) LH	551 (21.69)	(89) LH to (64) LH	1,204 (47.40)

Unit: mm (in)

4. COMPARTMENT

S906337A1404



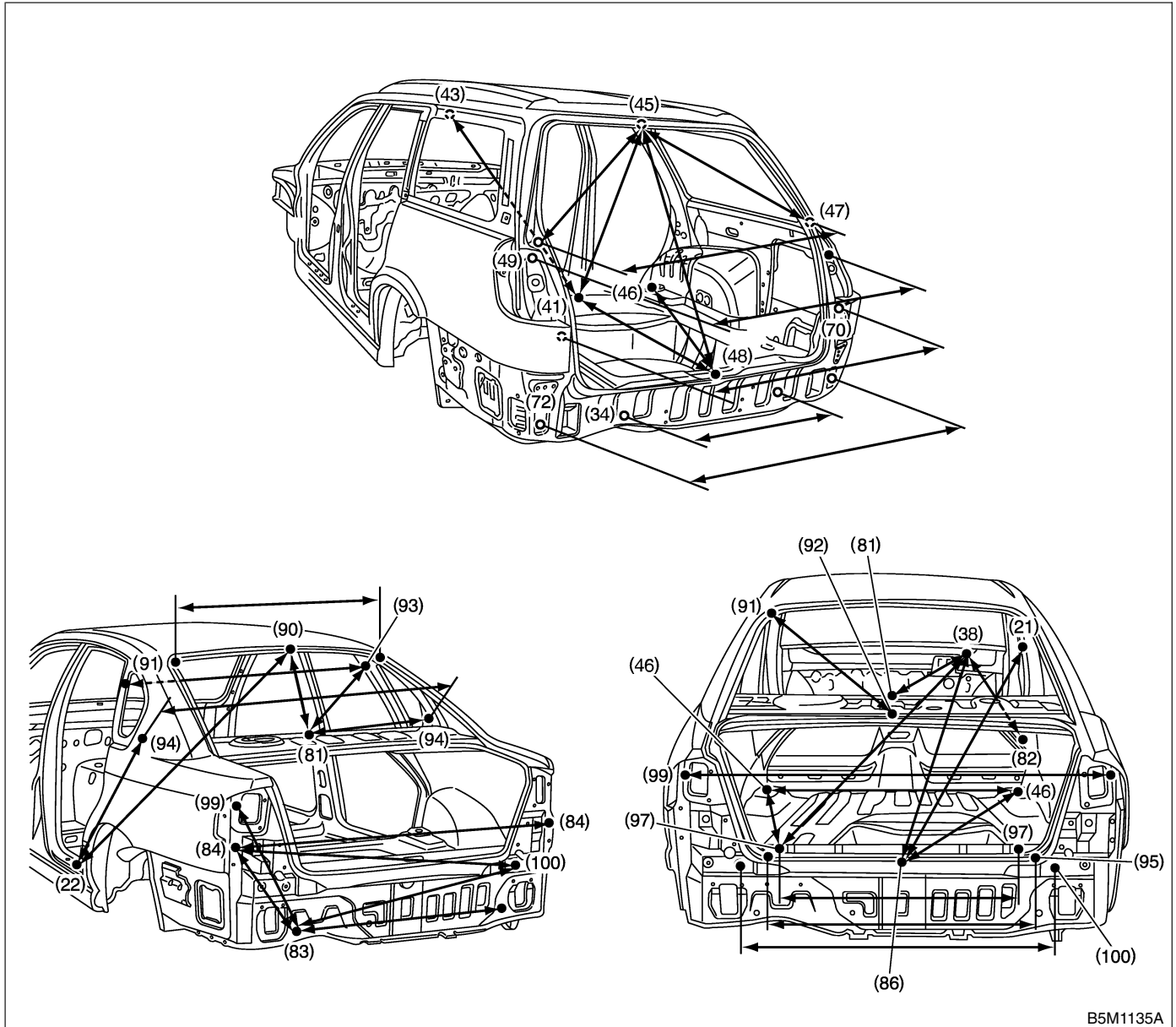
B5M0883A

Point to point	Dimension	Point to point	Dimension
(21) RH to (21) LH	1,351 (53.19)	(41) to (22) LH	738 (29.06)
(15) RH to (15) LH	1,455 (57.28)	(41) to (26) RH	1,459 (57.44)
(22) RH to (22) LH	1,455 (57.28)	(41) to (26) LH	1,459 (57.44)
(39) RH to (39) LH	1,385 (54.53)	(41) to (25)	1,290 (50.79)
(40) RH to (40) LH	1,392 (54.80)	(41) to (12)	1,228 (48.35)
(41) to (38)	1,639 (64.53)	(41) to (21) RH	940 (37.01)
(41) to (39) RH	1,642 (64.65)	(41) to (21) LH	940 (37.01)
(41) to (39) LH	1,642 (64.65)	(41) to (17) RH	1,261 (49.65)
(41) to (40) RH	1,531 (60.28)	(41) to (17) LH	1,261 (49.65)
(41) to (40) LH	1,531 (60.28)	(65) RH to (65) LH	1,307 (51.46)
(41) to (15) RH	1,342 (52.83)	(41) to (65) RH	969 (38.15)
(41) to (15) LH	1,342 (52.83)	(41) to (65) LH	969 (38.15)
(41) to (22) RH	738 (29.06)		Unit: mm (in)

DATUM DIMENSIONS

Body Structure

5. TRUNK LID AND REAR GATE S906337A1405



B5M1135A

DATUM DIMENSIONS

Body Structure

Point to point	Dimension	Point to point	Dimension
(45) to (48)	974 (38.35)	(84) RH to (84) LH	1,410 (55.51)
(45) to (47) RH	797 (31.38)	(100) RH to (84) LH	1,226 (48.27)
(45) to (47) LH	797 (31.38)	(86) to (21) RH	2,073 (81.61)
(47) RH to (47) LH	1,289 (50.75)	(86) to (21) LH	2,086 (82.13)
(49) RH to (49) LH	1,313 (51.69)	(86) to (38)	3,143 (123.74)
(34) RH to (34) LH	700 (27.56)	(86) to (46) RH	1,121 (44.13)
(41) to (45)	1,482 (58.35)	(86) to (46) LH	1,140 (44.88)
(41) to (43) RH	1,206 (47.48)	(86) to (96)	558 (21.97)
(41) to (43) LH	1,199 (47.20)	(90) to (22) RH	1,319 (51.93)
(41) to (48)	1,663 (65.47)	(90) to (22) LH	1,319 (51.93)
(48) to (46) RH	1,191 (46.89)	(22) RH to (94) LH	1,710 (67.32)
(48) to (46) LH	1,191 (46.89)	(22) LH to (94) RH	1,710 (67.32)
(70) RH to (70) LH	1,215 (47.83)	(38) to (97) RH	3,100 (122.05)
(72) RH to (72) LH	1,320 (51.97)	(38) to (97) LH	3,100 (122.05)
(81) to (38)	2,351 (92.56)	(92) to (91) RH	776 (30.55)
(81) to (90)	444 (17.48)	(92) to (91) LH	776 (30.55)
(81) to (93) RH	719 (28.31)	(91) RH to (91) LH	976 (38.43)
(81) to (93) LH	719 (28.31)	(46) LH to (97) LH	1,008 (39.68)
(81) to (94) RH	632 (24.88)	(46) LH to (97) RH	1,374 (54.09)
(81) to (94) LH	632 (24.88)	(46) LH to (46) RH	1,052 (41.42)
(38) to (82) RH	2,178 (85.75)	(93) RH to (93) LH	1,099 (43.27)
(38) to (82) LH	2,419 (95.24)	(94) RH to (94) LH	1,257 (49.49)
(83) RH to (83) LH	930 (36.61)	(95) RH to (95) LH	1,115 (43.90)
(84) RH to (83) LH	1,216 (47.87)	(97) RH to (97) LH	830 (32.68)
(99) RH to (83) LH	1,246 (49.06)	(99) RH to (99) LH	1,370 (53.94)
(100) RH to (83) LH	991 (39.02)	(100) RH to (100) LH	1,020 (40.16)

Unit: mm (in)

DATUM DIMENSIONS

Body Structure

MEMO: