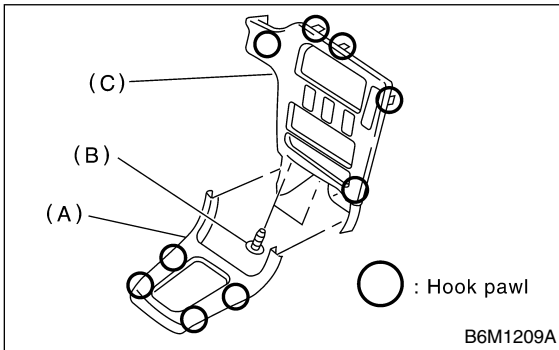


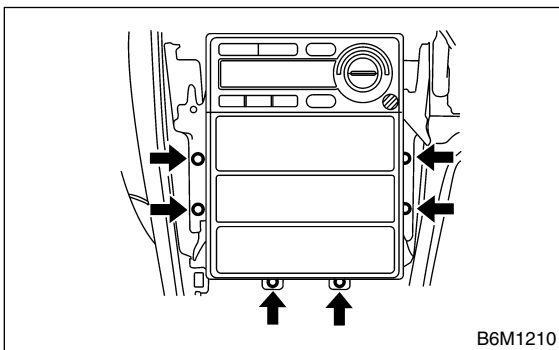
4. Radio Body S901469

A: REMOVAL S901469A18

- 1) Disconnect ground cable from battery.
- 2) Remove front cover (A).
- 3) Remove two screws (B) and then remove center panel (C) while disconnecting connector.



- 4) Remove fitting screws, and slightly pull radio out from center console.



- 5) Disconnect electric connectors and antenna feeder cord and then disconnect heater control unit.

B: INSTALLATION S901469A11

Install in the reverse order of removal.