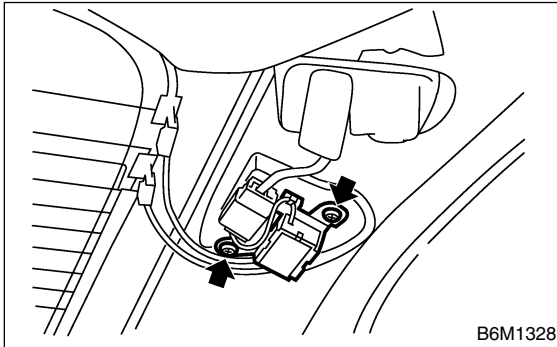


12. Antenna Amplifier S901460

A: REMOVAL S901460A18

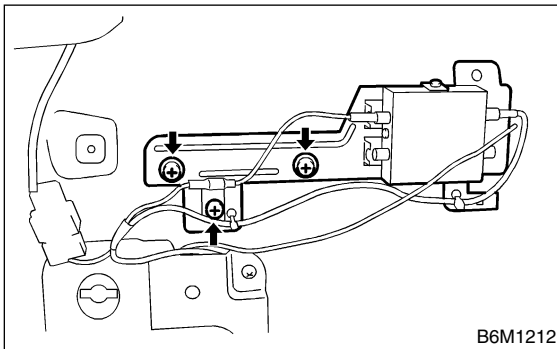
1. SEDAN S901460A1801

- 1) Disconnect ground cable from battery.
- 2) Remove rear pillar upper trim (left side). <Ref. to EI-44, REMOVAL, Rear Quarter Trim.>
- 3) Disconnect harness connector and terminal.
- 4) Remove mounting screw and detach antenna amplifier.



2. WAGON S901460A1802

- 1) Disconnect ground cable from battery.
- 2) Remove rear quarter lower trim (left side). <Ref. to EI-44, REMOVAL, Rear Quarter Trim.>
- 3) Disconnect harness connector and terminal.
- 4) Remove mounting screw and detach antenna amplifier.



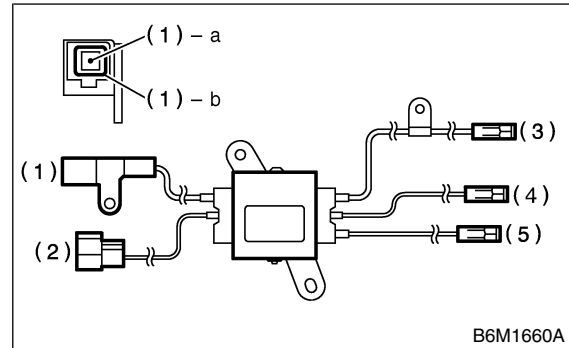
B: INSTALLATION S901460A11

Install in the reverse order of removal.

C: INSPECTION S901460A10

1. SEDAN S901460A1001

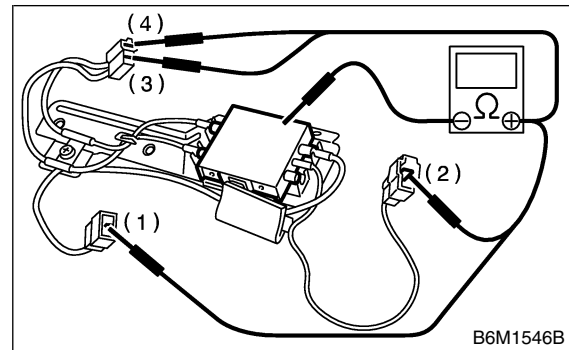
Measure antenna amplifier resistance.



Terminal No.	Standard
1-a and Amplifier body	More than 100 kΩ
1-b and Amplifier body	Less than 1 Ω
2 and Amplifier body	More than 100 kΩ
3 and Amplifier body	More than 100 kΩ
4 and Amplifier body	More than 100 kΩ
5 and Amplifier body	More than 100 kΩ
1 and 3	Less than 1 Ω

2. WAGON S901460A1002

Measure antenna amplifier resistance.



Terminal No.	Standard
1 and Amplifier body	More than 100 kΩ
2 and Amplifier body	More than 100 kΩ
3 and Amplifier body	More than 100 kΩ
4 and Amplifier body	More than 100 kΩ