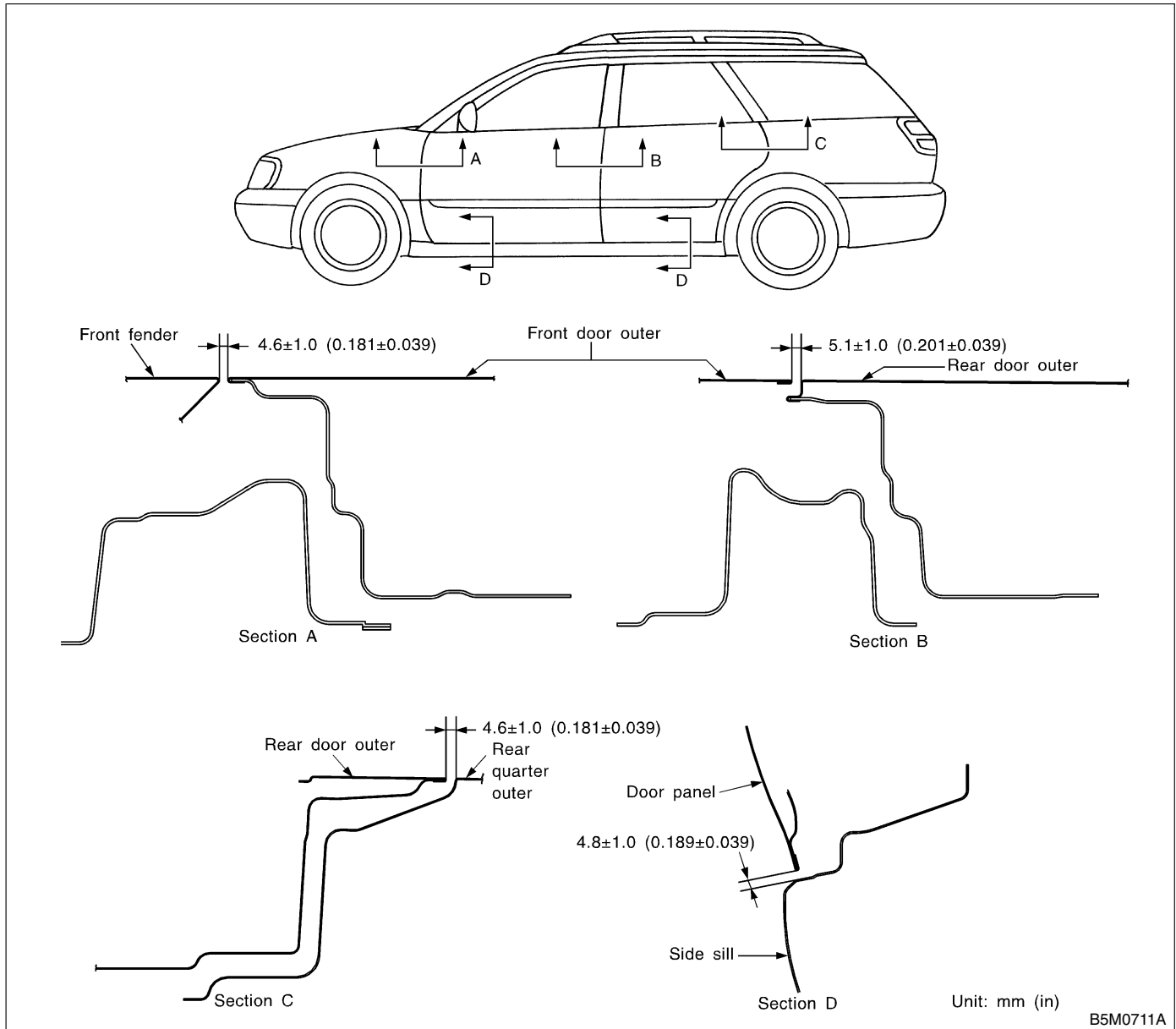


GENERAL DESCRIPTION

Exterior Body Panels

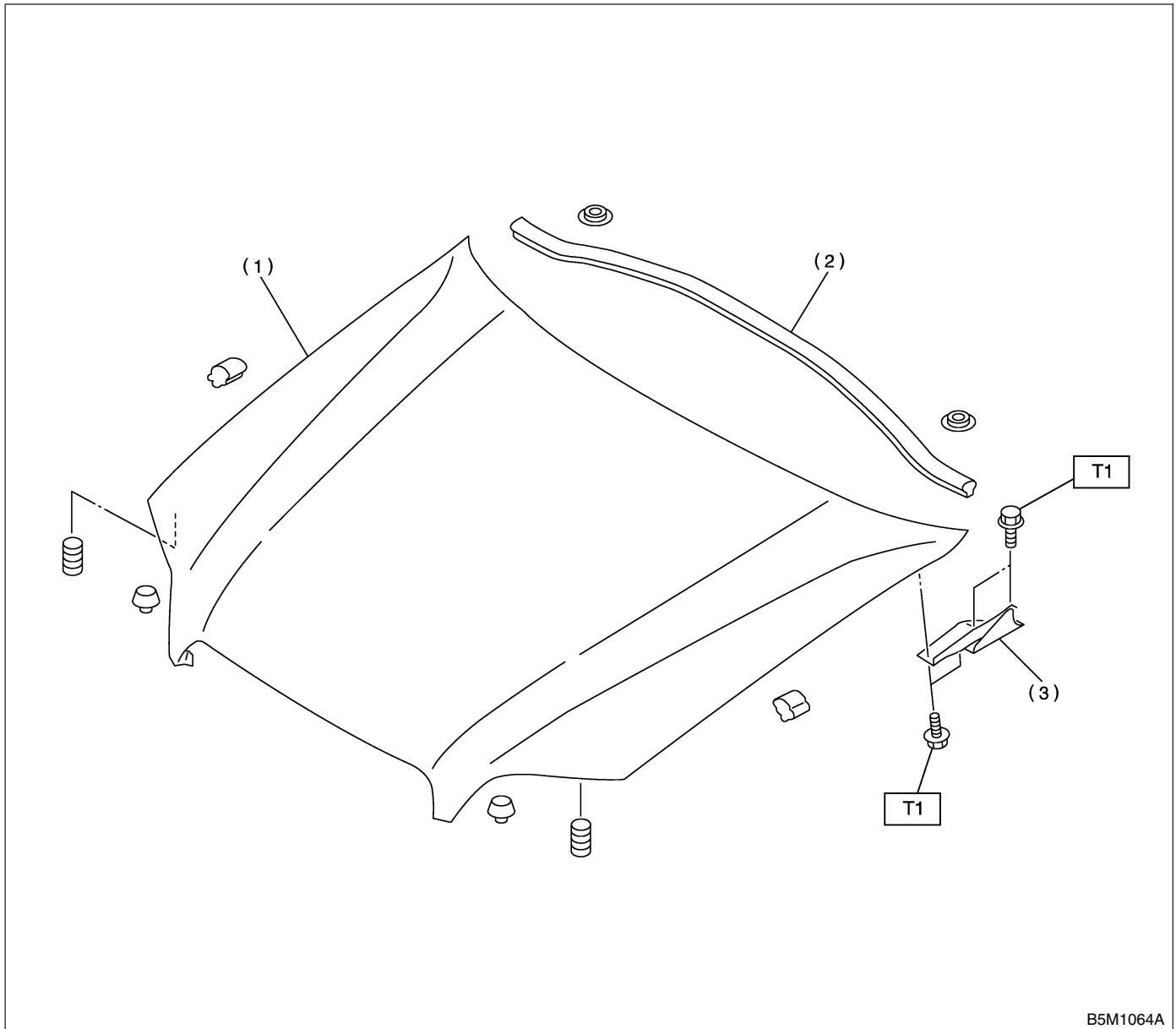
1. General Description S913001

A: SPECIFICATIONS S913001E49



B: COMPONENT S913001A05

1. FRONT HOOD S913001A0501



B5M1064A

- (1) Front hood
- (2) Seal (Front hood)

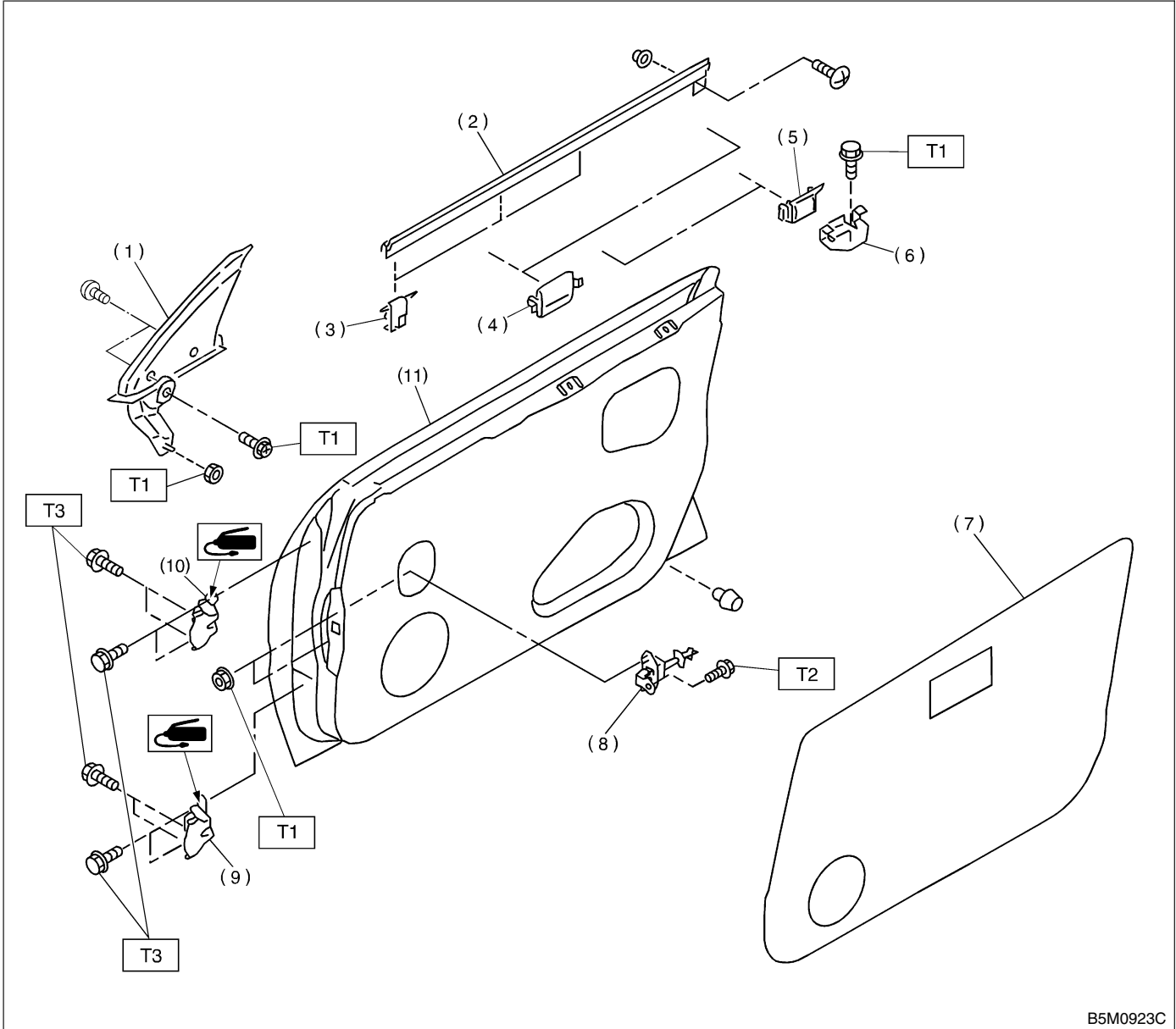
- (3) Hinge

Tightening torque: N·m (kgf·m, ft·lb)
T1: 24.5 (2.50, 18.1)

GENERAL DESCRIPTION

Exterior Body Panels

2. FRONT DOOR PANEL S913001A0502



- | | |
|-------------------------|-------------------|
| (1) Gusset | (7) Sealing cover |
| (2) Weatherstrip | (8) Checker |
| (3) Clip (Weatherstrip) | (9) Lower hinge |
| (4) Stabilizer (Lifter) | (10) Upper hinge |
| (5) Stabilizer (Outer) | (11) Door panel |
| (6) Stabilizer (Inner) | |

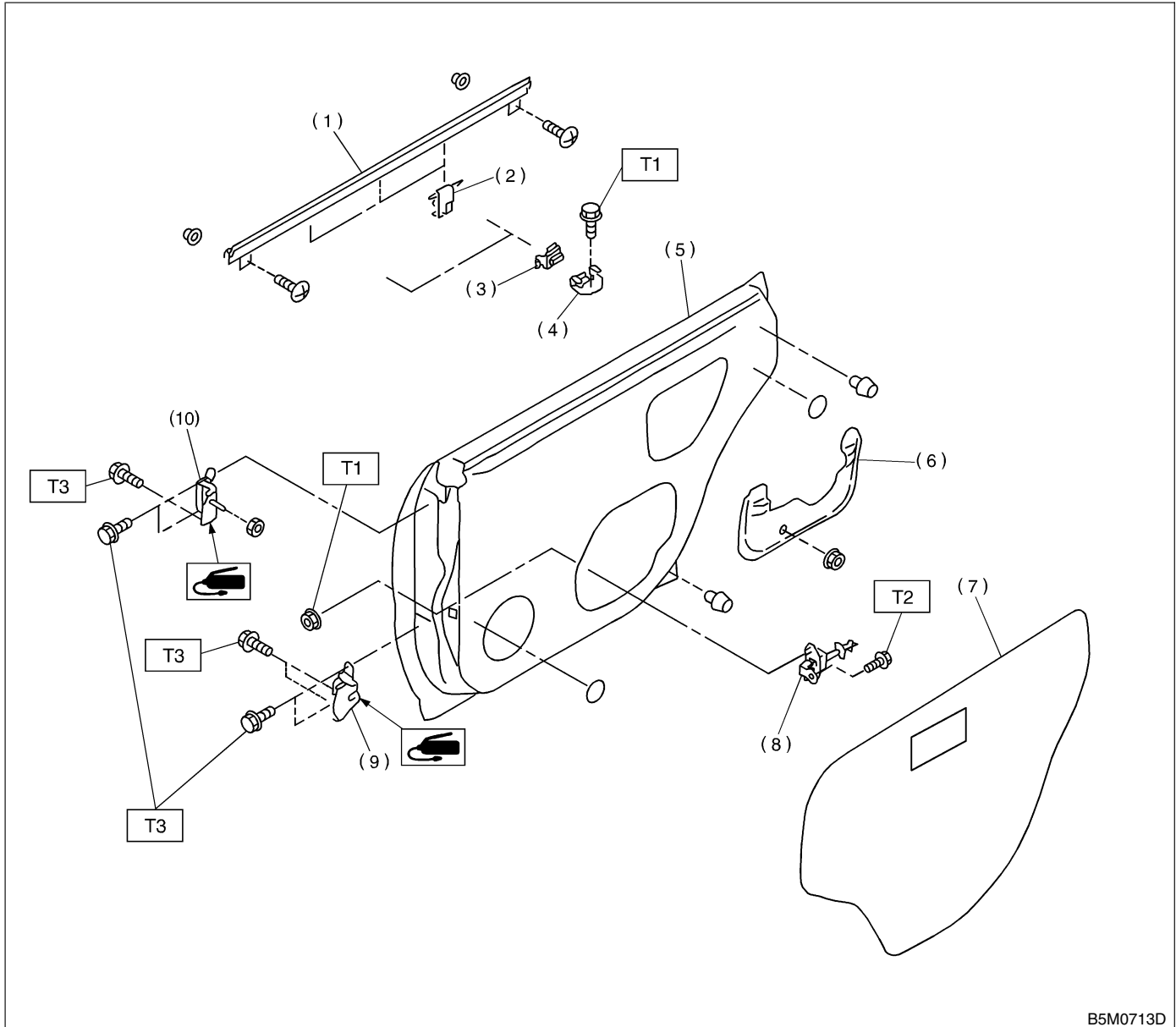
Tightening torque: N·m (kgf·m, ft·lb)

T1: 7.4 (0.75, 5.4)

T2: 18 (1.8, 13.0)

T3: 30 (3.1, 22.4)

3. REAR DOOR PANEL S913001A0503



- | | |
|-------------------------|-------------------|
| (1) Weatherstrip | (7) Sealing cover |
| (2) Clip (Weatherstrip) | (8) Checker |
| (3) Stabilizer (Outer) | (9) Lower hinge |
| (4) Stabilizer (Inner) | (10) Upper hinge |
| (5) Door panel | |
| (6) Plate | |

Tightening torque: N·m (kgf·m, ft·lb)

T1: 7.35 (0.75, 5.4)

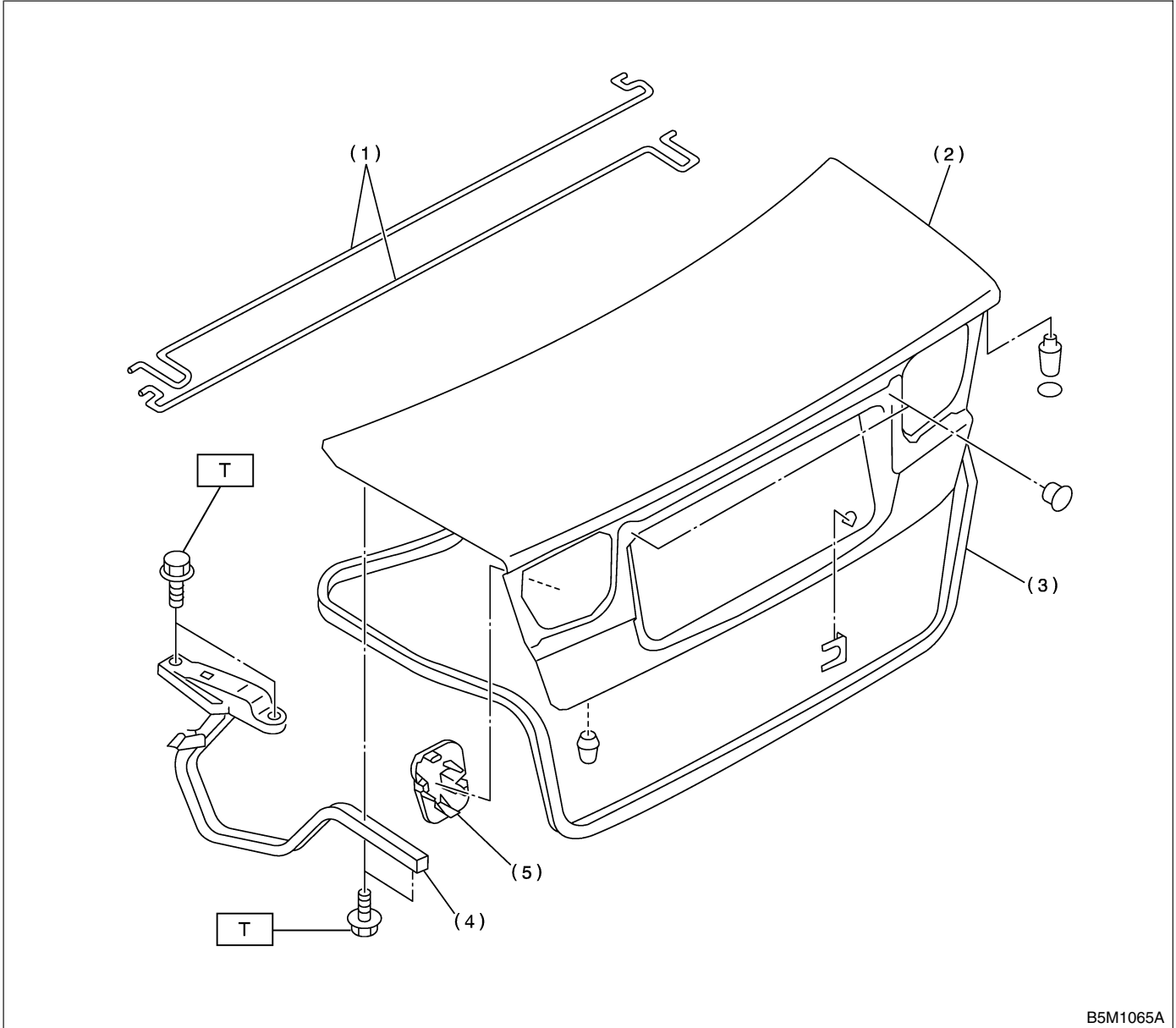
T2: 18 (1.8, 13.0)

T3: 30 (3.1, 22.4)

GENERAL DESCRIPTION

Exterior Body Panels

4. TRUNK LID PANEL S913001A0504



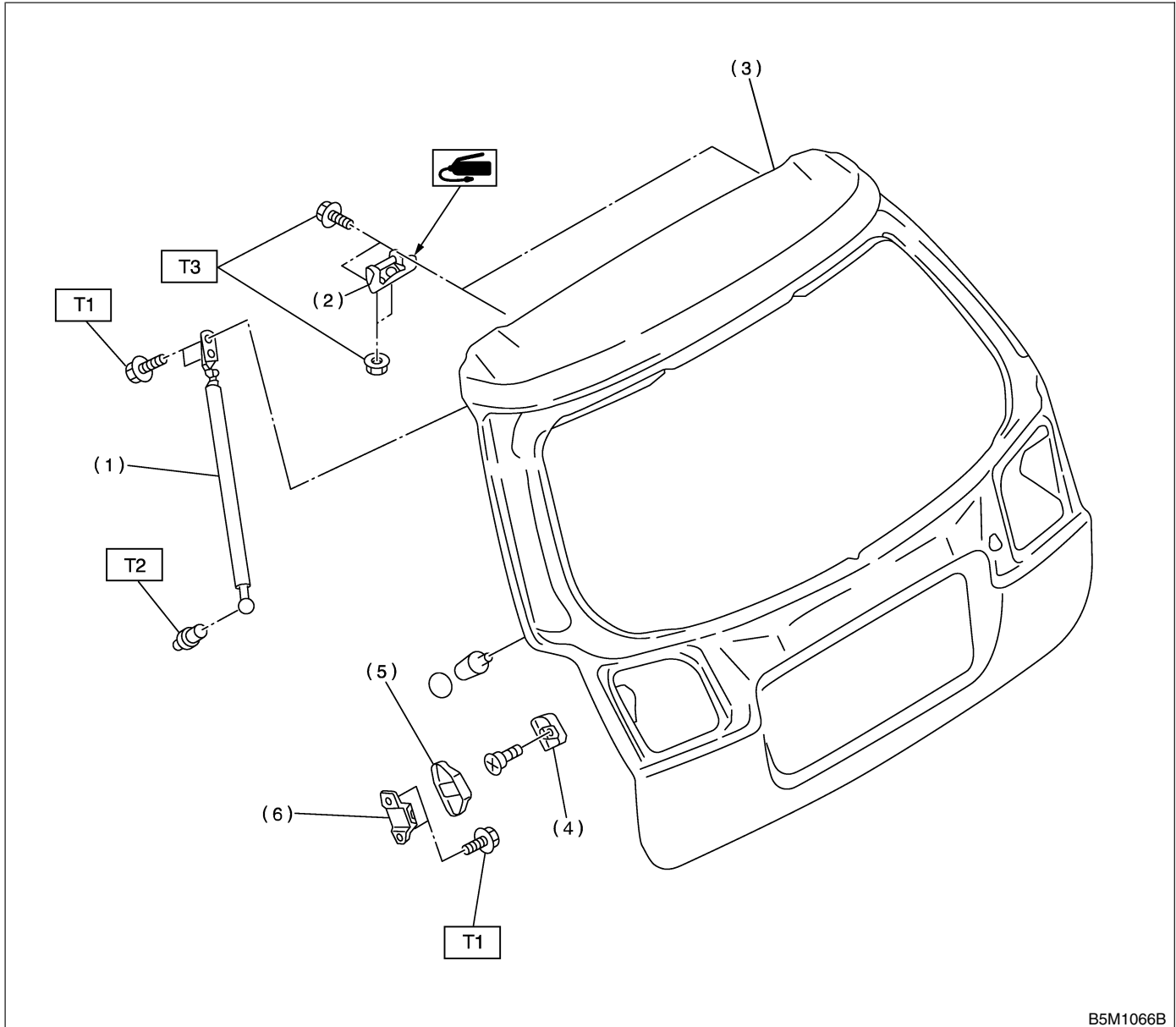
- (1) Torsion bar
- (2) Trunk lid
- (3) Weatherstrip

- (4) Hinge ASSY
- (5) Cover

Tightening torque: N·m (kgf·m, ft·lb)

T: 18 (1.8, 13.0)

5. REAR GATE PANEL S913001A0505



- (1) Gas stay
- (2) Hinge
- (3) Rear gate
- (4) Buffer (Rear gate)
- (5) Buffer cover
- (6) Buffer (Back door)

Tightening torque: N·m (kgf·m, ft·lb)

T1: 7.5 (0.76, 5.5)

T2: 14 (1.4, 10.1)

T3: 25 (2.5, 18.1)

GENERAL DESCRIPTION

Exterior Body Panels

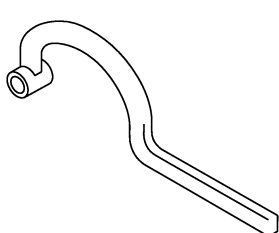
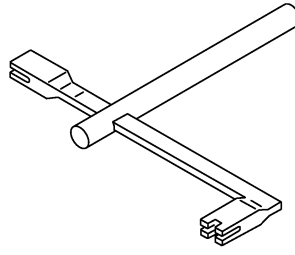
C: CAUTION S913001A03

● Exterior body panels are heavy. Do not drop and damage the panels. During removal and installation, do not damage the panel painting surface.

- While removing mounting bolts, using assistance devices such as a support jack will help support the panel.
- Be careful not to lose small parts.

D: PREPARATION TOOL S913001A17

1. SPECIAL TOOLS S913001A1701

ILLUSTRATION	TOOL NUMBER	DESCRIPTION	REMARKS
 <p style="text-align: right;">B5M1117</p>	925610000	WRENCH	Used for removing and installing door hinge.
 <p style="text-align: right;">B5M1118</p>	927780000	REMOVER	Used for removing and installing trunk torsion bar.

2. GENERAL TOOL S913001A1702

TOOL NAME	REMARKS
Support Jack	Used for supporting door panel.