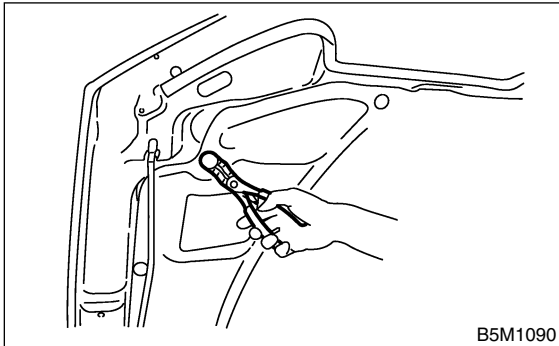


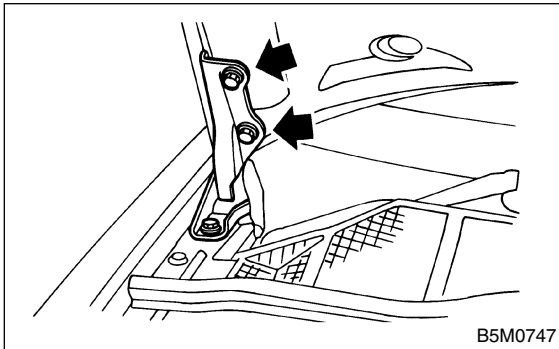
## 2. Front Hood S913367

### A: REMOVAL S913367A18

- 1) Open front hood to remove washer nozzles.
- 2) Remove clips to remove hood insulator.



- 3) Remove bolts to disconnect hood from hinges.



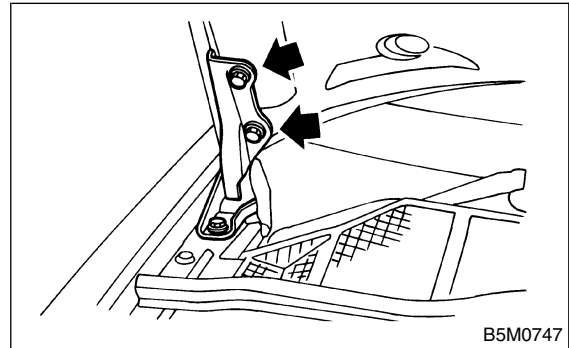
### B: INSTALLATION S913367A11

- 1) Install in the reverse order of removal.
- 2) Adjust clearance between hood and fender. Clearance must be equal at both sides.

**Tightening torque:**  
**24.5 N·m (2.50 kgf·m, 18.1 ft·lb)**

### C: ADJUSTMENT S913367A01

- 1) Use hinge mounting holes to align front hood longitudinally and laterally.



- 2) Adjust height at front end of hood. <Ref. to SL-40, ADJUSTMENT, Front Hood Lock Assembly.>
- 3) Rotate hood buffer to adjust lateral height.

