

REAR GATE PANEL

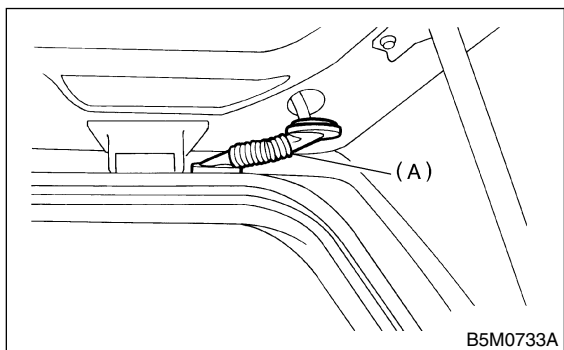
Exterior Body Panels

9. Rear Gate Panel S913363

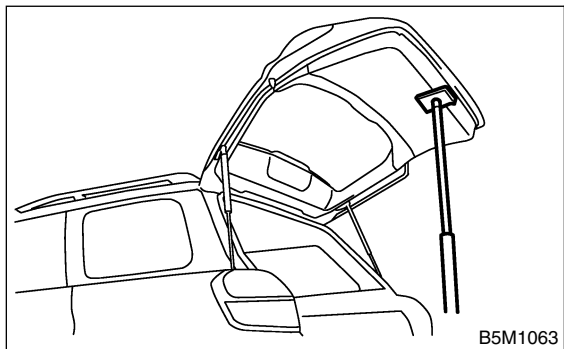
A: REMOVAL S913363A18

1. REAR GATE PANEL S913363A1801

- 1) Open rear gate.
- 2) Remove rear gate outer handle. <Ref. to SL-35, REMOVAL, Rear Gate Outer Handle.>
- 3) Remove rear gate latch assembly. <Ref. to SL-36, REMOVAL, Rear Gate Latch Assembly.>
- 4) Remove rear gate trim. <Ref. to EI-49, REMOVAL, Rear Gate Trim.>
- 5) Remove rear gate key lock cylinders. <Ref. to SL-43, REAR GATE, REMOVAL, Key Lock Cylinders.>
- 6) Remove rear finisher light assembly. <Ref. to LI-19, WAGON, REMOVAL, Rear Finisher Light Assembly.>
- 7) Remove rear wiper. <Ref. to WW-16, REMOVAL, Rear Wiper Motor.>
- 8) Disconnect connectors of rear wiper, rear defogger, and other lighting devices.
- 9) Disconnect washer hose.
- 10) Remove rubber duct (A) connection, and pull out harness and washer hose from rear gate.



- 11) Using a support, support the rear gate while removing gas stay mounting bolts.



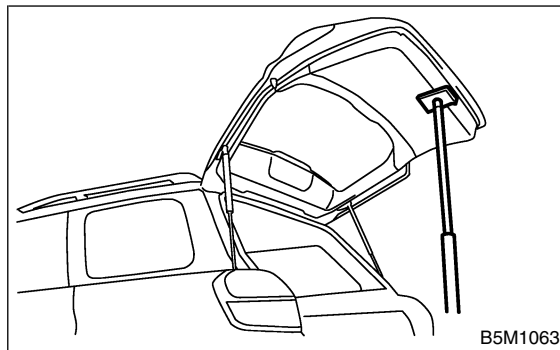
CAUTION:

When the rear gate is released, it may hit and damage the body. To prevent this, place a shop cloth between body and gate.

- 12) Loosen rear gate bolts to remove rear gate.

2. GAS STAY S913363A1802

- 1) Open rear gate. Using a jack to support the rear gate.



CAUTION:

- After gas stay is removed, rear gate cannot stay open. Supporting the rear gate with a jack, remove the bolts.
 - Do not damage piston rods and oil seals.
 - Never disassemble cylinders: They contain gas.
- 2) Loosen bolts to remove gas stay from rear gate.

B: INSTALLATION S913363A11

1. REAR GATE PANEL S913363A1101

- 1) Install in the reverse order of removal.
- 2) Install rear gate panel with uniform clearance to body.

CAUTION:

Do not damage painted surfaces of body and rear gate.

2. GAS STAY S913363A1102

Install in the reverse order of removal.

CAUTION:

- Do not confuse right and left sides of gas stay.
- After supporting rear gate with a jack, start operation.

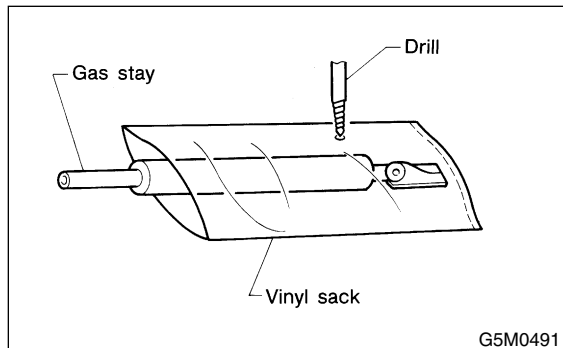
Tightening torque:

Refer to **COMPONENT** in **General Description**. <Ref. to **EB-7, REAR GATE PANEL, COMPONENT, General Description**.>

C: DISPOSAL S913363A07

1. GAS STAY S913363A0701

1) Cover with a vinyl case before drilling holes.



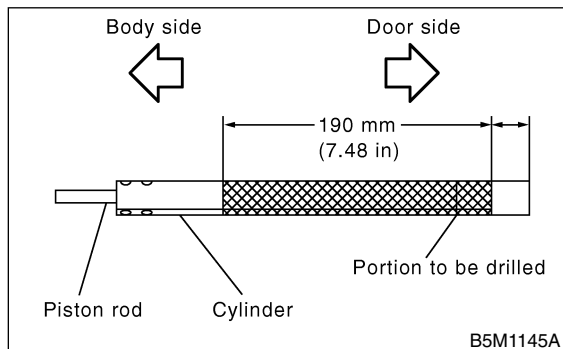
CAUTION:

Prevent the vinyl case from being caught by drill cutting edge

2) Lift body side slightly with piston rods fully extended, and secure body side on vise stand. Drill a hole in 2 to 3 mm (0.08 to 0.12 in) diameter at a point 10 to 200 mm (0.39 to 7.87 in) from door side, and bleed gas stay completely.

CAUTION:

Gas is colorless, odorless, and harmless. However, gas pressure may spray cutting powder or oil. Be sure to wear dust-resistant goggles.



REAR GATE PANEL

Exterior Body Panels

MEMO: