

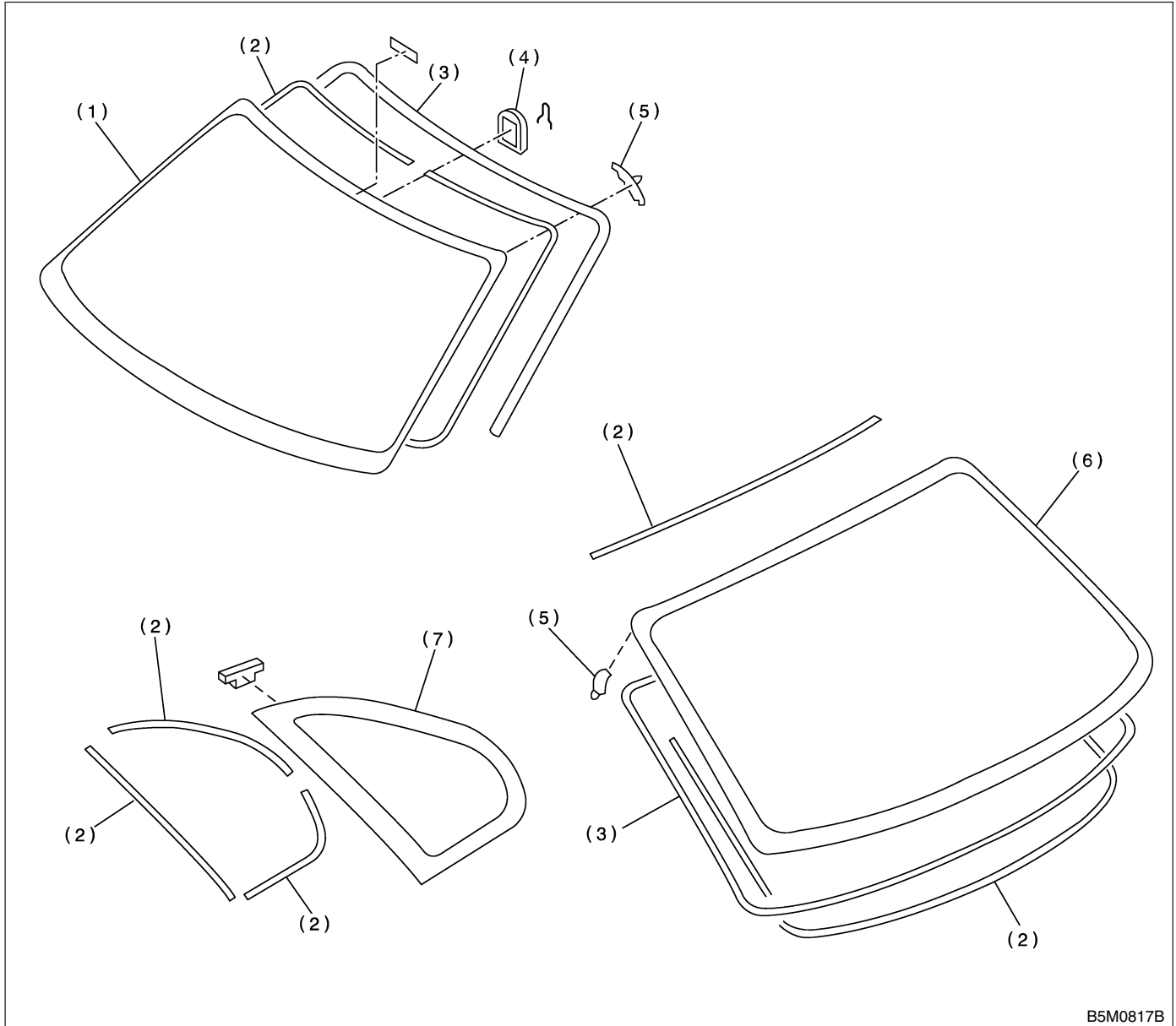
GENERAL DESCRIPTION

Glass/Windows/Mirrors

1. General Description S905001

A: COMPONENT S905001A05

1. FIXED GLASS (SEDAN) S905001A0501



B5M0817B

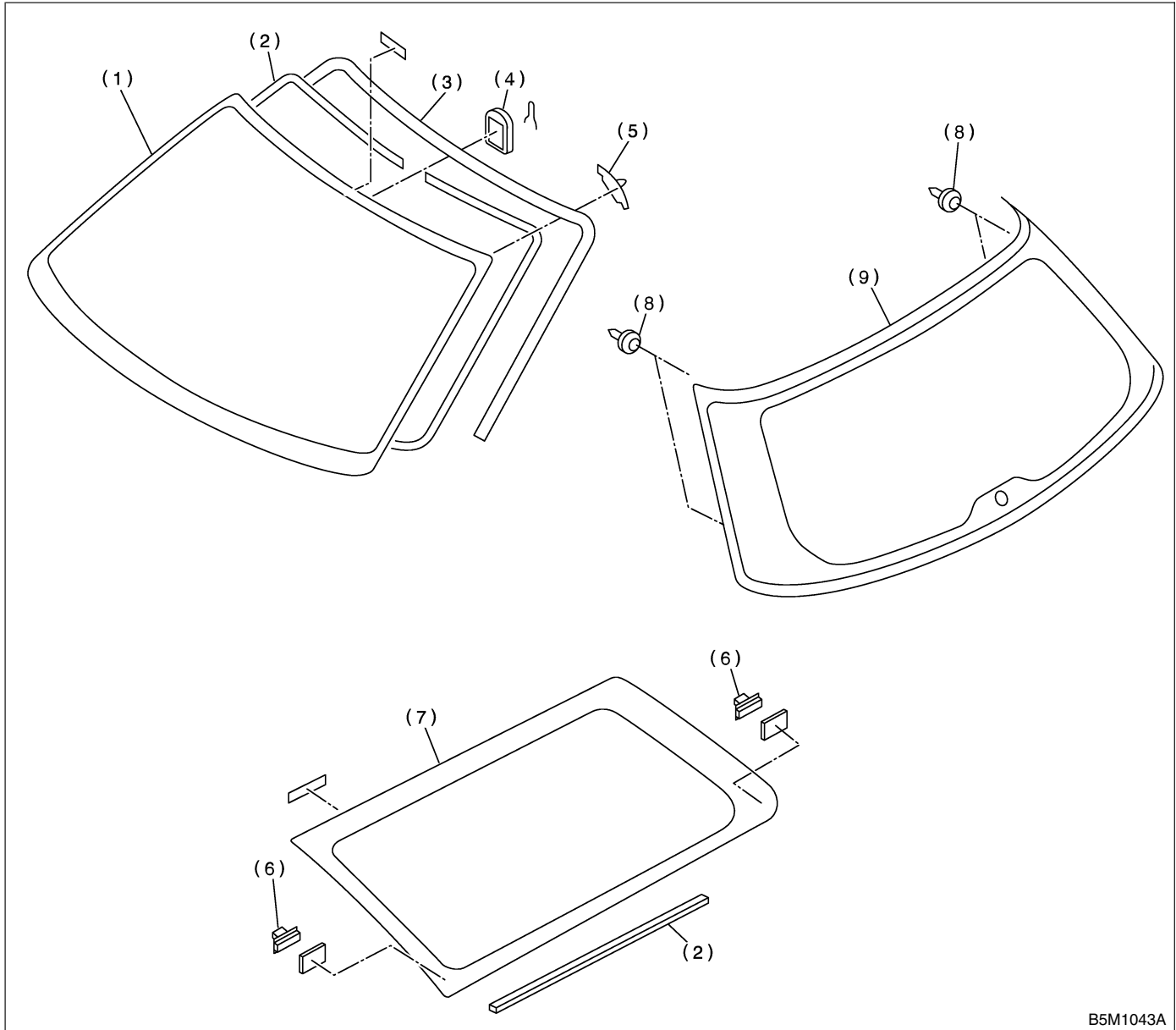
- (1) Windshield glass
- (2) Dam rubber
- (3) Molding

- (4) Rearview mirror mount
- (5) Locate pin
- (6) Rear window glass

- (7) 6 light glass

GENERAL DESCRIPTION

2. FIXED GLASS (WAGON) S905001A0502



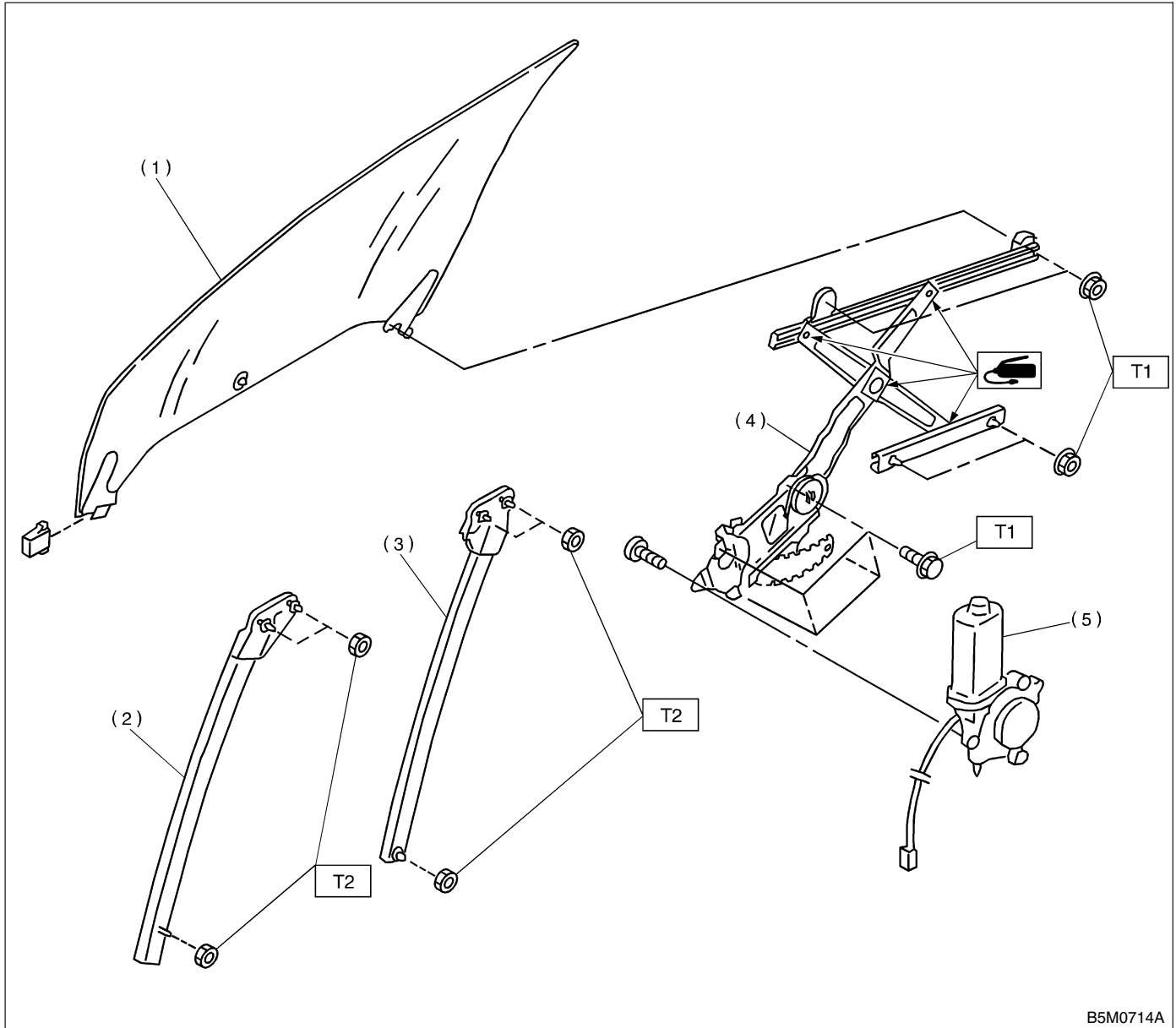
B5M1043A

- | | | |
|----------------------|---------------------------|------------------------|
| (1) Windshield glass | (4) Rearview mirror mount | (7) Rear quarter glass |
| (2) Dam rubber | (5) Locate pin | (8) Locate pin |
| (3) Molding | (6) Fastener | (9) Glass |

GENERAL DESCRIPTION

Glass/Windows/Mirrors

3. FRONT DOOR GLASS S905001A0503



- (1) Glass
- (2) Door sash (Front)
- (3) Door sash (Rear)
- (4) Regulator ASSY

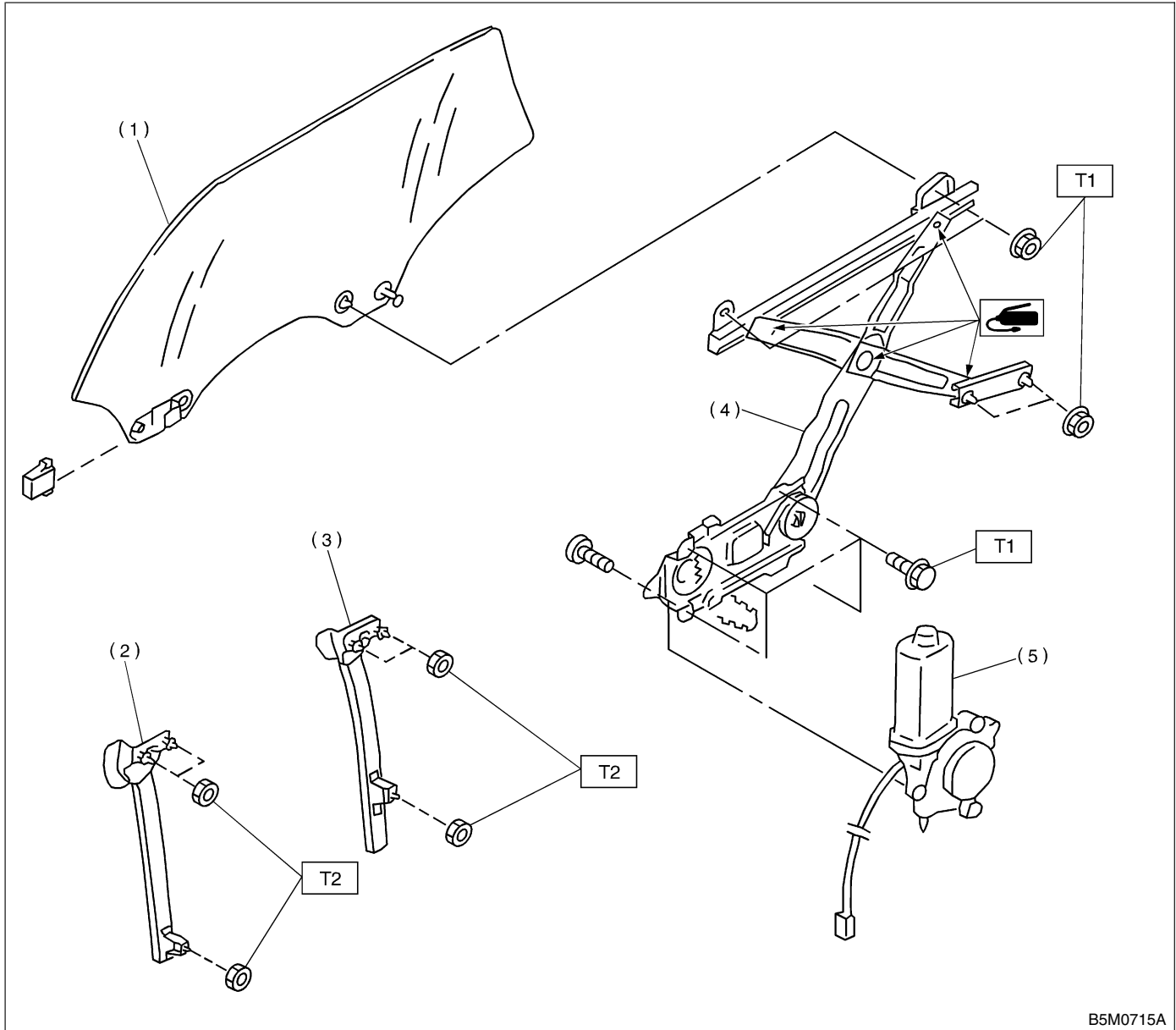
- (5) Motor ASSY

Tightening torque: N·m (kgf·m, ft·lb)

T1: 7.35 (0.75, 5.4)

T2: 14 (1.4, 10.1)

4. REAR DOOR GLASS S905001A0504



- (1) Glass
- (2) Door sash (Front)
- (3) Door sash (Rear)
- (4) Regulator ASSY

- (5) Motor ASSY

Tightening torque: N·m (kgf·m, ft·lb)

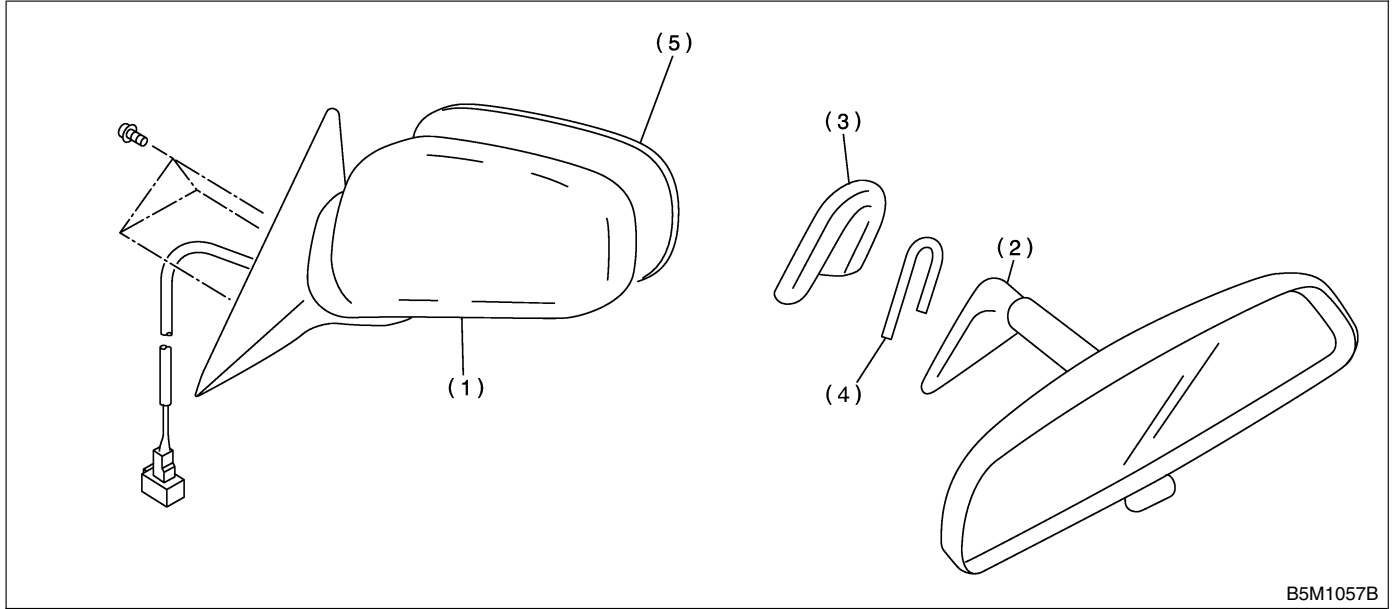
T1: 7.35 (0.75, 5.4)

T2: 14 (1.4, 10.1)

GENERAL DESCRIPTION

Glass/Windows/Mirrors

5. MIRRORS S905001A0505



- (1) Outer mirror
- (2) Inner rearview mirror

- (3) Mount
- (4) Spring

- (5) Mirror

B: CAUTION S905001A03

- When electrical connectors are disconnected, always conduct an operational check after connecting them again.
- Avoid impact and damage to the glass.

C: PREPARATION TOOL S905001A17

TOOL NAME	REMARKS
Circuit tester	Used for checking voltage and continuity.
Piano wire	Used for window glass removal.
Windshield knife	Used for window glass removal.