

4. Speedometer S907608

A: REMOVAL S907608A18

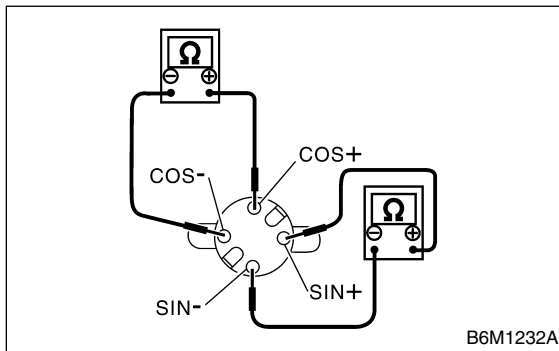
Disassemble combination meter, and then remove speedometer and fuel gauge assembly. <Ref. to IDI-11, DISASSEMBLY, Combination Meter Assembly.>

B: INSTALLATION S907608A11

Install in the reverse order of removal.

C: INSPECTION S907608A10

Measure speedometer resistance.



Terminal	Resistance
Terminals SIN+ and SIN-	200±8 Ω
Terminals COS+ and COS-	200±8 Ω

If NG, replace speedometer and fuel gauge assembly.

If OK, replace combination meter printed circuit.