

6. Fuel Gauge S907610

A: REMOVAL S907610A18

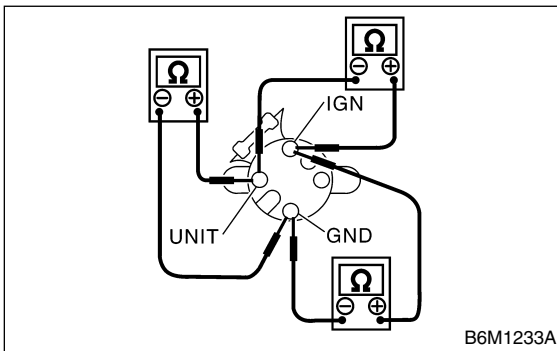
Disassemble combination meter, and then remove speedometer and fuel gauge assembly. <Ref. to IDI-11, DISASSEMBLY, Combination Meter Assembly.>

B: INSTALLATION S907610A11

Install in the reverse order of removal.

C: INSPECTION S907610A10

Measure fuel gauge resistance.



Terminal	Resistance
Terminals IGN and GND	170±10 Ω
Terminals IGN and UNIT	35±10 Ω
Terminals UNIT and GND	136±10 Ω

If NG, replace speedometer and fuel gauge assembly.

If OK, replace combination meter printed circuit.