

2. Headlight and Tail Light System S914415

A: SCHEMATIC S914415A21

1. HEADLIGHT 2-LIGHT MODEL S914415A2101

<Ref. to WI-120, 2-LIGHT MODEL, SCHEMATIC, Headlight System.>

2. HEADLIGHT 4-LIGHT MODEL S914415A2102

<Ref. to WI-121, 4-LIGHT MODEL, SCHEMATIC, Headlight System.>

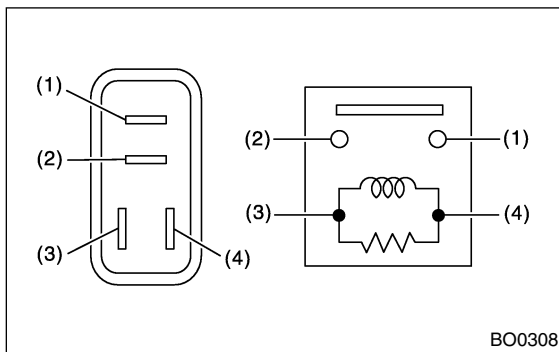
3. CLEARANCE LIGHT AND ILLUMINATION LIGHT S914415A2103

<Ref. to WI-114, SCHEMATIC, Clearance Light and Illumination Light System.>

B: INSPECTION S914415A10

1. HEADLIGHT RELAY S914415A1001

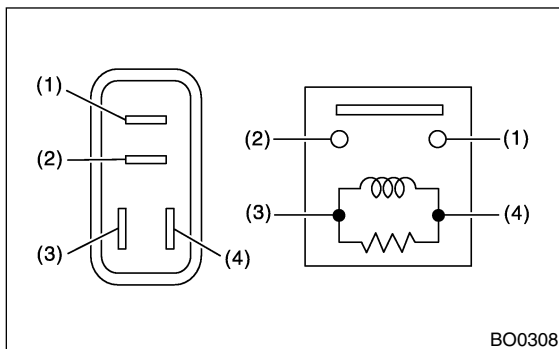
Measure headlight relay resistance between terminals while connecting terminal No. 4 to battery positive terminal No. 3 to battery ground terminal.



Current	Terminal No.	Standard
Flow	1 and 2	Less than 1 Ω
No flow		More than 1 MΩ

2. TAIL AND ILLUMINATION RELAY S914415A1002

Measure tail and illumination relay resistance between terminals while connecting terminal No. 4 to battery positive terminal No. 3 to battery ground terminal.



Current	Terminal No.	Standard
Flow	1 and 2	Less than 1 Ω
No flow		More than 1 MΩ