

FRONT FOG LIGHT SYSTEM

Lighting System

3. Front Fog Light System S914473

A: SCHEMATIC S914473A21

1. FRONT FOG LIGHT 4 CYLINDER ENGINE MODEL S914473A2101

<Ref. to WI-118, 4-CYLINDER ENGINE MODEL, SCHEMATIC, Front Fog Light System.>

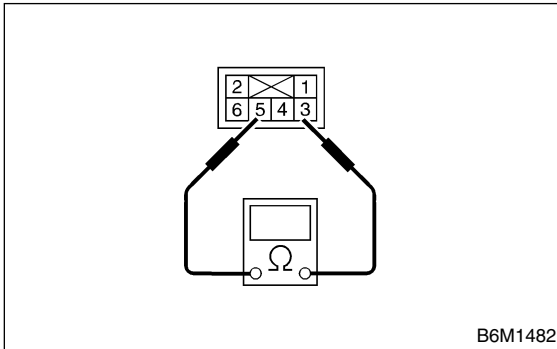
2. FRONT FOG LIGHT 6 CYLINDER ENGINE MODEL S914473A2102

<Ref. to WI-119, 6-CYLINDER ENGINE MODEL, SCHEMATIC, Front Fog Light System.>

B: INSPECTION S914473A10

1. FRONT FOG LIGHT SWITCH S914473A1001

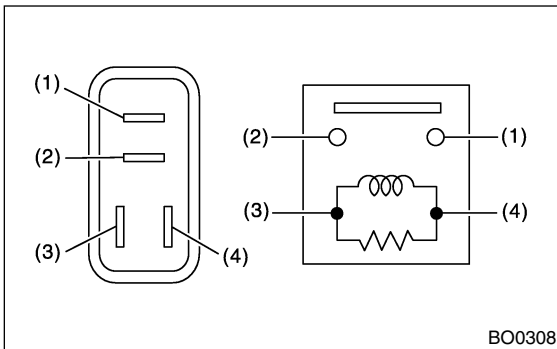
Measure front fog light switch resistance.



| Switch position | Terminal No. | Standard |
|-----------------|--------------|----------------|
| OFF | — | More than 1 MΩ |
| ON | 3 and 5 | Less than 1 Ω |

2. FRONT FOG LIGHT RELAY S914473A1002

Measure front fog light relay resistance between terminals while connecting terminal No. 4 to battery positive terminal and terminal No. 3 to battery ground terminal.



| Current | Terminal No. | Standard |
|---------|--------------|----------------|
| Flow | 1 and 2 | Less than 1 Ω |
| No flow | | More than 1 MΩ |