

## 4. Turn Signal and Hazard Light System S914481

### A: SCHEMATIC S914481A21

#### 1. TURN SIGNAL LIGHT AND HAZARD LIGHT S914481A2101

<Ref. to WI-128, SCHEMATIC, Turn Signal Light and Hazard Light System.>

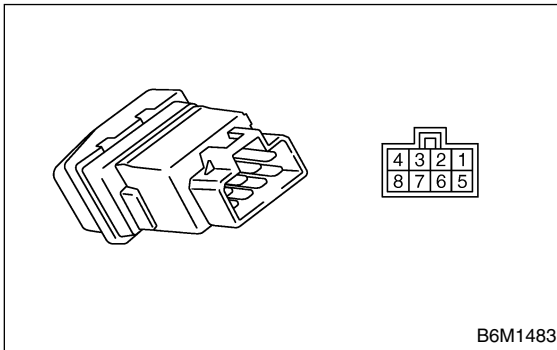
### B: INSPECTION S914481A10

#### 1. TURN SIGNAL SWITCH S914481A1001

<Ref. to LI-9, INSPECTION, Combination Switch (Light).>

#### 2. HAZARD SWITCH S914481A1002

Measure hazard switch resistance.



Switch position	Terminal No.	Standard
OFF	6 and 7	Less than 1 $\Omega$
ON	1, 3 and 4	Less than 1 $\Omega$
	7 and 8	Less than 1 $\Omega$

#### 3. TURN SIGNAL & HAZARD MODULE S914481A1003

Connect battery and turn signal light bulb to the module, as shown in the figure. The module is properly functioning if it blinks when power is supplied to the circuit.

