

FRONT FOG LIGHT ASSEMBLY

Lighting System

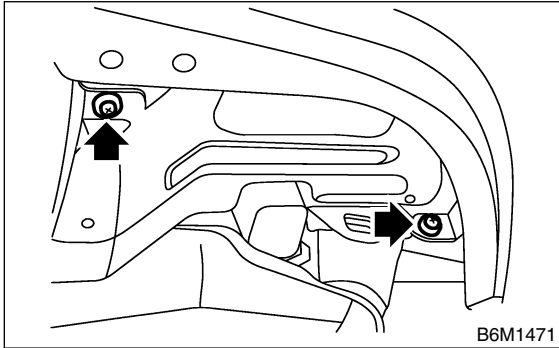
13. Front Fog Light Assembly

S914427

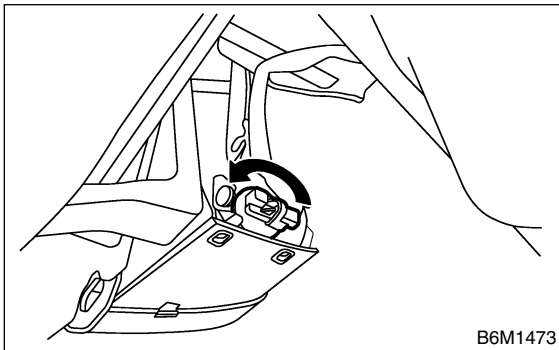
A: REMOVAL S914427A18

1. EXCEPT OUTBACK S914427A1801

- 1) Disconnect ground cable from battery.
- 2) Remove two clips and lower the mudguard.

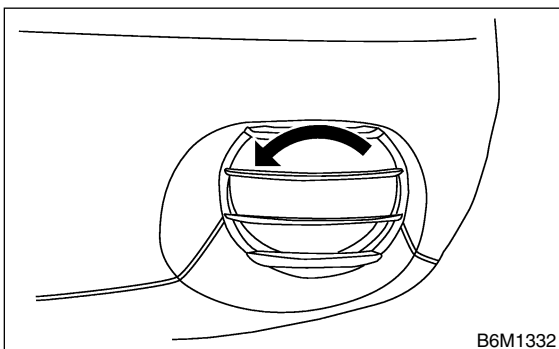


- 3) Disconnect harness connector.
- 4) Remove mounting bolts, and then detach fog light assembly.

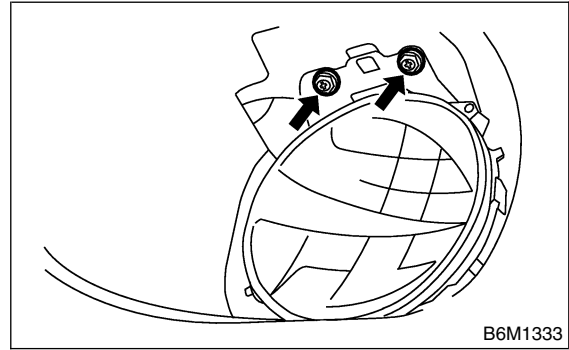


2. OUTBACK S914427A1802

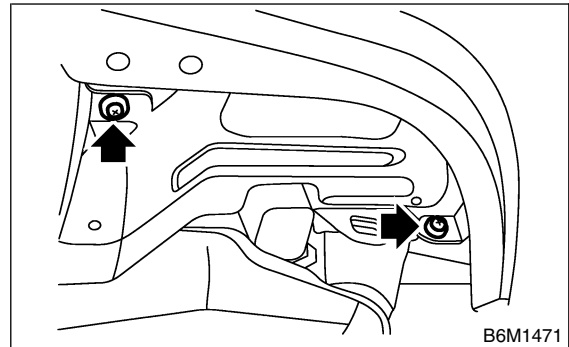
- 1) Disconnect ground cable from battery.
- 2) Turn stone guard counterclockwise, and then remove it.



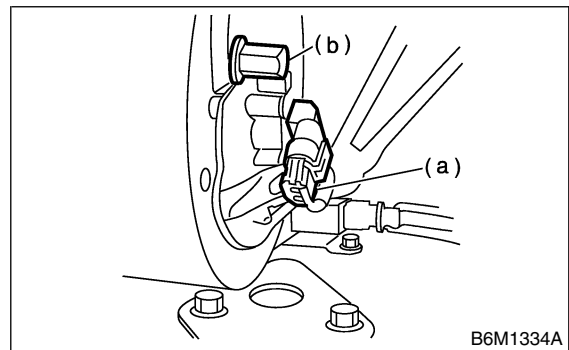
- 3) Remove mounting bolts.



- 4) Remove two clips and lower the mudguard.



- 5) Disconnect harness connector (a).
- 6) Remove nut (b) then detach fog light assembly.



B: INSTALLATION S914427A11

Install in the reverse order of removal.