

HIGH-MOUNTED STOP LIGHT

Lighting System

21. High-mounted Stop Light

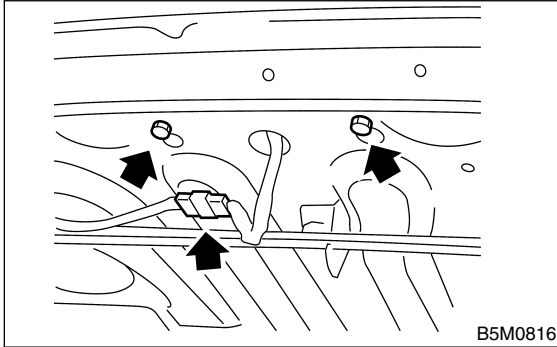
S914425

A: REMOVAL S914425A18

1. SEDAN WITHOUT REAR SPOILER S914425A1801

S914425A1801

- 1) Disconnect ground cable from battery.
- 2) Disconnect connector of high-mounted stop light from body harness.
- 3) Remove bolts, then detach high-mounted stop light assembly.

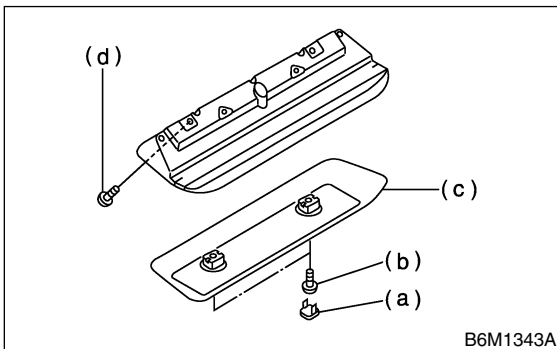


2. SEDAN WITH REAR SPOILER S914425A1802

- 1) Disconnect ground cable from battery.
- 2) Remove two screws and then detach high-mounted stop light assembly while disconnecting connector.

3. WAGON S914425A1803

- 1) Disconnect ground cable from battery.
- 2) Remove cap (a) by prying on the edge with a screwdriver.
- 3) Remove screws (b) and then detach cover (c).
- 4) Remove screws (d) and then detach high-mounted stop light while disconnecting connector.



B: INSTALLATION S914425A11

Install in the reverse order of removal.

C: INSPECTION S914425A10

- 1) Visually check the bulb for blow out.
- 2) Check the bulb specification. <Ref. to LI-2, SPECIFICATIONS, General Description.>
- 3) If NG, replace the bulb with a new one.