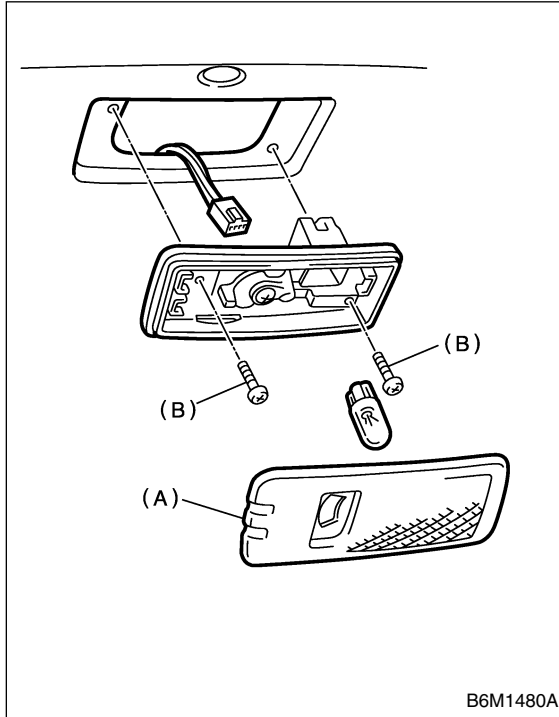


24. Luggage Room Light S914399

A: REMOVAL S914399A18

- 1) Disconnect ground cable from battery.
- 2) Remove lens (A) and luggage room light mounting screws (B).



- 3) Disconnect harness connectors and remove luggage room light.

B: INSTALLATION S914399A11

Install in the reverse order of removal.

C: INSPECTION S914399A10

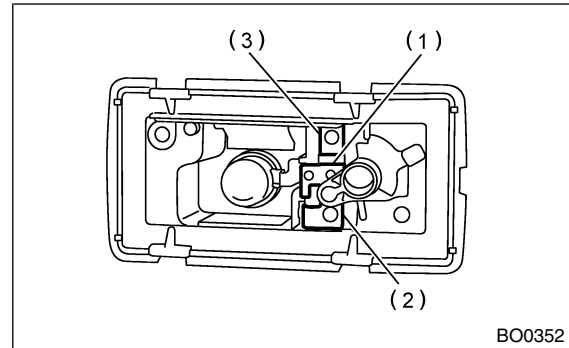
1. LUGGAGE ROOM LIGHT BULB S914399A1001

- 1) Visually check the bulb for blow out.
- 2) Check the bulb specification. <Ref. to LI-2, SPECIFICATIONS, General Description.>
- 3) If NG, replace the bulb with a new one.

2. LUGGAGE ROOM LIGHT SWITCH S914399A1002

S914399A1002

Measure luggage room light resistance.



Switch position	Terminal No.	Standard
OFF	—	More than 1 MΩ
ON	1 and 3	1.5±0.5 Ω
DOOR	1 and 2	1.5±0.5 Ω