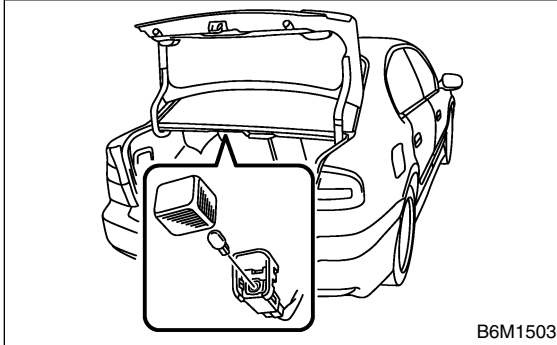


25. Trunk Room Light S914393

A: REMOVAL S914393A18

- 1) Disconnect ground cable from battery.
- 2) Disconnect harness connectors and remove trunk room light.



B: INSTALLATION S914393A11

Install in the reverse order of removal.

C: INSPECTION S914393A10

- 1) Visually check the bulb for blow out.
- 2) Check the bulb specification. <Ref. to LI-2, SPECIFICATIONS, General Description.>
- 3) If NG, replace the bulb with a new one.