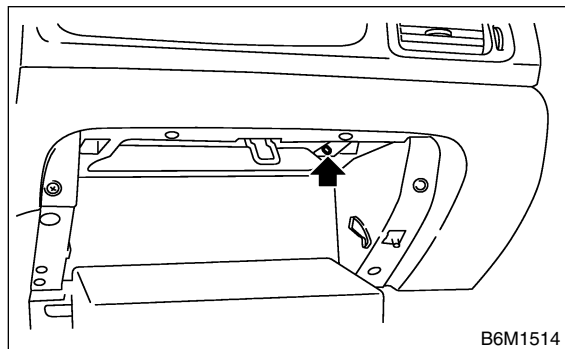


26. Glove Box Light S914396

A: REMOVAL S914396A18

- 1) Disconnect ground cable from battery.
- 2) Remove glove box. <Ref. to EI-34, REMOVAL, Glove Box.>
- 3) Disconnect harness connector.
- 4) Remove glove box light.



B: INSTALLATION S914396A11

Install in the reverse order of removal.

C: INSPECTION S914396A10

- 1) Visually check the bulb for blow out.
- 2) Check the bulb specification. <Ref. to LI-2, SPECIFICATIONS, General Description.>
- 3) If NG, replace the bulb with a new one.