

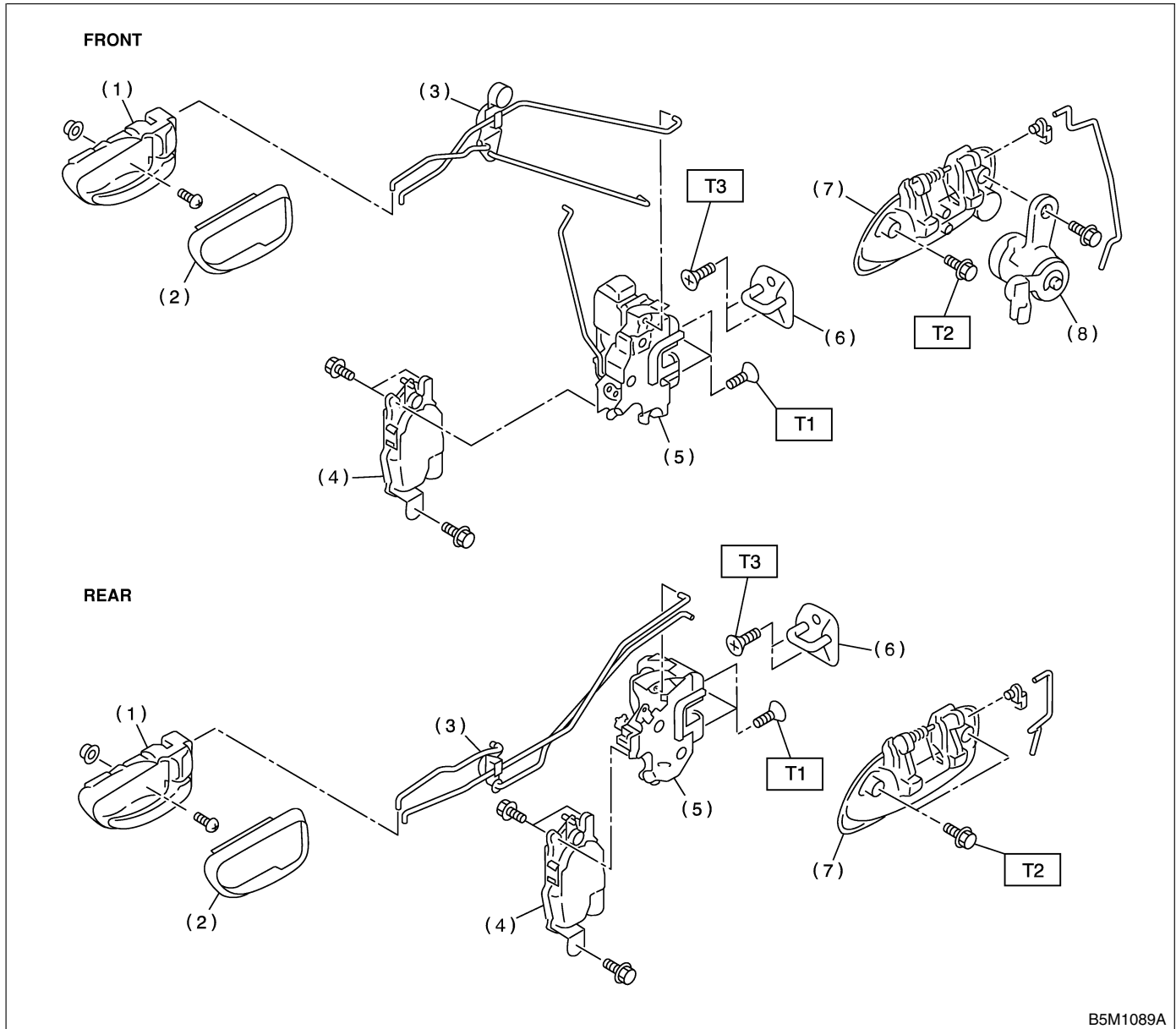
GENERAL DESCRIPTION

Security and Locks

1. General Description S909001

A: COMPONENT S909001A05

1. DOOR LOCK ASSEMBLY S909001A0501



B5M1089A

- | | |
|-----------------------------|-----------------------|
| (1) Inner remote ASSY | (6) Striker |
| (2) Inner remote cover | (7) Door outer handle |
| (3) Bell crank | (8) Key cylinder |
| (4) Auto-door lock actuator | |
| (5) Door latch | |

Tightening torque: N·m (kgf·m, ft·lb)

T1: 6.4 (0.65, 4.7)

T2: 7.35 (0.75, 5.4)

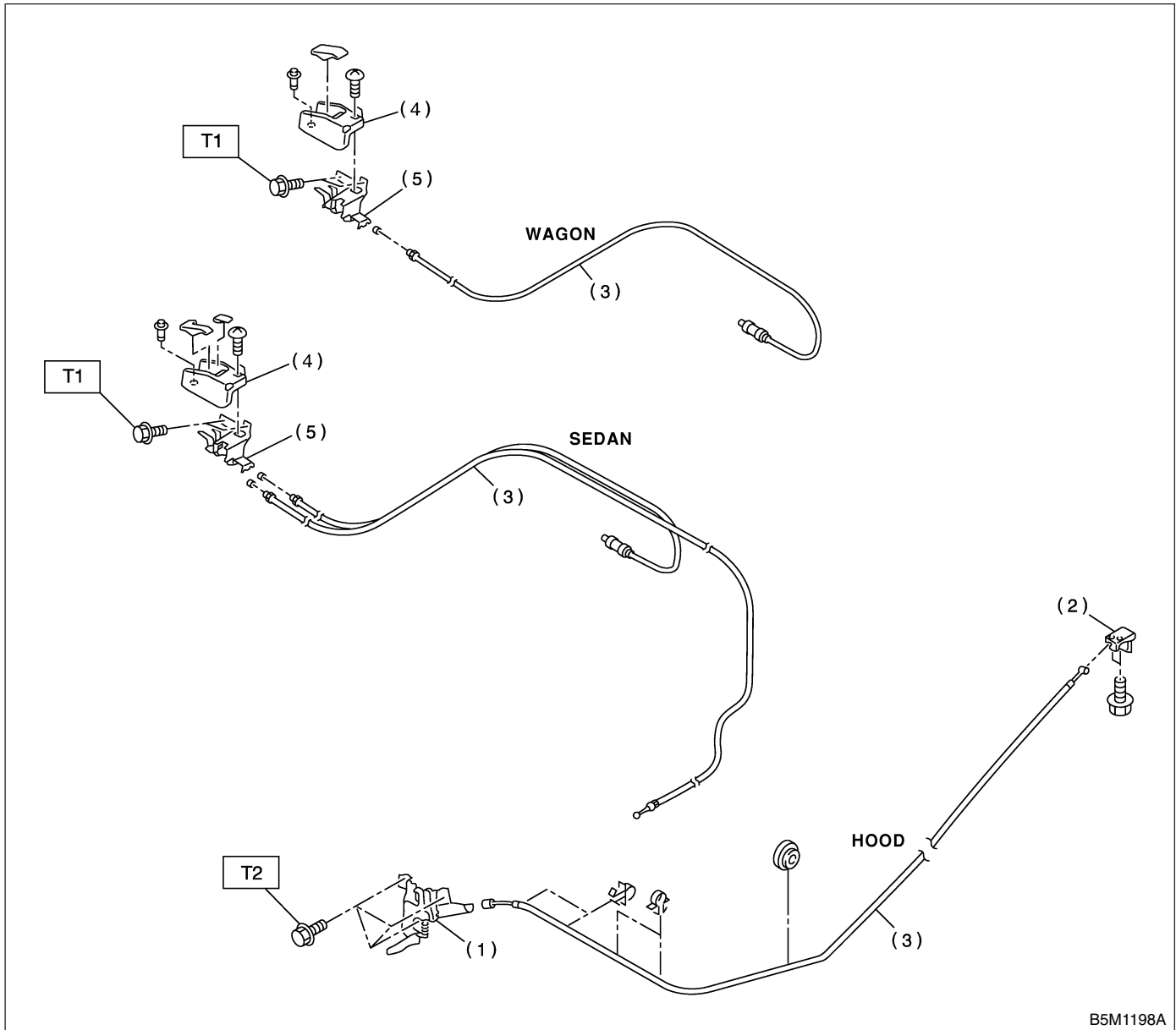
T3: 18 (1.8, 13.0)

GENERAL DESCRIPTION

Security and Locks

3. HOOD LOCK AND REMOTE OPENERS

S909001A0503



- (1) Hood lock ASSY
- (2) Lever ASSY
- (3) Cable
- (4) Cover

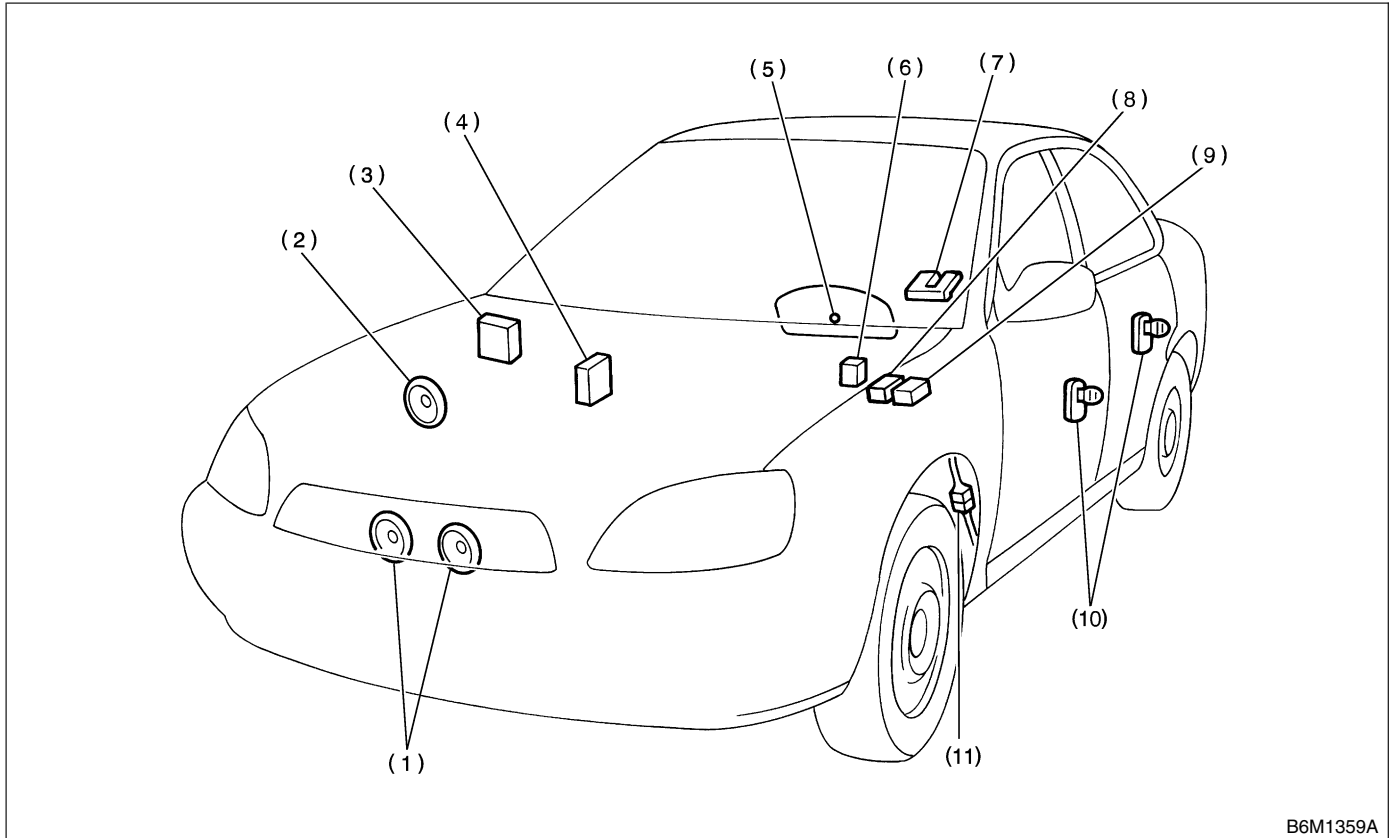
- (5) Pull handle ASSY

Tightening torque: N·m (kgf·m, ft·lb)

T1: 7.4 (0.75, 5.4)

T2: 32 (33, 23.9)

4. SECURITY SYSTEM S909001A0504

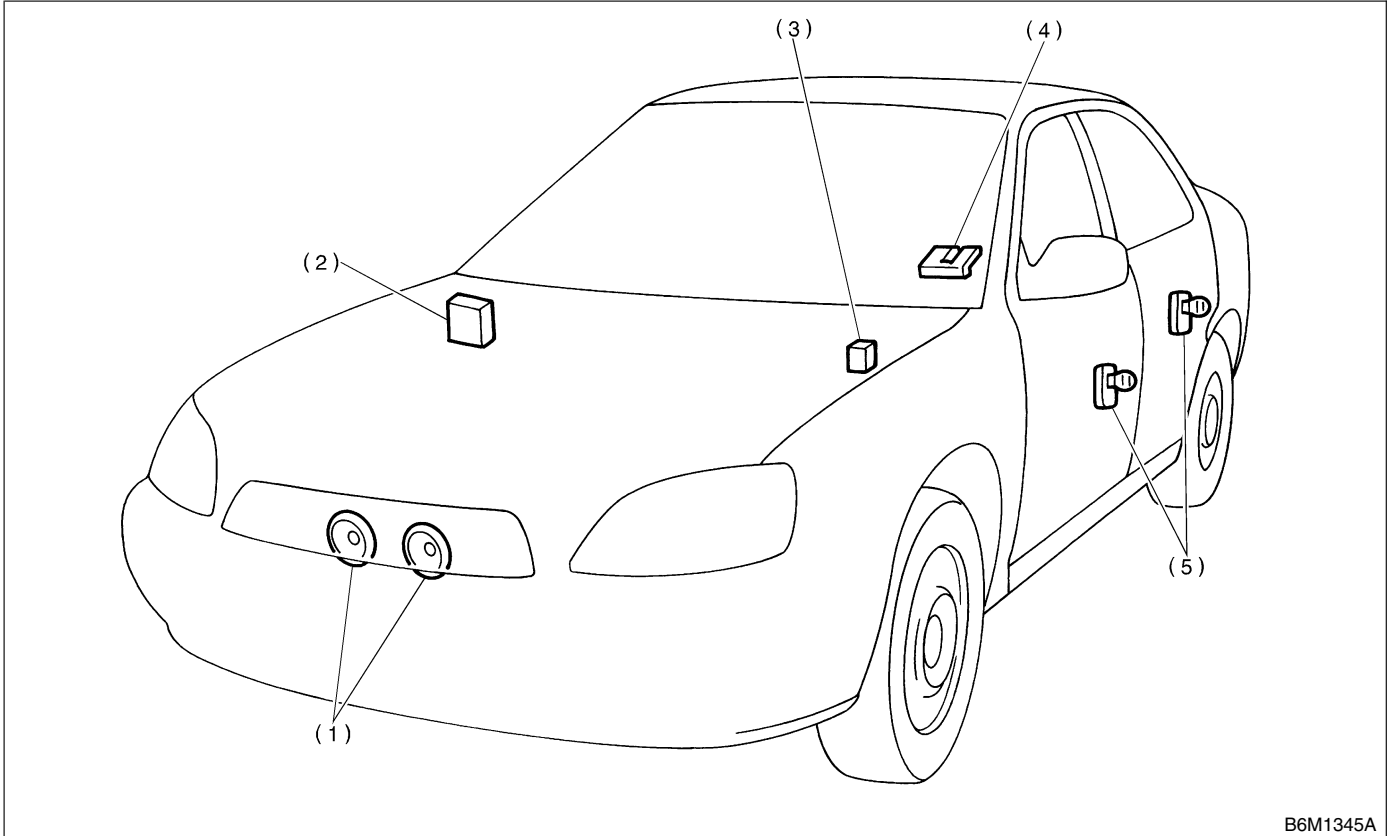


B6M1359A

- | | | |
|---|--|----------------------------|
| (1) Horn | (6) Horn relay (in main fuse box) | (11) Passive arm connector |
| (2) Security horn | (7) Trunk room light switch (Sedan),
rear gate latch switch (Wagon) | |
| (3) Keyless entry control module | (8) Interrupt relay | |
| (4) Security control module | (9) Security horn relay | |
| (5) Security indicator light (in combination meter) | (10) Door switch | |

GENERAL DESCRIPTION

5. KEYLESS ENTRY SYSTEM S909001A0505



B6M1345A

- | | | |
|----------------------------------|-----------------------------------|--|
| (1) Horn | (3) Horn relay (in main fuse box) | (4) Trunk room light switch (Sedan),
rear gate latch switch (Wagon) |
| (2) Keyless entry control module | | (5) Door switch |

B: CAUTION S909001A03

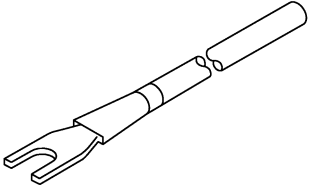
- Before disassembling or reassembling parts, always disconnect battery ground cable. When repairing radio, control module, etc. which are provided with memory functions, record memory contents before disconnecting battery ground cable. Otherwise, these contents are cancelled upon disconnection.
- Reassemble parts in reverse order of disassembly procedure unless otherwise indicated.
- Adjust parts to specifications contained in this manual if so designated.
- Connect connectors and hoses securely during reassembly.
- After reassembly, ensure functional parts operate smoothly.
- Airbag system wiring harness is routed near the electrical parts and switch.
- All airbag system wiring harness and connectors are colored yellow. Do not use electrical test equipment on these circuits.
- Be careful not to damage airbag system wiring harness when servicing the ignition key cylinder.

GENERAL DESCRIPTION

Security and Locks

C: PREPARATION TOOL S909001A17

1. SPECIAL TOOLS S909001A1701

ILLUSTRATION	TOOL NUMBER	DESCRIPTION	REMARKS
 B5M1120	925580000	PULLER	Used for removing trim clip.

2. GENERAL TOOLS S909001A1702

TOOL NAME	REMARKS
Circuit Tester	Used for measuring resistance and voltage.
Drill	Used for replacing ignition key lock.