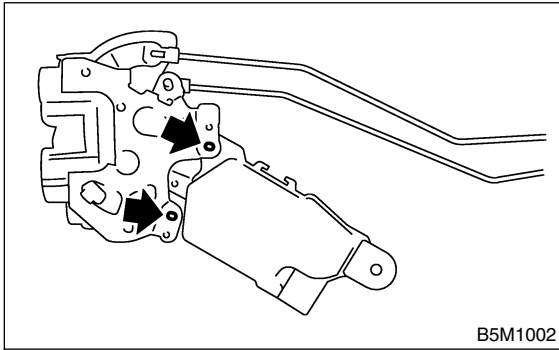


## 12. Rear Door Lock Actuator S909323

### A: REMOVAL S909323A18

- 1) Remove the rear door latch assembly. <Ref. to SL-33, REMOVAL, Rear Door Latch Assembly.>
- 2) Remove the bolt. Remove the rear door lock actuator.



### B: INSTALLATION S909323A11

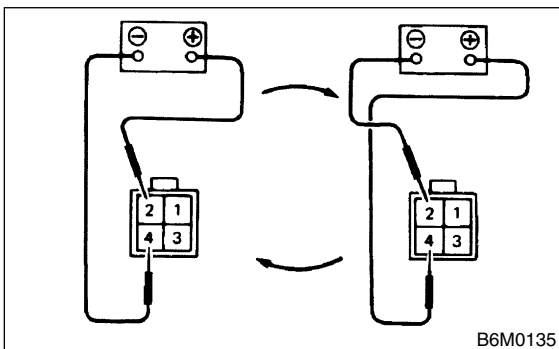
Install in the reverse order of removal.

**NOTE:**

Make sure the lock operates properly after installation.

### C: INSPECTION S909323A10

- 1) Disconnect the door lock actuator harness connector.
- 2) Connect the battery to the door lock actuator terminals.



Terminal No.	Actuator operation
No. 2 (+) and No. 4 (-)	Unlocked → Locked
No. 4 (+) and No. 2 (-)	Locked → Unlocked

If NG, replace the door lock actuator.