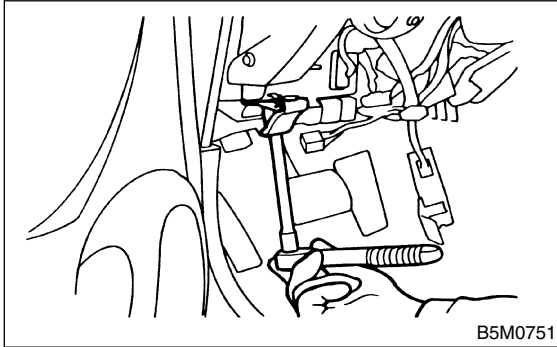


19. Remote Openers S909317

A: REMOVAL S909317A18

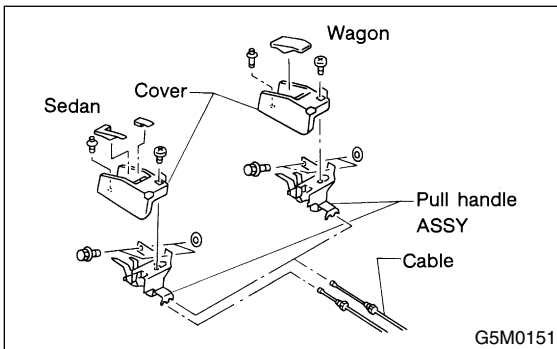
1. HOOD OPENER S909317A1801

- 1) Remove the release cable from the hood lock.
- 2) Remove the bolt. Remove the opener lever.

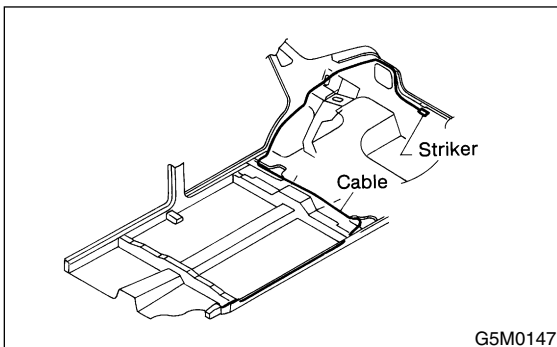


2. TRUNK LID OPENER S909317A1802

- 1) Remove the rear seat. <Ref. to SE-17, REMOVAL, Rear Seat.>
- 2) Remove the center pillar lower trim and side sill cover on the passenger side. Remove the rear pillar lower trim. Pull back the floor mat. Remove the clip holding the cable.
- 3) Remove the bolt. Remove the opener pull handle.

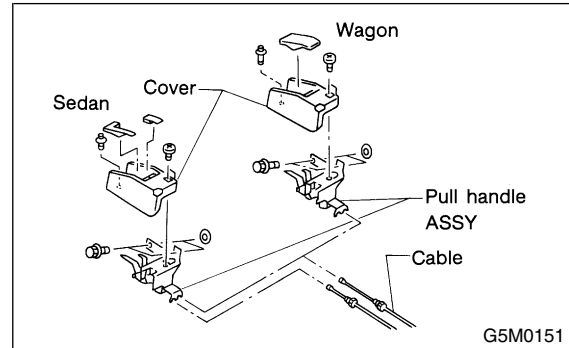


- 4) Remove the cable from the opener pull handle.
- 5) Remove the striker from the trunk lid.
- 6) Remove the cable from the striker.

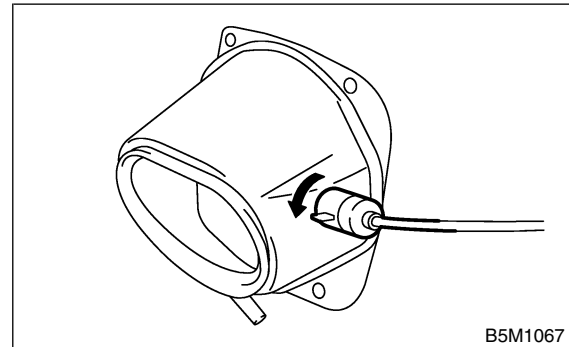


3. FUEL FLAP OPENER S909317A1803

- 1) Remove the rear seat. <Ref. to SE-17, REMOVAL, Rear Seat.>
- 2) Remove the center pillar lower trim and side sill cover on the passenger side. Remove the rear pillar lower trim. Pull back the floor mat. Remove the clip holding the cable.
- 3) Remove the bolt. Remove the opener pull handle.



- 4) Remove the cable from the opener pull handle.
- 5) Remove the right rear quarter trim. <Ref. to EI-44, REMOVAL, Rear Quarter Trim.>
- 6) Rotate the fuel lock inside the quarter panel to left and remove.



B: INSTALLATION S909317A11

1. HOOD OPENER S909317A1101

Install in the reverse order of removal.

2. TRUNK LID OPENER S909317A1102

Install in the reverse order of removal.

3. FUEL FLAP OPENER S909317A1103

Install in the reverse order of removal.

C: INSPECTION S909317A10

Make sure the fuel flap opens and closes smoothly.