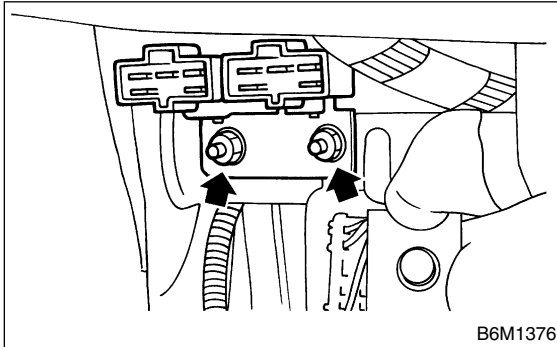


25. Interrupt Relay S909597

A: REMOVAL S909597A18

- 1) Disconnect ground cable from battery.
- 2) Remove the mounting nuts and detach the interrupt relay (near the fuse box).



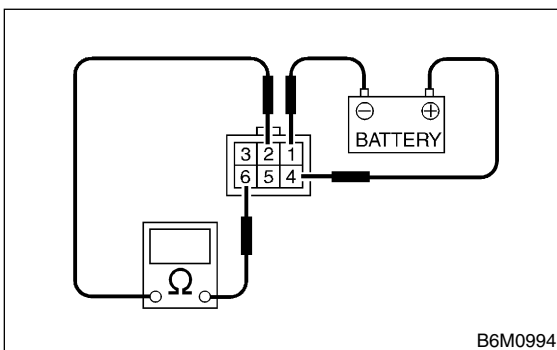
B: INSTALLATION S909597A11

Install in the reverse order of removal.

C: INSPECTION S909597A10

Measure the interrupt relay resistance between terminals (indicated in the table below) while connecting terminal No. 4 to battery positive terminal and terminal No. 1 to battery ground terminal.

Current	Terminal No.	Standard
Flow	2 and 6	Less than 1 Ω
No flow		More than 1 M Ω



If NG, replace the interrupt relay.