

## 5. Sunroof Motor S910537

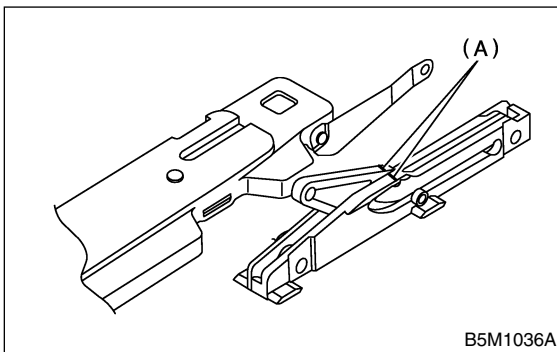
### A: REMOVAL S910537A18

#### CAUTION:

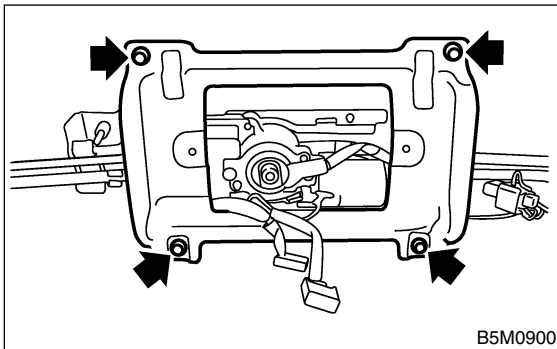
When removing clip, use great care not to damage the roof trim.

#### 1. SEDAN S910537A1801

- 1) Completely close the sunroof.
- 2) Disconnect ground cable from battery.
- 3) Remove sunroof lid. <Ref. to SR-6, SEDAN AND WAGON (REAR), REMOVAL, Sunroof Lid.>
- 4) Confirm the matching mark (A) of sunroof bracket link and the guide from sunroof opening. (If the mark does not match, adjust to match the mark.)



- 5) Remove roof trim. <Ref. to EI-47, REMOVAL, Roof Trim.>
- 6) Remove motor cover.

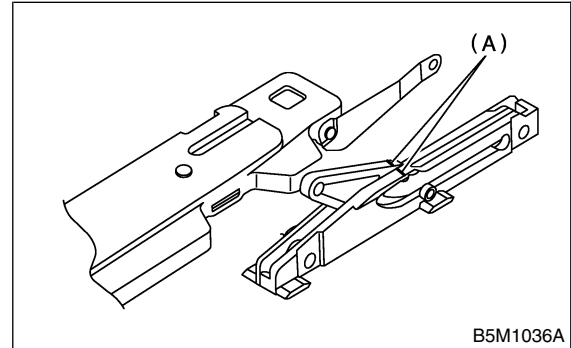


- 7) Disconnect harness connector and remove sunroof motor mounting screw.

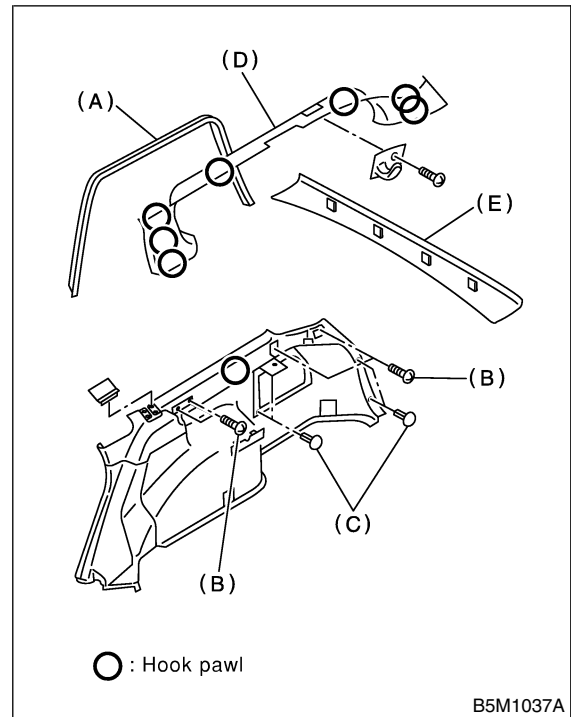
#### 2. WAGON S910537A1802

- 1) Completely close the front and rear sunroof, then tilt-up the front sunroof to the most upper position.
- 2) Disconnect ground cable from battery.
- 3) Remove rear sunroof lid. <Ref. to SR-6, SEDAN AND WAGON (REAR), REMOVAL, Sunroof Lid.>

- 4) Confirm the matching mark (A) of rear sunroof bracket link and the guide from sunroof opening. (If the mark does not match, adjust to match the mark.)



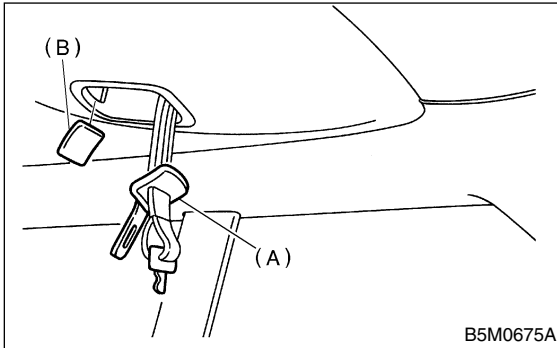
- 5) Remove luggage room light. <Ref. to LI-27, REMOVAL, Luggage Room Light.>
- 6) Remove rear assist grips.
- 7) Remove rear window mole of both sides (A).
- 8) Remove screws (B) and clips (C) of rear quarter lower trim shown in the figure.
- 9) Remove rear quarter upper trim (D) of both sides.
- 10) Remove rear rail trim (E).



# SUNROOF MOTOR

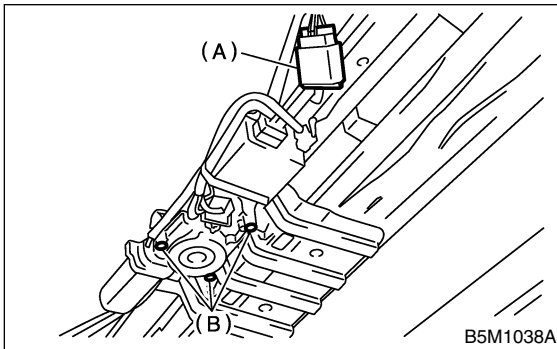
Sunroof/T-top/Convertible Top (Sunroof)

11) Remove cover (B) while detaching snap lock carefully. Put the rear center seat belt tongue (A) out to the other side of the trim through the hole.



12) Remove clips and hang down rear end of roof trim.

13) Disconnect harness connector (A) and remove sunroof motor mounting screw (B).

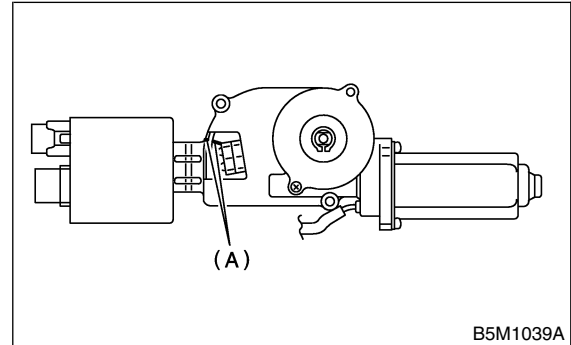


## B: INSTALLATION S910537A11

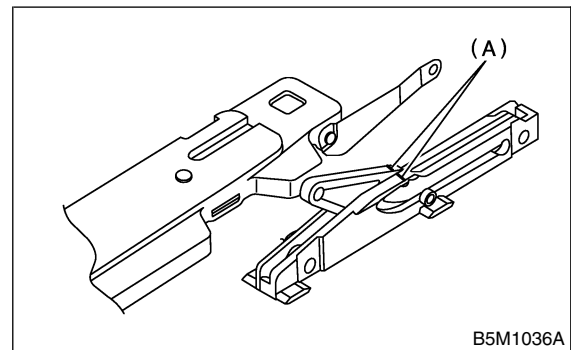
### CAUTION:

- Never rotate the sunroof motor while removed.
- Be careful not to move the sunroof cable when installing sunroof motor.

1) Check the matching mark (A) of sunroof motor.



2) Confirm the matching mark (A) of sunroof bracket link.



3) Install sunroof motor.

4) After installing the motor, reconfirm the matching marks of motor side and sunroof bracket link side.

5) Connect sunroof motor harness connector and then connect battery ground cable.

# SUNROOF MOTOR

Sunroof/T-top/Convertible Top (Sunroof)

6) Check the sunroof operation with the procedure as shown in the table.

## SEDAN

Operation	Switch position
(1) Completely close sunroof.	Closed
(2) Tilt-up sunroof to most upper position.	Up
(3) Lower sunroof completely.	Down
(4) Open sunroof to near the completely open position.	Open
(5) Completely open sunroof.	Open
(6) Close sunroof 150 mm (5.91 in) away from completely closed position.	Closed
(7) Completely close sunroof.	Closed

## WAGON

Operation	Switch position
(1) Completely close front and rear sunroof.	Closed
(2) Tilt-up front sunroof to most upper position.	Open
(3) Open rear sunroof to near the completely open position.	Open
(4) Completely open front and rear sunroof.	Open
(5) Close rear sunroof 150 mm (5.91 in) away from completely closed position.	Closed
(6) Completely close rear sunroof.	Closed
(7) Lower front sunroof and completely close front and rear sunroof.	Closed

7) Install trims in the reverse order of removal.