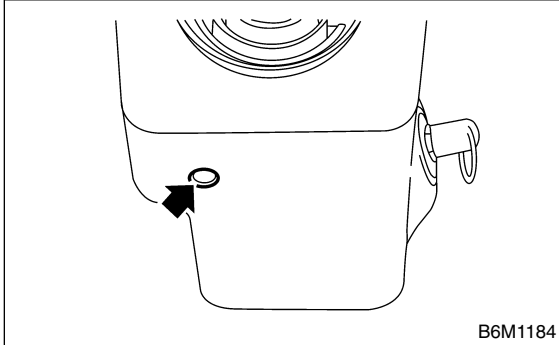


## 3. Combination Switch (Wiper)

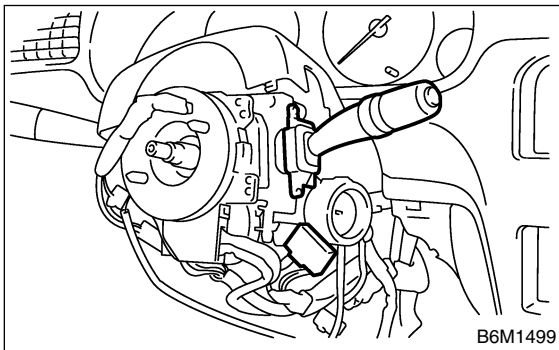
S902395

### A: REMOVAL S902395A18

- 1) Loosen screw to remove a steering column cover.



- 2) Disconnect connectors from combination switch.
- 3) Loosen screw to remove combination switch.

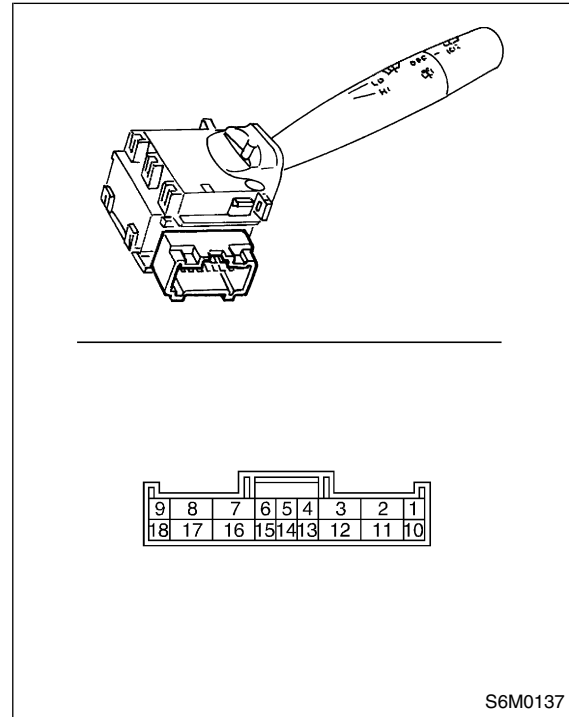


### B: INSTALLATION S902395A11

Install in the reverse order of removal.

### C: INSPECTION S902395A10

- Inspect the continuity between each connector terminal.



|           | Switch position | Terminal No.  | Standard       |
|-----------|-----------------|---------------|----------------|
| FRONT     | OFF             | 7 and 16      | More than 1 MΩ |
|           |                 | 7 and 17      |                |
|           |                 | 8 and 17      |                |
|           |                 | 2 and 11      |                |
|           | INT             | 7 and 16      | Less than 1 Ω  |
| REAR      | Washer ON       | 2 and 10      | Less than 1 Ω  |
|           |                 | 10 and 12     |                |
|           |                 | 2 and 12      |                |
|           | OFF             | 2 and 10      | More than 1 MΩ |
|           | 10 and 12       |               |                |
| ON        | 2 and 10        | Less than 1 Ω |                |
| Washer ON | Washer ON       | 2 and 10      | Less than 1 Ω  |
|           |                 | 10 and 12     |                |
|           |                 | 2 and 12      |                |

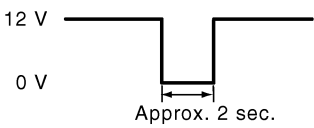
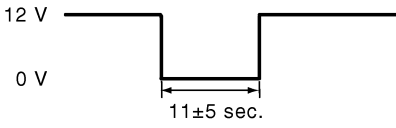
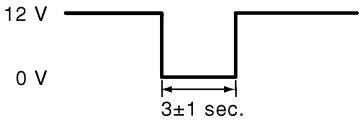
If continuity is not as specified, replace the switch.

# COMBINATION SWITCH (WIPER)

## Wiper and Washer Systems

- Intermittent operation inspection

- 1) Turn the wiper switch to INT.
- 2) Adjust the intermittent control switch to MAX.
- 3) Apply battery voltage to switch terminals 17 and 2, and inspect the voltage of terminals 7 and 2. (Measure the voltage from after the second time the wiper stops.)

| Switch position   | Voltage   |
|-------------------|---|
| MIN.              |  <p>12 V<br/>0 V<br/>Approx. 2 sec.</p> |
| MAX.              |  <p>12 V<br/>0 V<br/>11±5 sec.</p>      |
| Non-variable type |  <p>12 V<br/>0 V<br/>3±1 sec.</p>       |

B6M1465A

If operation is not as specified, replace the switch.