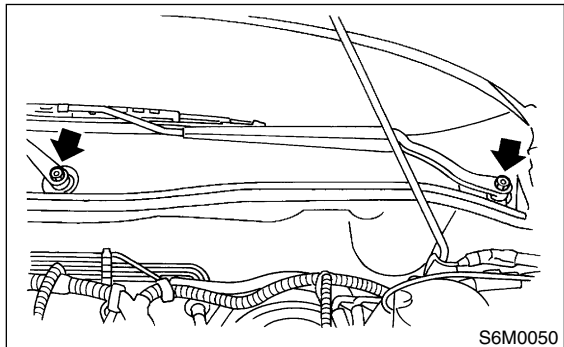


6. Front Wiper Arm S902404

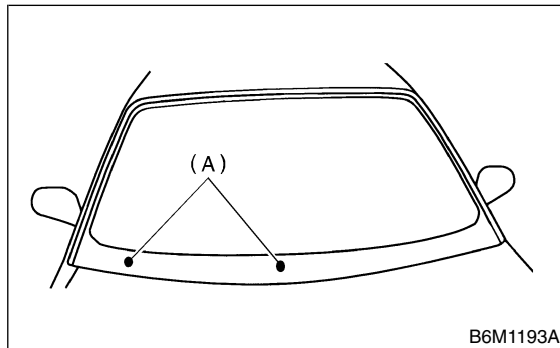
A: REMOVAL S902404A18

- 1) Open hood.
- 2) Remove cap.
- 3) Loosen nut to remove arm.



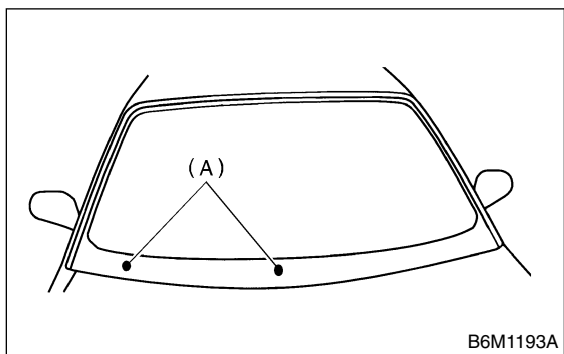
C: ADJUSTMENT S902404A01

Operate wiper once. Align wiper blade to ceramic print point mark (A) of front window pane.



B: INSTALLATION S902404A11

- 1) Install in the reverse order of removal.
- 2) Operate wiper once.
- 3) Align wiper blade to ceramic print point mark (A) of front window pane.



Tightening torque:

Refer to COMPONENT in General Description. <Ref. to WW-2, FRONT WIPER, COMPONENT, General Description.>