

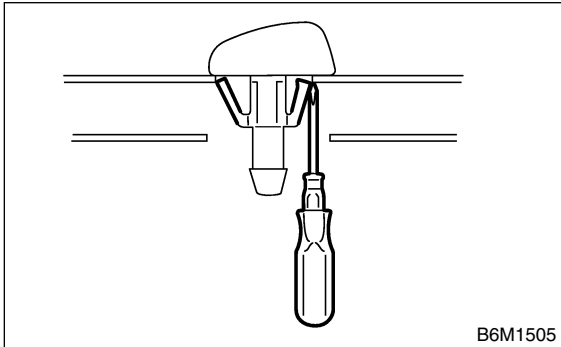
FRONT WASHER NOZZLE

Wiper and Washer Systems

8. Front Washer Nozzle S902788

A: REMOVAL S902788A18

- 1) Remove the washer hose from the washer nozzle.
- 2) Open the clips on the underside of the hood with a slot-type screwdriver or other tool, and remove the washer nozzle.



B: INSTALLATION S902788A11

- 1) Install in the reverse order of removal.
- 2) Adjust the position of the washer liquid sprayer.
<Ref. to WW-14, ADJUSTMENT, Front Washer Nozzle.>

C: INSPECTION S902788A10

- Make sure the nozzle and hose are not clogged.
- Make sure the hose is not bent.

D: ADJUSTMENT S902788A01

- 1) Turn wiper switch to OFF position.
- 2) When vehicle stops, adjust washer injection position as shown in the figure.

Injection position:

A: 300 mm (11.81 in)

B: 100 mm (3.94 in)

C: 200 mm (7.87 in)

