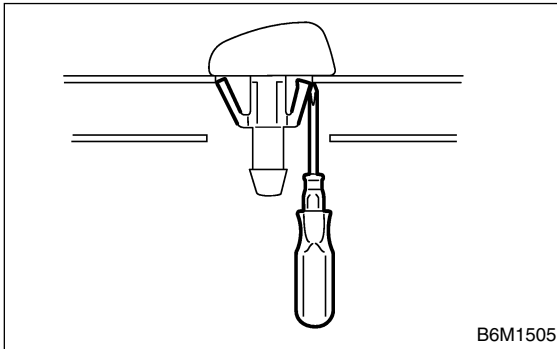


11. Rear Washer Nozzle S902789

A: REMOVAL S902789A18

- 1) Remove the high-mounted stop light. <Ref. to LI-24, REMOVAL, High-mounted Stop Light.>
- 2) Remove the washer hose from the washer nozzle.
- 3) Open the clips on the underside of the hood with a slot-type screwdriver or other tool, and remove the washer nozzle.



B: INSTALLATION S902789A11

- 1) Install in the reverse order of removal.
- 2) Adjust the position of the washer liquid sprayer. <Ref. to WW-17, ADJUSTMENT, Rear Washer Nozzle.>

C: INSPECTION S902789A10

- Make sure the nozzle and hose are not clogged.
- Make sure the hose is not bent.

D: ADJUSTMENT S902789A01

- 1) Turn wiper switch to OFF position.
- 2) When vehicle stops, adjust washer injection position as shown in the figure.

Injection position:

A: 60 mm (2.36 in)

B: 42°

