

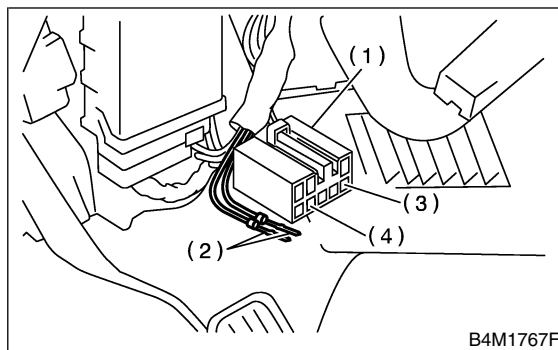
9. Clear Memory Mode S006513

A: OPERATION S006513A16

1. WITHOUT SUBARU SELECT MONITOR

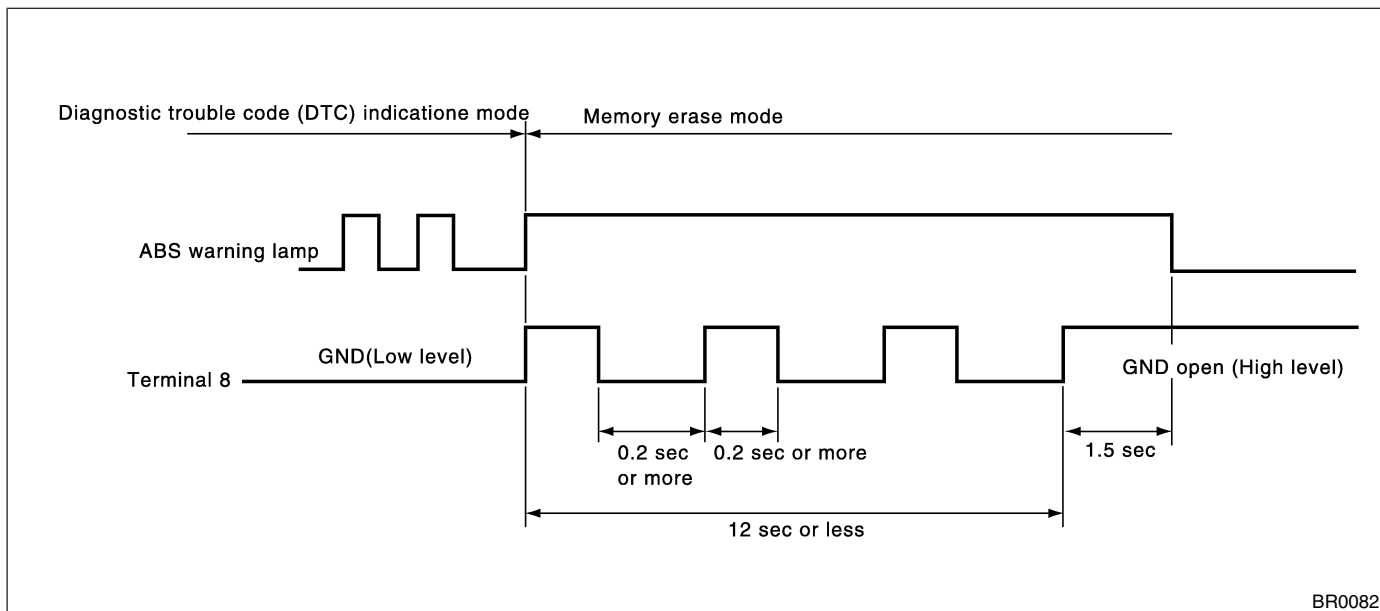
S006513A1602

1) After calling up a diagnostic trouble code (DTC), disconnect diagnosis connector terminal 8 from diagnosis terminal.



- (1) Diagnosis connector
- (2) Diagnosis terminal
- (3) Terminal 8
- (4) Terminal 5

2) Repeat 3 times within approx. 12 seconds; connecting and disconnecting terminal 8 and diagnosis terminal for at least 0.2 seconds each time.



NOTE:

After diagnostics is completed, make sure to clear memory. Make sure only start code (11) is shown after memory is cleared.

2. WITH SUBARU SELECT MONITOR S006513A1601

Refer to SUBARU SELECT MONITOR for information about how to clear diagnostic trouble code (DTC).
<Ref. to ABS-16, Subaru Select Monitor.>